

Products Special for Photovoltaic Industry



Vacuum Solutions Supplier

www.airbest.com

AIRBEST
Make Smart Go Together

Products Special for Photovoltaic industry



Products overview

Vacuum Generators

01 AZK Series

Integrated Vacuum Generator

- ◇ Max.vacuum level: -91kPa
- ◇ Max.vacuum flow: 68NL/min



ELECTRONICS PACKAGING PLASTIC



RoHS

08 AMC Series

Multistage Vacuum Generator

- ◇ Max.vacuum level: -95kPa
- ◇ Max.vacuum flow: 1,650NL/min



METAL SHEET PACKAGING WOOD COMPOSITE MATERIAL



RoHS

14 AM/AL/AH Series

Multistage Vacuum Generator

- ◇ Max.vacuum level: -100.8kPa
- ◇ Max.vacuum flow: 1,230NL/min



METAL SHEET PACKAGING WOOD COMPOSITE MATERIAL



RoHS

22 ABM/ABX Series

Mini Vacuum Generator

- ◇ Max.vacuum level: -92kPa
- ◇ Max.vacuum flow: 220NL/min



METAL SHEET PACKAGING PLASTIC



28 AZH Series

Basic Vacuum Generator

- ◇ Max.vacuum level: -88kPa
- ◇ Max.vacuum flow: 85NL/min



UNIVERSAL



RoHS

Vacuum Cups

34 SZ Series

Standard Suction Cup

- ◇ Diameter: 2-50mm
- ◇ Material: N WS CN CS HP



ELECTRONICS



RoHS

37 SFT Series

Flat Suction Cup Special for Plastic Film and Paper

- ◇ Diameter: 15-40mm
- ◇ Material: WS HD NR



PAPER PLASTIC BAG SOLAR ANTI-DEFORMATION



RoHS

Products Special for Photovoltaic industry



Products overview

Vacuum Cups

45 SPA Series

Thin Lip Flat Suction Cup

- ◇ Diameter: 10-50mm
- ◇ Material: N WS CN CS



PAPER ANTI-DEFORMATION



RoHS

54 SPJ Series

Bellows Suction Cup

- ◇ Diameter: 4-80mm
- ◇ Material: N WS CN CS HP



PACKAGING PLASTIC



RoHS

Special Vacuum Grippers

63 SNT Series

Non-contact Suction Cup

- ◇ Dia.: 20~100mm
- ◇ Suction force: 2~46N



COMPOSITE POROUS MATERIAL



65 SLW Series

Wafer Gripper

- ◇ Vacuum level: 4.5~11kPa
- ◇ Vacuum flow: 330~490NL/min



NEW ENERGY COMPOSITE MATERIAL POROUS



RoHS

Mounting Parts

69 PSPE Series

Small and Light Level Compensator

- ◇ Connection thread: M5 M8
- ◇ Buffer stroke: 6~50mm



ELECTRONICS



RoHS

73 PSPL Series

Retractive Level Compensator

- ◇ Connection thread: M5
- ◇ Buffer stroke: 3~20mm



ELECTRONICS



RoHS

Vacuum Accessories

75 ZFB Series

Universal Vacuum Filter

- ◇ Nominal flow: 150-510NL/min
- ◇ Removal efficiency: 10 μ m



UNIVERSAL



AZK Series

Integrated Vacuum Generator

AIRBEST

RoHS

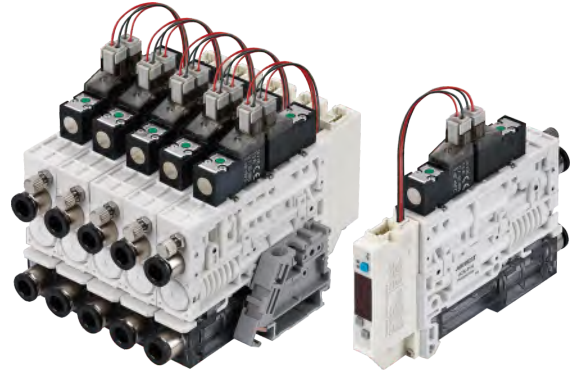


Features

- ◇ Energy-efficient nozzle design
- ◇ With energy-saving control device
- ◇ With normally open vacuum supply valve
- ◇ Small size and light weight. The volume is 85cm³
- ◇ Transparent filter housing
- ◇ Single body with L bracket, DIN guide rail installation for integrated body, centralized air supply

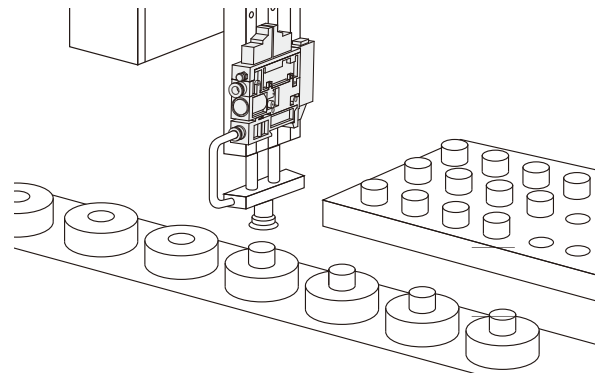
Advantages

- ◇ Vacuum flow increased by 50% and air consumption decreased by 30%
- ◇ Air consumption reduced by 90%(compared with non-energy saving type)
- ◇ Power outage or power off does not affect vacuum producing and prevent the workpiece from falling
- ◇ The device is compact and can be installed directly in the handling system
- ◇ The cleanliness is visible and easy to replace
- ◇ Simple installation, can be installed directly on the distribution box



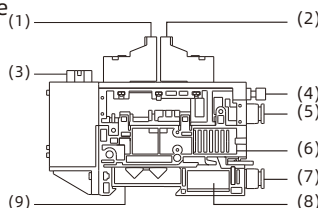
Applications

- ◇ Integrated vacuum generator for handling airtight and slightly porous workpieces
- ◇ Vacuum producing and monitoring in automation systems
- ◇ For robot handling applications and linear axes
- ◇ Pick and place applications with very short time
- ◇ Used for systems that require high dynamic handling of workpieces and with limited space
- ◇ Usually used for handling small parts in fully automated systems



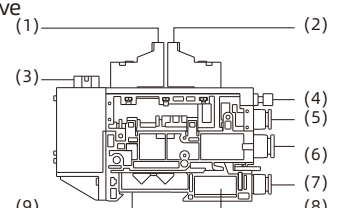
Structure - With vacuum source type (Vacuum generator type)

- ◇ (1) Vacuum supply valve
- ◇ (2) Vacuum release valve
- ◇ (3) Vacuum pressure switch
- ◇ (4) Vacuum release adjusting valve
- ◇ (5) Air supply port
- ◇ (6) Silencer
- ◇ (7) Vacuum port
- ◇ (8) Vacuum filter
- ◇ (9) DIN guide rail installation



Structure - Without vacuum source type (Vacuum pump type)

- ◇ (1) Vacuum supply valve
- ◇ (2) Vacuum release valve
- ◇ (3) Vacuum pressure switch
- ◇ (4) Vacuum release adjusting valve
- ◇ (5) Air supply port
- ◇ (6) Vacuum pump connector
- ◇ (7) Vacuum port
- ◇ (8) Vacuum filter
- ◇ (9) DIN guide rail installation



AZK Series

Integrated Vacuum Generator

How to order

AZK - S × 8 - NO - N - D
 ① ② ③ ④ ⑤ ⑥

① Series	② Specification	③ Stack	④ Control valve specification
AZK	S - Low vacuum level type	Nil - Single body	Nil - Supply valve NC + release valve NC
	X - High vacuum level type	2	NO - Supply valve NO + release valve NC
	P - Low air supply pressure and high vacuum level type	3	(lead wire length 300mm, power supply DC24V)
	L - Large flow type	
	B - Vacuum pump type	8	

⑤ Vacuum switch	⑥ Bracket
Nil - Without vacuum switch	Nil - Single air supply, without bracket
N - NPN, without energy saving function	F - Single air supply, with bracket(single body)
P - PNP, without energy saving function	D - Single air supply, guide rail installation(integrated)
NE - NPN, with energy saving function	DP - Centralized air supply, guide rail installation(integrated)
PE - PNP, with energy saving function	

- ◇ Note: 1. Only NE/PE are with check valve for energy saving, others are without check valve
 2. Energy saving function is not optional for L-large flow type and B-Vacuum pump type
 3. Centralized air supply is not optional for B-Vacuum pump type

Technical parameters

Model	Air supply pressure range bar	Rated air supply pressure bar	Max. vacuum level -kPa	Max. vacuum flow NL/min	Max. break flow rate NL/min	Air consumption NL/min	Noise level dB(A)	Weight g		Recommended hose dia.(mm)		
								Without pressure switch	With pressure switch	Air supply port P	Vacuum pump connector	Vacuum port V
AZK-S	3.0~6.0	6.0	74	44	60	26	64~68	88.5	102.5	φ6	-	φ6
AZK-X	3.0~6.0	5.0	91	41	54	29	64~68	88.5	102.5	φ6	-	φ6
AZK-P	3.0~6.0	3.7	88	40	46	32	64~68	88.5	102.5	φ6	-	φ6
AZK-L	3.0~6.0	5.0	90	68	48	85	74~80	102	114	φ6	-	φ8
AZK-B	3.0~6.0	-	-	35	-	-	-	101.5	113.5	φ4	φ6	φ6

- ◇ Note: 35NL/min is the max. allowed passing flow of AZK-B, AZK-L external silencer

AZK Series

Integrated Vacuum Generator

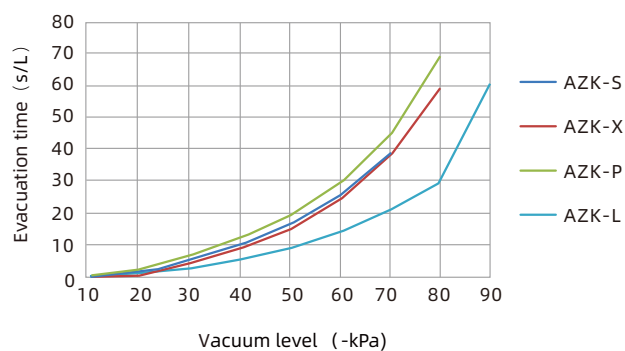
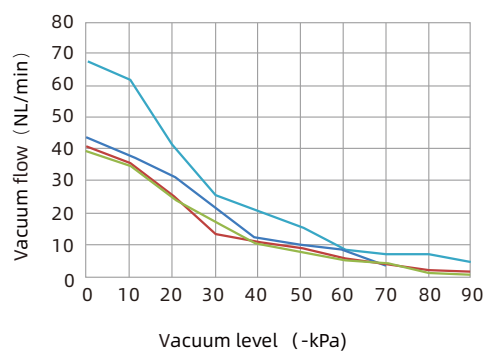


Vacuum flow(NL/min) at different vacuum levels(-kPa)

Model	Air supply pressure bar	Air consumption NL/min	0	10	20	30	40	50	60	70	80	90	Max. vacuum level -kPa
AZK-S	6.0	26	44.0	38.0	32.0	22.0	12.0	10.0	8.5	4.0	-	-	74
AZK-X	5.0	29	41.0	36.0	26.0	13.7	11.0	9.3	6.6	4.6	2.7	2.0	91
AZK-P	3.7	32	40.0	35.0	25.2	17.7	10.9	8.0	5.6	4.2	1.5	1.0	88
AZK-L	5.0	85	68.0	62.0	42.0	26.0	20.6	16.2	9.0	7.2	7.2	5.0	90

Evacuation time(s/L) to reach different vacuum levels(-kPa)

Model	Air supply pressure bar	Air consumption NL/min	10	20	30	40	50	60	70	80	90	Max. vacuum level -kPa
AZK-S	6.0	26	0.01	0.19	0.50	1.02	1.72	2.60	3.88	-	-	74
AZK-X	5.0	29	0.02	0.14	0.47	0.96	1.56	2.50	3.87	6.00	-	91
AZK-P	3.7	32	0.05	0.30	0.71	1.26	1.95	2.97	4.49	6.95	-	88
AZK-L	5.0	85	0.06	0.16	0.33	0.60	0.95	1.43	2.14	3.03	6.16	90



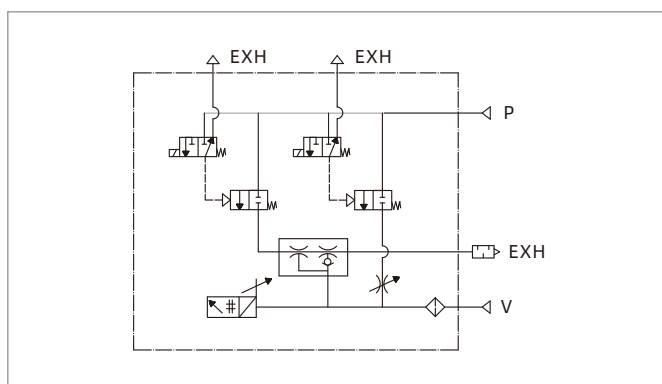
AZK Series

Integrated Vacuum Generator

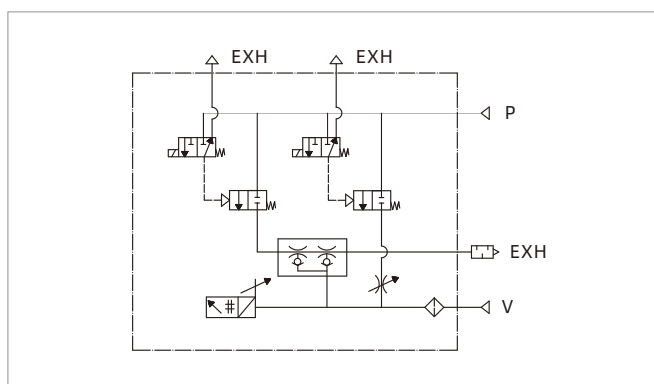
Technical parameters - Pressure switch

Model	ZPDC-□	ZPDC-□-E
Pressure range	-100~100kPa	-100~100kPa
Setting pressure range	-105~105kPa	-105~105kPa
Proof pressure	500kPa	500kPa
General gas	Air, Non-corrosive, non flammable gas	Air, Non-corrosive, non flammable gas
Power supply voltage	24V DC±10%, RIPPLE (P-P) 10% or less	24V Dc±10%, RIPPLE(P-P)10%or less
Current consumption	≤40mA(Without load)	≤40mA (Without load)
Switch output Output mode	2NPN or 2PNP open collector output+1~5V linear analog output	1NPN or 1PNP open collector output
Max. load current	125mA	125mA
Max. supply voltage	30V DC (NPN) 24V DC (PNP)	24V DC
Residual voltage	≤1.5V	≤1.5V
Response time	≤2.5ms (chattering-proof function: 25ms, 100ms, 250ms, 500ms, 1000ms, 1500ms selectable)	≤2.5ms (chattering-proof function: 2.5ms, 20ms, 100ms, 500ms, 1000ms, 1999ms selectable)
Output short circuit protection	Yes	OUT switch:Yes;V-Sol/D-Sol:No
Repeatability	±0.2%F.S.±1 digit	
Display	3½LED 7 segment display (Red) display (Sampling rate: 5 times/sec)	
Indicator accuracy	±2% F.S. ±1 digit	
Switch ON indicator	OUT1:Green/OUT2:Red	
Environmental resistance IP Grade	IP40	
Ambient temp.range	Operation: 0~50°C	
Withstand voltage	1000VAC in 1minute (between case and lead wire)	
Insulation resistance	50MΩ min. (at 500V DC, between case and lead wire)	
Temperature characteristic	±2%F.S. (at temperature range of 0~50°C)	
Lead wire	Oil proof PVC cable (0.15mm ²)	

Air circuit schematic diagram



AZK-□-N AZK-□-P



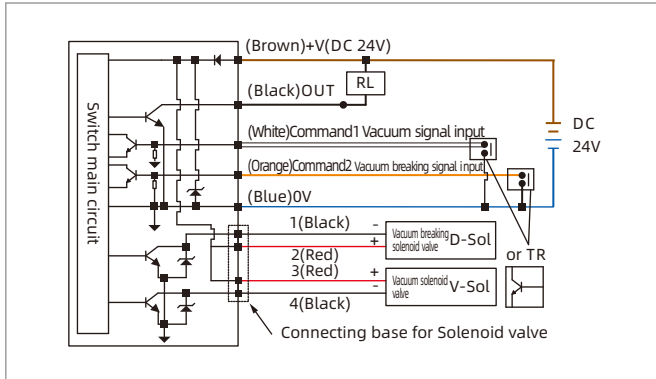
AZK-□-NE AZK-□-PE

AZK Series

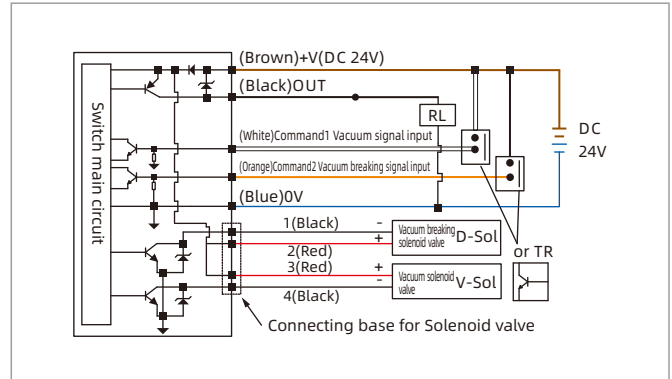
Integrated Vacuum Generator



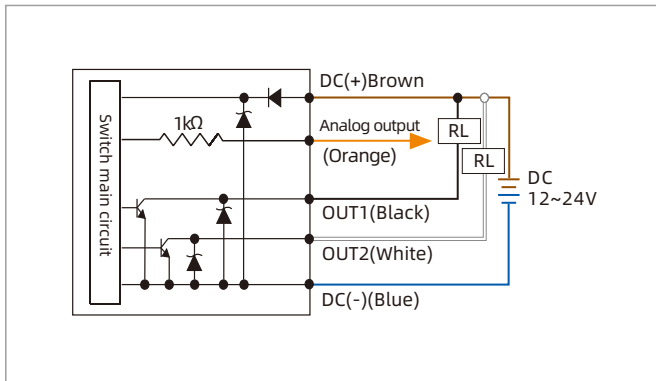
Output circuit wiring diagrams



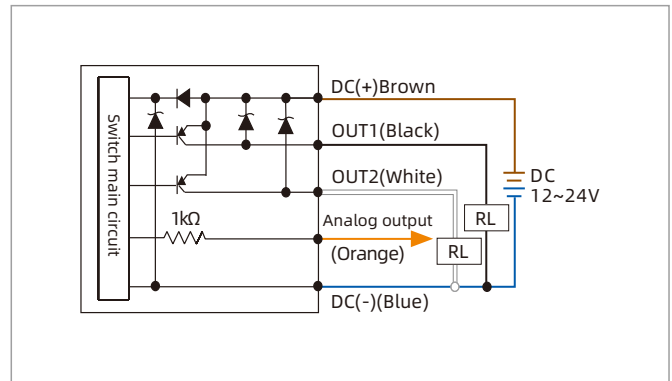
ZPDC-N-E NPN output



ZPDC-P-E PNP output

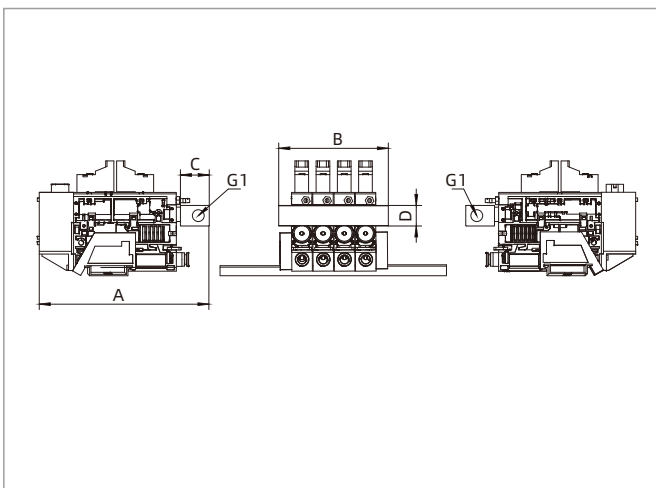


ZPDC-N 2NPN+1 Analog voltage output(1~5V)



ZPDC-P 2PNP+1 Analog voltage output(1~5V)

Centralized air supply dimensions(mm)



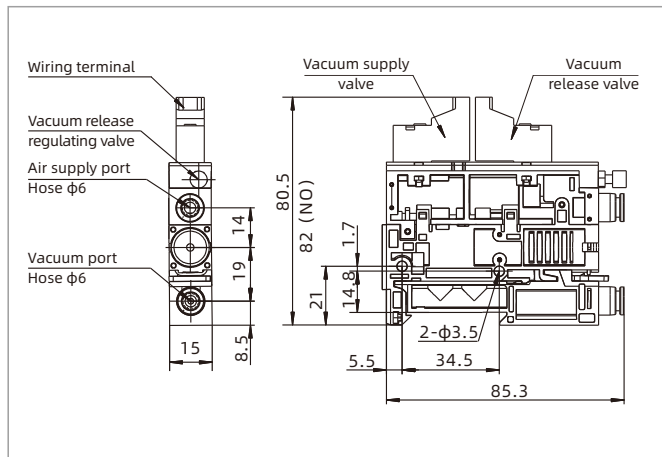
Stack	A	B	C	D	G1
2	124	49	21	15	G1/8
3	124	64.5	21	15	G1/8
4	124	80	21	15	G1/8
5	124	95.5	21	15	G1/8
6	124	111	21	15	G1/8
7	124	126.5	21	15	G1/8
8	124	142	21	15	G1/8

Max.number of manifold stations that can operate simultaneously	AZK-X	AZK-P	AZK-S	AZK-L
Air supply from one side	6	6	6	4
Air supply from both sides	8	8	8	8

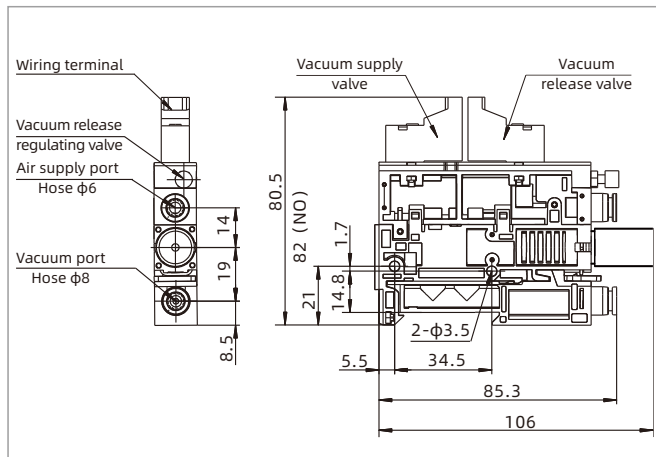
AZK Series

Integrated Vacuum Generator

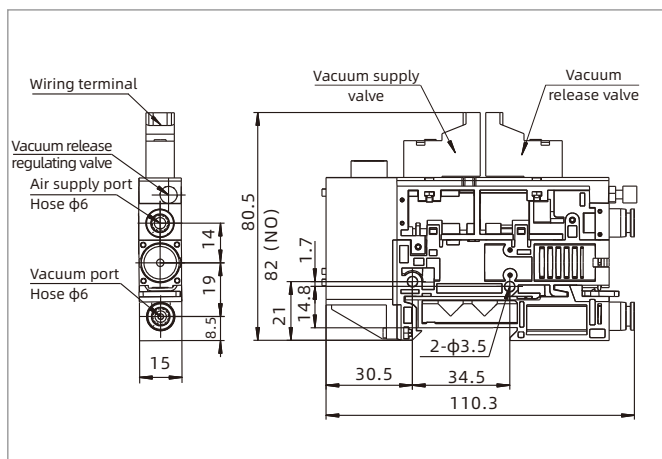
Dimensions(mm)



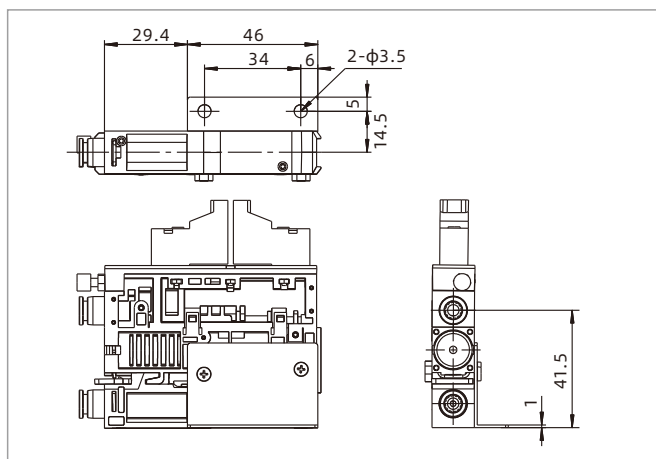
AZK-□ Single body



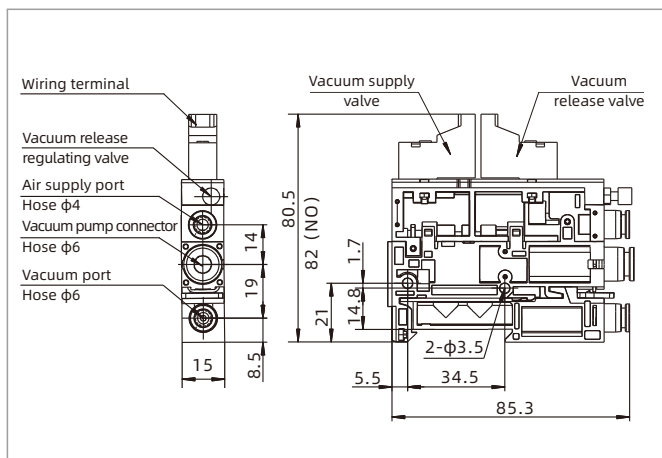
AZK-L Single body



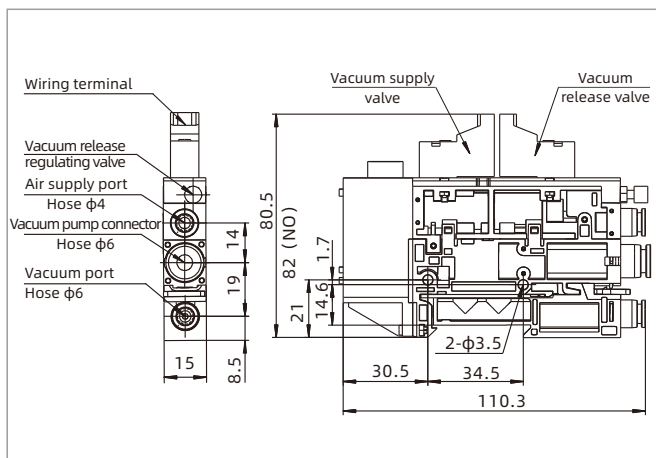
AZK-□-□ Single body with pressure switch



AZK-□-F Single body with mounting bracket



AZK-B Single body

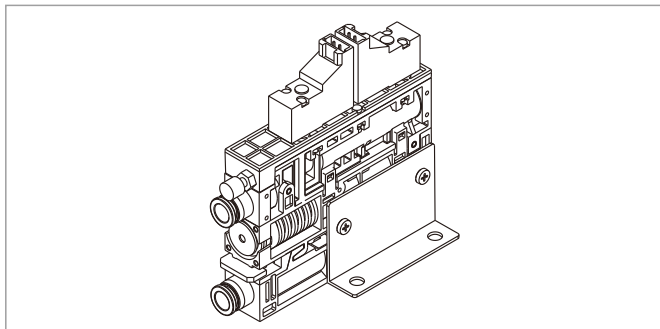


AZK-B-□ Single body with pressure switch

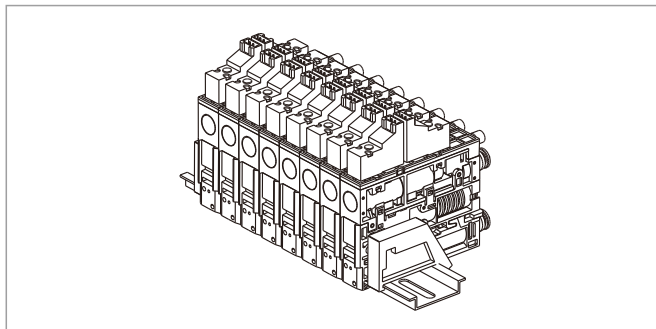
AZK Series

Integrated Vacuum Generator

Installation diagram

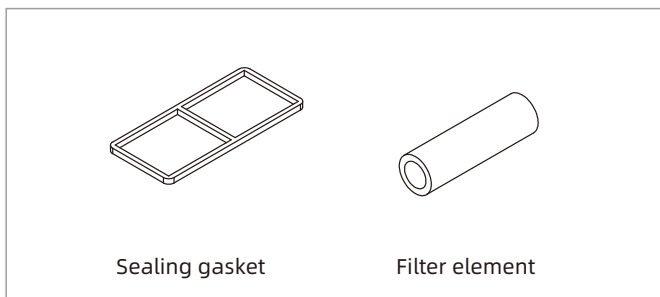


Mounting with bracket for single body



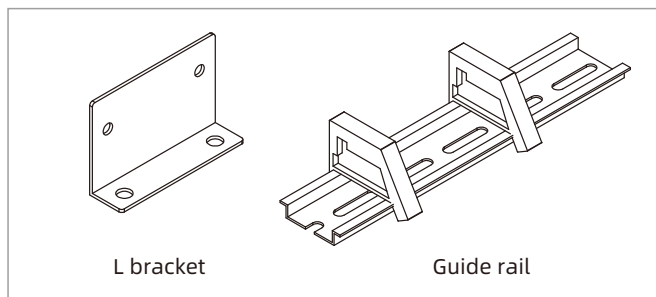
Mounting with DIN guide rail for combined type

Repair kits



Sealing gasket

Filter element



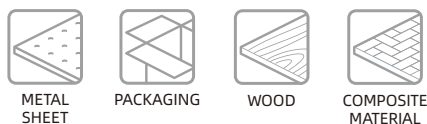
L bracket

Guide rail

Item	Model	Remark
Filter parts	AZK-FE	Filter element + sealing gasket
Solenoid valve leadwire	AZK-N	Plug lead wire length 300mm
Energy-saving leadwire	AZK-NE	Ends lead wire
Bracket mounting parts	AZK-F	L bracket+M3.5x20screw/nut(2 pcs each)
Guide rail mounting parts(2-3 layers)	AZK-2-D	Length 130mm
Guide rail mounting parts(4-5 layers)	AZK-4-D	Length 165mm
Guide rail mounting parts(6-7 layers)	AZK-6-D	Length 200mm
Guide rail mounting parts(8 layers)	AZK-8-D	Length 235mm

AMC Series

Multistage Vacuum Generator



Features

- ◇ High efficient and energy-saving multistage nozzle design
- ◇ Large vacuum flow
- ◇ Internal vacuum cartridges can be stacked assembly
- ◇ Various specifications of air supply port and vacuum port
- ◇ Energy-saving control device is optional

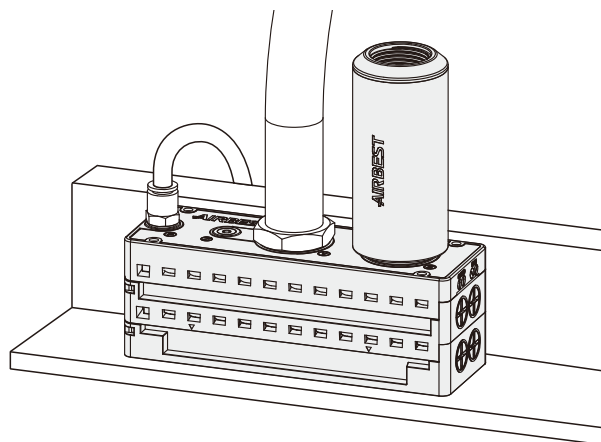
Advantages

- ◇ Quick evacuation in low vacuum level range, reduce cost and shorten working cycle
- ◇ Producing large vacuum flow to handle porous workpieces fast and safely
- ◇ It can meet different requirements of vacuum flow in different working conditions
- ◇ It can be connected with different threads
- ◇ It is energy-saving when handling airtight workpieces



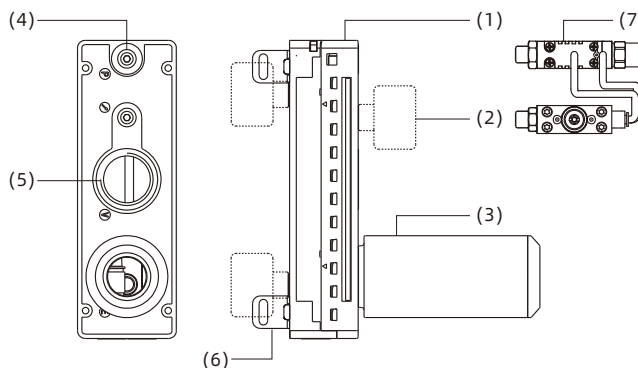
Applications

- ◇ The multistage vacuum generator is suitable for handling cartons, packaging materials and porous materials
- ◇ It is used in the working condition requiring large vacuum flow, fast evacuation speed and less air consumption



Structure

- ◇ (1) Main body
- ◇ (2) Vacuum gauge
- ◇ (3) Silencer
- ◇ (4) Air supply port
- ◇ (5) Vacuum port
- ◇ (6) L-type mounting bracket
- ◇ (7) ES energy saving system



AMC Series

Multistage Vacuum Generator

How to order

AMC 25 L - AA - V - ES
 ① ② ③ ④ ⑤ ⑥

Series	Specification	Performance	④ Connection plate	⑤ Non-return valve	⑥ Control device
AMC	25	H - High vacuum level (-95kPa)	AA	Nil - Default, without non-return valve	Nil - Default, Without control device ES - Energy saving system
	50		BA		
	75	L - Large vacuum flow (-75kPa)	CA	V - With non-return valve	
	100		DB		
	125		CC		
	150				

Connection plate specifications

Connection plate	Air supply port ⁽¹⁾	Vacuum port ⁽²⁾	Exhaust port ⁽³⁾	Applicable vacuum generator
AA	G1/8	G3/4	G1"	AMC25, 50
BA	NPSF1/8	G3/4	G1"	AMC25, 50
CA	G1/4	G3/4	G1"	AMC25, 50, 75, 100
DB	NPT1/4	NPT3/4	G1"	AMC25, 50, 75, 100
CC	G1/4	G1"	G1"	AMC25, 50, 75, 100, 125, 150

Selection - L (Large Vacuum flow type)

Model/ Specification	25	50	75	100	125	150
AMC□L-AA	AMC25L-AA	AMC50L-AA	-	-	-	-
AMC□L-AA-V	AMC25L-AA-V	AMC50L-AA-V	-	-	-	-
AMC□L-AA-V-ES	AMC25L-AA-V-ES	AMC50L-AA-V-ES	-	-	-	-
AMC□L-BA	AMC25L-BA	AMC50L-BA	-	-	-	-
AMC□L-BA-V	AMC25L-BA-V	AMC50L-BA-V	-	-	-	-
AMC□L-CA	AMC25L-CA	AMC50L-CA	AMC75L-CA	AMC100L-CA	-	-
AMC□L-CA-V	AMC25L-CA-V	AMC50L-CA-V	AMC75L-CA-V	AMC100L-CA-V	-	-
AMC□L-CA-V-ES	-	-	AMC75L-CA-V-ES	AMC100L-CA-V-ES	-	-
AMC□L-DB	AMC25L-DB	AMC50L-DB	AMC75L-DB	AMC100L-DB	-	-
AMC□L-DB-V	AMC25L-DB-V	AMC50L-DB-V	AMC75L-DB-V	AMC100L-DB-V	-	-
AMC□L-CC	AMC25L-CC	AMC50L-CC	AMC75L-CC	AMC100L-CC	AMC125L-CC	AMC150L-CC
AMC□L-CC-V	AMC25L-CC-V	AMC50L-CC-V	AMC75L-CC-V	AMC100L-CC-V	AMC125L-CC-V	AMC150L-CC-V
AMC□L-CC-V-ES	AMC25L-CC-V-ES	AMC50L-CC-V-ES	AMC75L-CC-V-ES	AMC100L-CC-V-ES	AMC125L-CC-V-ES	AMC150L-CC-V-ES

AMC Series

Multistage Vacuum Generator

Selection - H (High vacuum level type)

Model/ Specification	25	50	75	100	125	150
AMC□H-AA	AMC25H-AA	AMC50H-AA	-	-	-	-
AMC□H-AA-V	AMC25H-AA-V	AMC50H-AA-V	-	-	-	-
AMC□H-AA-V-ES	AMC25H-AA-V-ES	AMC50H-AA-V-ES	-	-	-	-
AMC□H-BA	AMC25H-BA	AMC50H-BA	-	-	-	-
AMC□H-BA-V	AMC25H-BA-V	AMC50H-BA-V	-	-	-	-
AMC□H-CA	AMC25H-CA	AMC50H-CA	AMC75H-CA	AMC100H-CA	-	-
AMC□H-CA-V	AMC25H-CA-V	AMC50H-CA-V	AMC75H-CA-V	AMC100H-CA-V	-	-
AMC□H-CA-V-ES	-	-	AMC75H-CA-V-ES	AMC100H-CA-V-ES	-	-
AMC□H-DB	AMC25H-DB	AMC50H-DB	AMC75H-DB	AMC100H-DB	-	-
AMC□H-DB-V	AMC25H-DB-V	AMC50H-DB-V	AMC75H-DB-V	AMC100H-DB-V	-	-
AMC□H-CC	AMC25H-CC	AMC50H-CC	AMC75H-CC	AMC100H-CC	AMC125H-CC	AMC150H-CC
AMC□H-CC-V	AMC25H-CC-V	AMC50H-CC-V	AMC75H-CC-V	AMC100H-CC-V	AMC125H-CC-V	AMC150H-CC-V
AMC□H-CC-V-ES	AMC25H-CC-V-ES	AMC50H-CC-V-ES	AMC75H-CC-V-ES	AMC100H-CC-V-ES	AMC125H-CC-V-ES	AMC150H-CC-V-ES

Technical parameters

Model	Rated air supply pressure bar	Max. vacuum level -kPa	Max. vacuum flow NL/min	Air consumption NL/min	Noise level dB(A)	Working temperature °C	Weight g	Vacuum chamber volume cm ³	Recommended hose dia. mm	
									Air supply port P	Vacuum port V
AMC25L	6.0	75	360	130	63~68	-10~80	430	140	φ8	φ25
AMC50L	6.0	75	710	260	63~68	-10~80	435	140	φ8	φ25
AMC75L	6.0	75	1,050	390	63~68	-10~80	625	245	φ10	φ32
AMC100L	6.0	75	1,410	520	63~68	-10~80	630	245	φ10	φ32
AMC125L	6.0	75	1,500	650	63~68	-10~80	825	352	φ12	φ32
AMC150L	6.0	75	1,690	780	63~68	-10~80	830	352	φ12	φ32
AMC25H	5.0	95	354	135	63~68	-10~80	430	140	φ8	φ25
AMC50H	5.0	95	700	270	63~68	-10~80	435	140	φ8	φ25
AMC75H	5.0	95	980	405	63~68	-10~80	625	245	φ10	φ32
AMC100H	5.0	95	1,380	540	63~68	-10~80	630	245	φ10	φ32
AMC125H	5.0	95	1,480	675	63~68	-10~80	825	352	φ12	φ32
AMC150H	5.0	95	1,650	810	63~68	-10~80	830	352	φ12	φ32

Vacuum flow(NL/min) at different vacuum levels(-kPa)

Model	Air supply pressure bar	Air consumption NL/min	0	10	20	30	40	50	60	70	Max. vacuum level -kPa
AMC25L	6.0	130	360	210	156	102	54	36	30	21	75
AMC50L	6.0	260	710	420	312	204	108	72	60	42	75
AMC75L	6.0	390	1,050	630	468	306	162	108	90	66	75
AMC100L	6.0	520	1,410	840	624	408	216	144	120	84	75
AMC125L	6.0	650	1,500	948	744	510	270	180	150	126	75
AMC150L	6.0	780	1,690	1,074	888	612	324	216	180	132	75

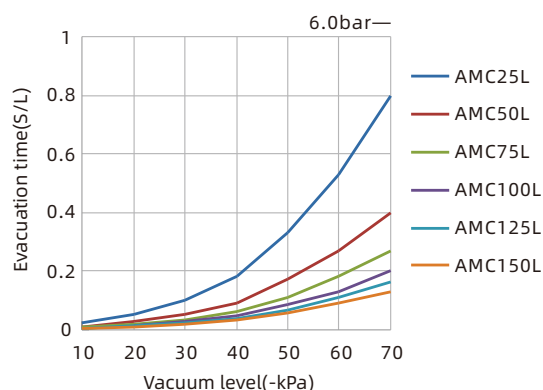
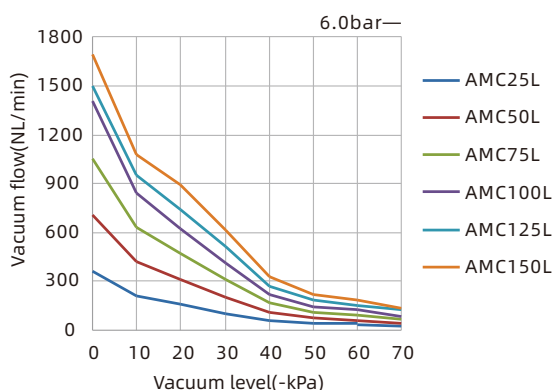
AMC Series

Multistage Vacuum Generator



Evacuation time(s/L) to reach different vacuum levels(-kPa)

Model	Air supply pressure bar	Air consumption NL/min	10	20	30	40	50	60	70	Max. vacuum level -kPa
AMC25L	6.0	130	0.020	0.050	0.100	0.180	0.330	0.530	0.800	75
AMC50L	6.0	260	0.010	0.025	0.050	0.090	0.170	0.270	0.400	75
AMC75L	6.0	390	0.007	0.017	0.033	0.060	0.110	0.180	0.270	75
AMC100L	6.0	520	0.005	0.013	0.025	0.045	0.083	0.130	0.200	75
AMC125L	6.0	650	0.005	0.012	0.022	0.036	0.066	0.110	0.160	75
AMC150L	6.0	780	0.004	0.010	0.018	0.030	0.055	0.090	0.130	75



Vacuum flow(NL/min) at different vacuum levels(-kPa)

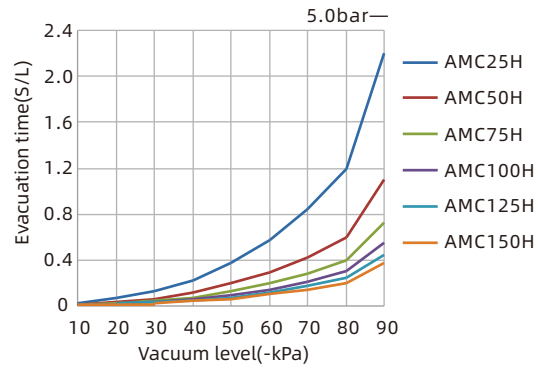
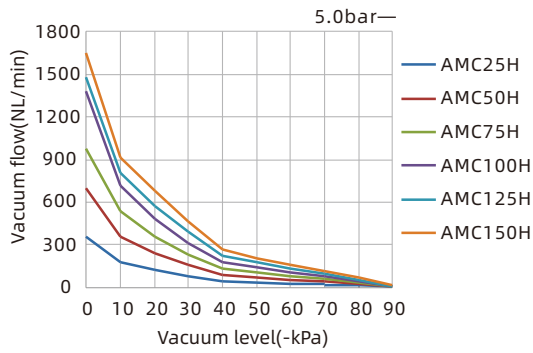
Model	Air supply pressure bar	Air consumption NL/min	0	10	20	30	40	50	60	70	80	90	Max. vacuum level -kPa
AMC25H	5.0	135	354	180	120	78	43.8	34.8	25.8	19.2	10.8	1.8	95
AMC50H	5.0	270	700	360	240	156	87.6	69.6	51.6	38.4	21.6	3.6	95
AMC75H	5.0	405	980	540	360	234	131.4	104.4	77.4	57.6	32.4	5.4	95
AMC100H	5.0	540	1,380	720	480	312	175.2	139.2	103.2	76.8	43.2	7.2	95
AMC125H	5.0	675	1,480	810	570	390	219.0	174.0	129.0	96.0	54.0	9.0	95
AMC150H	5.0	810	1,650	918	684	468	262.8	206.4	154.8	115.2	64.8	10.8	95

Evacuation time(s/L) to reach different vacuum levels(-kPa)

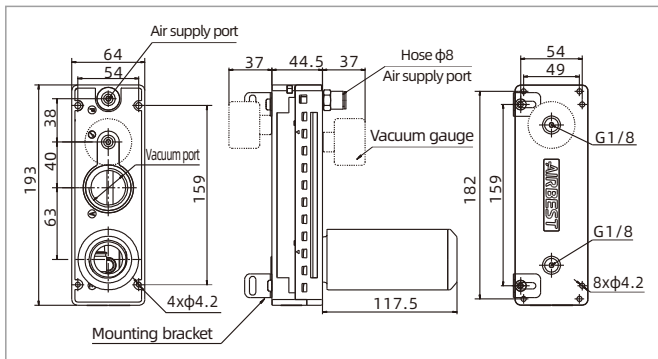
Model	Air supply pressure bar	Air consumption NL/min	10	20	30	40	50	60	70	80	90	Max. vacuum level -kPa
AMC25H	5.0	135	0.022	0.062	0.120	0.220	0.37	0.57	0.84	1.20	2.20	95
AMC50H	5.0	270	0.011	0.031	0.060	0.110	0.19	0.29	0.42	0.60	1.10	95
AMC75H	5.0	405	0.007	0.021	0.040	0.070	0.12	0.19	0.28	0.40	0.73	95
AMC100H	5.0	540	0.006	0.016	0.030	0.055	0.09	0.14	0.21	0.30	0.55	95
AMC125H	5.0	675	0.005	0.014	0.026	0.044	0.07	0.11	0.17	0.24	0.44	95
AMC150H	5.0	810	0.005	0.012	0.022	0.040	0.06	0.10	0.14	0.20	0.37	95

AMC Series

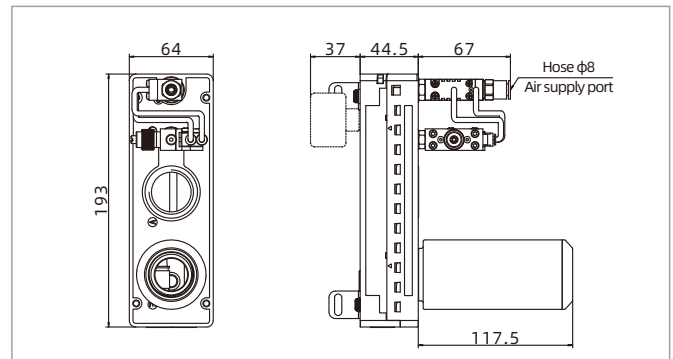
Multistage Vacuum Generator



Dimensions(mm)

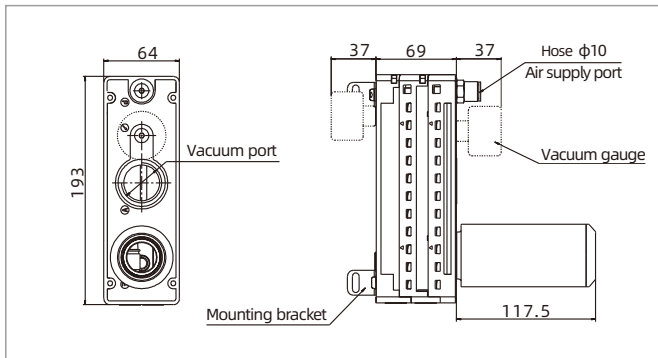


AMC25-50

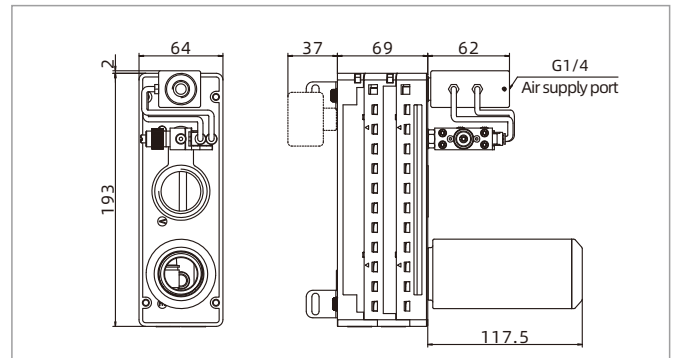


AMC25□-□-V-ES

AMC50□-□-V-ES

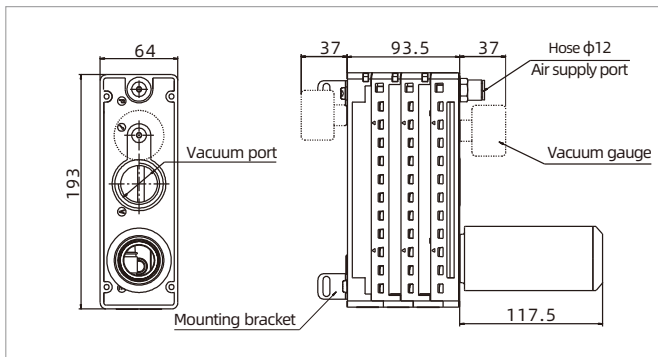


AMC75-100

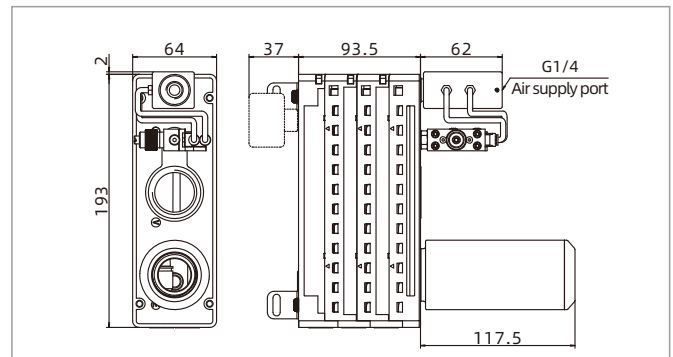


AMC75□-□-V-ES

AMC100□-□-V-ES



AMC125-150



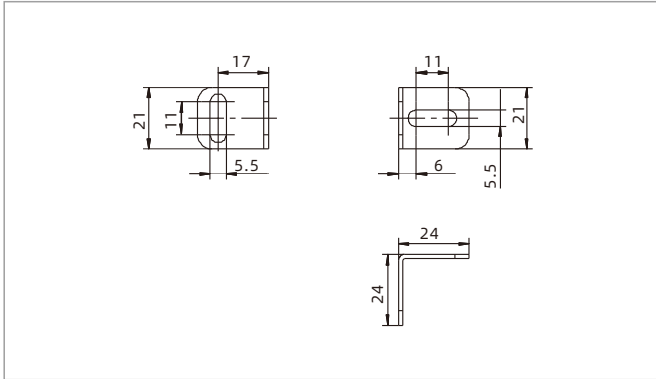
AMC125□-□-V-ES

AMC150□-□-V-ES

AMC Series

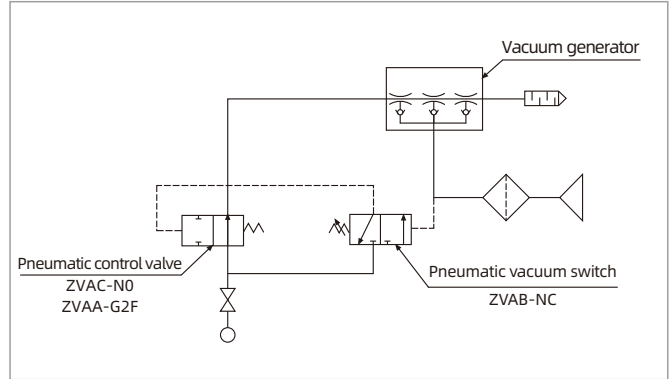
Multistage Vacuum Generator

Dimensions(mm)



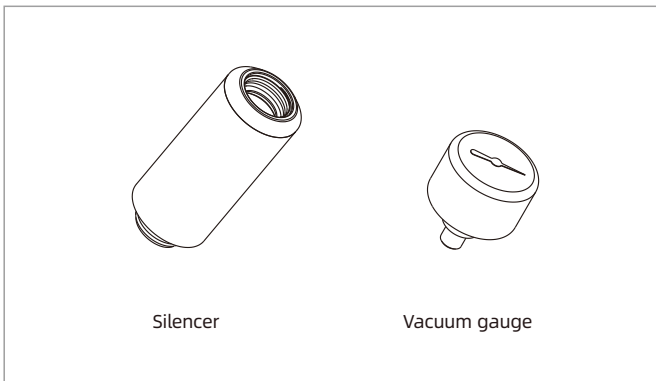
L type mounting bracket

Air circuit schematic diagram

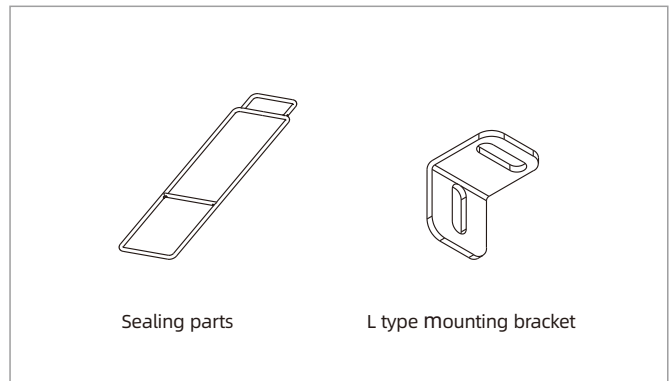


ES Energy saving system

Accessory selection



Mounting accessories



Mounting accessories

Item	Model	Remark
Silencer	ZSA-G8M	-
Vacuum gauge	ZPMR-V	-
Sealing ring	AMC50-R6	AMC25, 50/1 AMC75, 100/2 AMC125, 150/3
Mounting accessory kit	AMC50-R(2 brackets+ 4 Screws + 1 ϕ 8 one-touch fitting)	AMC25, 50-AA
Mounting accessory kit	AMC100-R(2 brackets+ 4 Screws + 1 ϕ 10 one-touch fitting)	AMC25, 50, 75, 100-CA / AMC25, 50, 75, 100-CC
Mounting accessory kit	AMC150-R(2 brackets+ 4 Screws + 1 ϕ 12 one-touch fitting)	AMC125, 150-CC

◇ Note: The mounting accessory kit includes 2 L-type brackets and 4 screws for the connection plate BA and DB

AM/AL/AH Series

Multistage Vacuum Generator

AIRBEST



METAL SHEET



PACKAGING



WOOD



COMPOSITE MATERIAL

Features

- ◇ Energy-efficient multistage nozzle design
- ◇ It has a very strong suction capacity
- ◇ A variety of specifications of air supply port and vacuum port
- ◇ Energy-saving system(ES) is optional

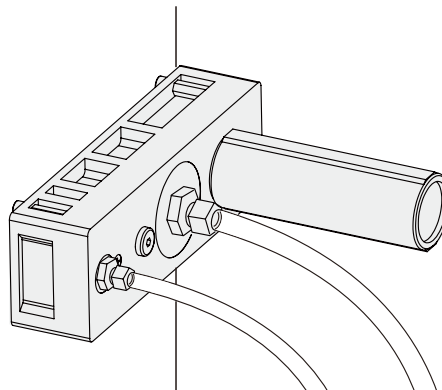
Advantages

- ◇ Quick evacuation in low vacuum level range, reduce cost and shorten working cycle
- ◇ It can produce large vacuum flow, handle all porous workpieces fast and safely
- ◇ Different thread specifications can be used
- ◇ Save compressed air consumption when handling airtight workpieces



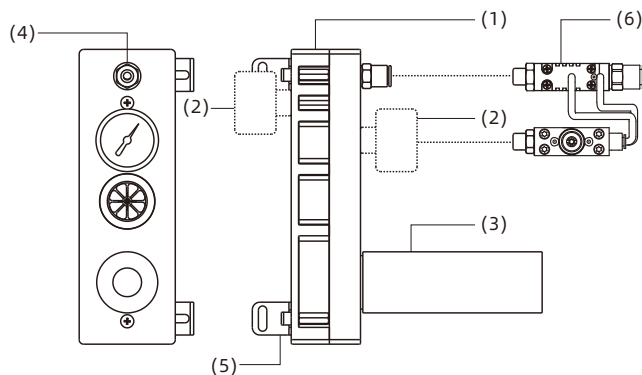
Applications

- ◇ The multistage vacuum generator is suitable for handling cartons, packaging materials and porous materials
- ◇ Used for working conditions requiring large vacuum flow, fast evacuation and less air consumption



Structure

- ◇ (1) The main body
- ◇ (2) Vacuum detecting port
- ◇ (3) Silencer
- ◇ (4) Air supply port
- ◇ (5) Mounting bracket
- ◇ (6) ES Energy-saving system



AM/AL/AH Series

Multistage Vacuum Generator

How to order

AM 25L - AD - N - A - ES
 ① ② ③ ④ ⑤ ⑥

① Series	② Specification	③ Connection plate	④ Sealing	⑤ Non-return valve	⑥ Control device
AM - Universal type (-92kPa)	25L 50L 75L 100L 125L 150L	D B	N - NBR E - EPDM	Nil - Default, without non-return valve A - With non-return valve	Nil - Default, without control device
AL - Large vacuum flow type (-81kPa)	25 50 75 100 125 150	AD E	F - Fluorine rubber		PVD - Supply valve + Break valve
AH - High vacuum level type (-100.8kPa)	40 120	(Refer to table1)			ES - Energy-saving system only for AM-25L/50L AL-25/50 AH-40

Connection plate table 1

Connection plate	Air supply port (1)	Vacuum port (2)	Exhaust port (3)	Connection plate material	Applicable vacuum generator
D	NPSF1/8	G3/4	G3/4	PPS	AM25-100、AL25-100、AH40-120
B	NPSF1/8	NPT3/4	NPT3/4	PPS	
AD	G1/4	G3/4	G3/4	Aluminum alloy	
E	NPT1/4	NPT3/4	NPT3/4	Aluminum alloy	
D	G1/4	G1"	G1"	PPS	AM125-150、AL125-150
B	NPT1/4	NPT1"	NPT1"	PPS	
AD	G1/4	G1"	G1"	Aluminum alloy	
E	NPT1/4	NPT1"	NPT1"	Aluminum alloy	

Selection - AM series

Model/ Specification	25L	50L	75L	100L	125L	150L
AM□-D-N	AM25L-D-N	AM50L-D-N	AM75L-D-N	AM100L-D-N	AM125L-D-N	AM150L-D-N
AM□-D-N-A	AM25L-D-N-A	AM50L-D-N-A	AM75L-D-N-A	AM100L-D-N-A	AM125L-D-N-A	AM150L-D-N-A
AM□-D-N-A-ES	AM25L-D-N-A-ES	AM50L-D-N-A-ES	-	-	-	-
AM□-B-N	AM25L-B-N	AM50L-B-N	AM75L-B-N	AM100L-B-N	AM125L-B-N	AM150L-B-N
AM□-B-N-A	AM25L-B-N-A	AM50L-B-N-A	AM75L-B-N-A	AM100L-B-N-A	AM125L-B-N-A	AM150L-B-N-A
AM□-AD-N	AM25L-AD-N	AM50L-AD-N	AM75L-AD-N	AM100L-AD-N	AM125L-AD-N	AM150L-AD-N
AM□-AD-N-A	AM25L-AD-N-A	AM50L-AD-N-A	AM75L-AD-N-A	AM100L-AD-N-A	AM125L-AD-N-A	AM150L-AD-N-A
AM□-AD-N-A-ES	AM25L-AD-N-A-ES	AM50L-AD-N-A-ES	-	-	-	-
AM□-E-N	AM25L-E-N	AM50L-E-N	AM75L-E-N	AM100L-E-N	AM125L-E-N	AM150L-E-N
AM□-E-N-A	AM25L-E-N-A	AM50L-E-N-A	AM75L-E-N-A	AM100L-E-N-A	AM125L-E-N-A	AM150L-E-N-A
AM□-E-N-PVD	AM25L-E-N-PVD	AM50L-E-N-PVD	AM75L-E-N-PVD	AM100L-E-N-PVD	AM125L-E-N-PVD	AM150L-E-N-PVD

AM/AL/AH Series

Multistage Vacuum Generator

Selection - AL series

Model/ Specification	25	50	75	100	125	150
AL□-D-N	AL25-D-N	AL50-D-N	AL75-D-N	AL100-D-N	AL125-D-N	AL150-D-N
AL□-D-N-A	AL25-D-N-A	AL50-D-N-A	AL75-D-N-A	AL100-D-N-A	AL125-D-N-A	AL150-D-N-A
AL□-D-N-A-ES	AL25-D-N-A-ES	AL50-D-N-A-ES	-	-	-	-
AL□-B-N	AL25-B-N	AL50-B-N	AL75-B-N	AL100-B-N	AL125-B-N	AL150-B-N
AL□-B-N-A	AL25-B-N-A	AL50-B-N-A	AL75-B-N-A	AL100-B-N-A	AL125-B-N-A	AL150-B-N-A
AL□-AD-N	AL25-AD-N	AL50-AD-N	AL75-AD-N	AL100-AD-N	AL125-AD-N	AL150-AD-N
AL□-AD-N-A	AL25-AD-N-A	AL50-AD-N-A	AL75-AD-N-A	AL100-AD-N-A	AL125-AD-N-A	AL150-AD-N-A
AL□-AD-N-A-ES	AL25-AD-N-A-ES	AL50-AD-N-A-ES	-	-	-	-
AL□-E-N	AL25-E-N	AL50-E-N	AL75-E-N	AL100-E-N	AL125-E-N	AL150-E-N
AL□-E-N-A	AL25-E-N-A	AL50-E-N-A	AL75-E-N-A	AL100-E-N-A	AL125-E-N-A	AL150-E-N-A
AL□-E-N-PVD	AL25-E-N-PVD	AL50-E-N-PVD	AL75-E-N-PVD	AL100-E-N-PVD	AL125-E-N-PVD	AL150-E-N-PVD

Selection - AH series

Model/ Specification	40	120
AH□-D-N	AH40-D-N	AH120-D-N
AH□-D-N-A	AH40-D-N-A	AH120-D-N-A
AH□-D-N-A-ES	AH40-D-N-A-ES	-
AH□-B-N	AH40-B-N	AH120-B-N
AH□-B-N-A	AH40-B-N-A	AH120-B-N-A
AH□-AD-N	AH40-AD-N	AH120-AD-N
AH□-AD-N-A	AH40-AD-N-A	AH120-AD-N-A
AH□-AD-N-A-ES	AH40-AD-N-A-ES	-
AH□-E-N	AH40-E-N	AH120-E-N
AH□-E-N-A	AH40-E-N-A	AH120-E-N-A
AH□-E-N-PVD	AH40-E-N-PVD	AH120-E-N-PVD

Technical parameters

Model	Rated air supply pressure bar	Max. vacuum level -kPa	Max. vacuum flow NL/min	Air consumption NL/min	Noise level dB(A)	Working temperature °C	Weight g	Recommended hose dia. mm	
								(Hose outer dia.) Air supply port	(Wired hose inner dia.) Vacuum port
AL25	6.0	81	360	105	81	-10~80	675	φ8	φ19
AL50	6.0	81	640	215	81	-10~80	675	φ10	φ19
AL75	6.0	81	850	320	81	-10~80	837	φ10	φ25
AL100	6.0	81	990	390	82	-10~80	837	φ10	φ25
AL125	6.0	81	1,170	480	82	-10~80	1,075	φ12	φ32
AL150	6.0	81	1,230	620	81	-10~80	1,075	φ12	φ32
AH40	6.0	99.8	150	155	81	-10~80	675	φ10	φ19
AH120	6.0	100.8	530	440	81	-10~80	837	φ12	φ19

AM/AL/AH Series

Multistage Vacuum Generator

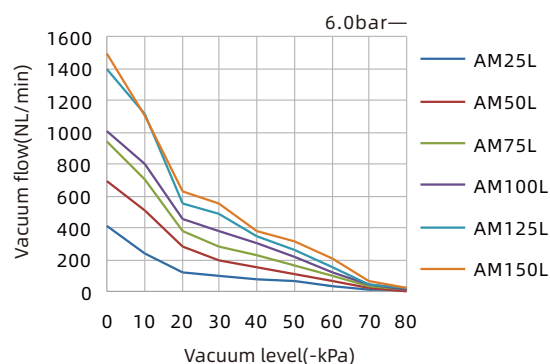
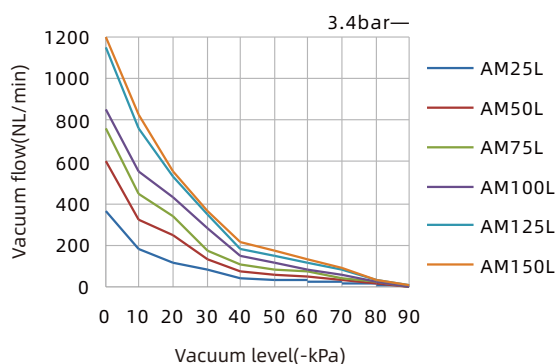


Technical parameters

Model	Rated air supply pressure bar	Max. vacuum level -kPa	Max. vacuum flow NL/min	Air consumption NL/min	Noise level dB(A)	Working temperature °C	Weight g	Recommended hose dia. mm (Hose outer dia.) Air supply port	Recommended hose dia. mm (Wired hose inner dia.) Vacuum port
AM25L	3.4	92	360	116	80	-10~80	675	φ8	φ19
AM50L	3.4	92	600	230	81	-10~80	675	φ8	φ19
AM75L	3.4	92	760	365	81	-10~80	837	φ10	φ25
AM100L	3.4	92	850	445	81	-10~80	837	φ10	φ25
AM125L	3.4	92	1,150	545	82	-10~80	1,075	φ12	φ32
AM150L	3.4	92	1,200	655	82	-10~80	1,075	φ12	φ32
AM25L	6.0	89	420	185	80	-10~80	675	φ8	φ19
AM50L	6.0	89	700	370	81	-10~80	675	φ8	φ19
AM75L	6.0	89	950	610	81	-10~80	837	φ10	φ25
AM100L	6.0	89	1,010	720	81	-10~80	837	φ10	φ25
AM125L	6.0	89	1,400	780	82	-10~80	1,075	φ12	φ32
AM150L	6.0	89	1,500	810	82	-10~80	1,075	φ12	φ32

Vacuum flow(NL/min) at different vacuum levels(-kPa)

Model	Air supply pressure bar	Air consumption NL/min	0	10	20	30	40	50	60	70	80	90	Max. vacuum level -kPa
AM25L	3.4	116	360	180	115	80	43	30	22.5	15.5	7.5	21.2	92
AM50L	3.4	230	600	320	250	135	75	60	46	30	13	1.5	92
AM75L	3.4	365	760	445	340	175	110	85	70	43	20	1.8	92
AM100L	3.4	445	850	550	430	280	145	115	85	60	28	2.2	92
AM125L	3.4	545	1,150	760	530	350	180	148	115	78	34.5	3.5	92
AM150L	3.4	655	1,200	830	550	360	215	170	130	90	36	5	92
AM25L	6.0	185	420	240	125	100	82	65	38	12.5	3.5	-	89
AM50L	6.0	370	700	510	290	195	160	115	70	22	8	-	89
AM75L	6.0	610	950	710	380	285	230	170	100	32	11	-	89
AM100L	6.0	720	1,010	800	460	385	310	215	125	42	15.5	-	89
AM125L	6.0	780	1,400	1,120	560	490	355	260	150	50	25	-	89
AM150L	6.0	810	1,500	1,110	630	560	385	315	210	65	26	-	89



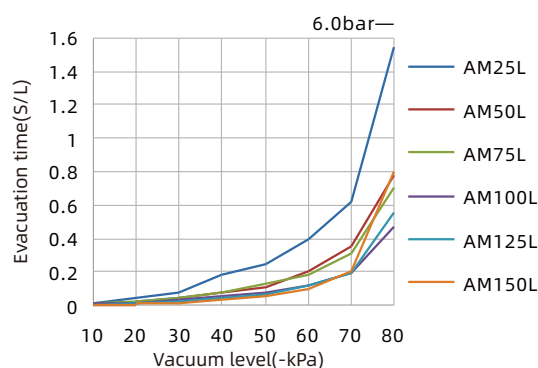
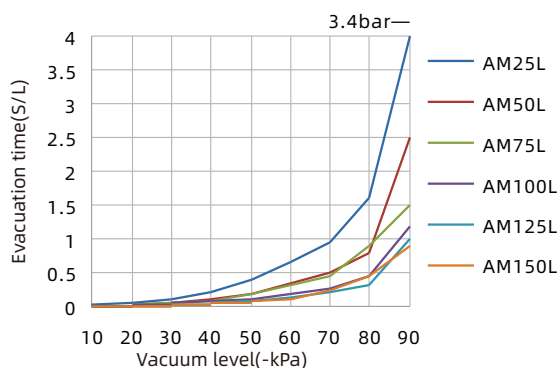
AM/AL/AH Series

Multistage Vacuum Generator



Evacuation time(s/L) to reach different vacuum levels(-kPa)

Model	Air supply pressure bar	Air consumption NL/min	10	20	30	40	50	60	70	80	90	Max. vacuum level -kPa
AM25L	3.4	116	0.022	0.060	0.110	0.210	0.400	0.650	0.950	1.600	4.000	92
AM50L	3.4	230	0.014	0.031	0.060	0.100	0.200	0.340	0.500	0.800	2.500	92
AM75L	3.4	365	0.012	0.029	0.058	0.095	0.180	0.310	0.460	0.890	1.500	92
AM100L	3.4	445	0.010	0.025	0.043	0.075	0.110	0.190	0.270	0.450	1.200	92
AM125L	3.4	545	0.006	0.015	0.029	0.052	0.085	0.145	0.202	0.330	1.00	92
AM150L	3.4	655	0.005	0.013	0.027	0.045	0.070	0.105	0.230	0.460	0.900	92
AM25L	6.0	185	0.018	0.050	0.080	0.018	0.250	0.400	0.620	1.550	-	89
AM50L	6.0	370	0.010	0.022	0.048	0.080	0.110	0.200	0.350	0.780	-	89
AM75L	6.0	610	0.009	0.019	0.045	0.075	0.130	0.180	0.310	0.700	-	89
AM100L	6.0	720	0.007	0.018	0.038	0.055	0.080	0.120	0.190	0.470	-	89
AM125L	6.0	780	0.005	0.013	0.026	0.045	0.062	0.115	0.194	0.560	-	89
AM150L	6.0	810	0.003	0.009	0.014	0.03	0.060	0.095	0.200	0.800	-	89



Vacuum flow(NL/min) at different vacuum levels(-kPa)

Model	Air supply pressure bar	Air consumption NL/min	0	10	20	30	40	50	60	70	Max. vacuum level -kPa
AL25	6.0	105	360	196	135	85	45	36	27	17	81
AL50	6.0	215	640	320	205	145	95	65	45	25	81
AL75	6.0	320	850	430	320	190	130	105	65	40	81
AL100	6.0	390	990	580	460	300	185	130	95	52	81
AL125	6.0	480	1,170	720	541	350	200	150	125	65	81
AL150	6.0	620	1,230	760	560	410	210	160	148	85	81

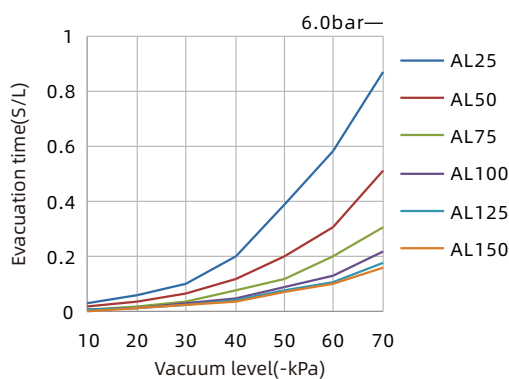
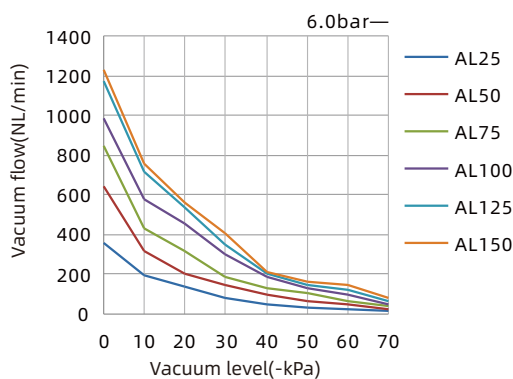
AM/AL/AH Series

Multistage Vacuum Generator



Evacuation time(s/L) to reach different vacuum levels(-kPa)

Model	Air supply pressure bar	Air consumption NL/min	10	20	30	40	50	60	70	Max. vacuum level -kPa
AL25	6.0	105	0.030	0.060	0.100	0.200	0.390	0.580	0.870	81
AL50	6.0	215	0.018	0.039	0.066	0.120	0.200	0.310	0.510	81
AL75	6.0	320	0.010	0.020	0.040	0.080	0.120	0.200	0.310	81
AL100	6.0	390	0.008	0.017	0.032	0.050	0.090	0.130	0.220	81
AL125	6.0	480	0.006	0.016	0.026	0.045	0.078	0.110	0.180	81
AL150	6.0	620	0.005	0.014	0.024	0.040	0.071	0.100	0.160	81

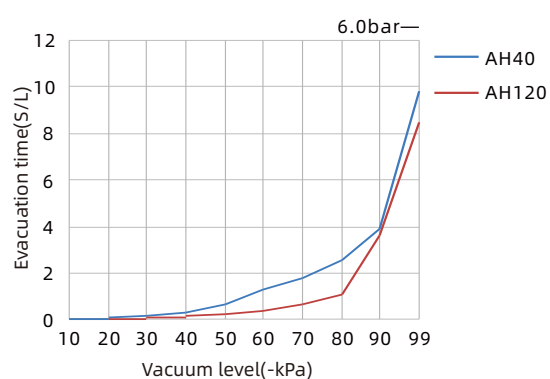
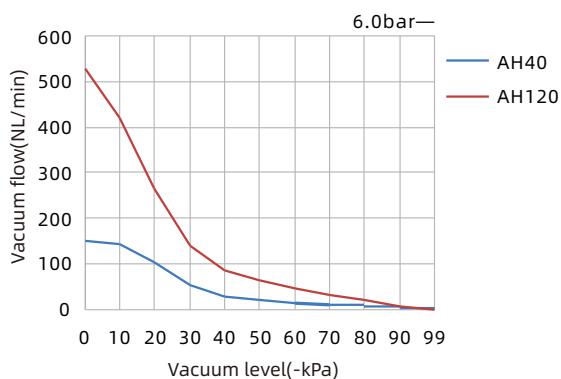


Vacuum flow(NL/min) at different vacuum levels(-kPa)

Model	Air supply pressure bar	Air consumption NL/min	0	10	20	30	40	50	60	70	80	90	99	Max. vacuum level -kPa
AH40	6.0	155	150	145	105	52.5	27.5	20.5	15.0	8.5	5.5	3.0	0.2	99.8
AH120	6.0	440	530	420	265	141.0	85.0	65.0	45.0	33.0	21.5	6.0	0.5	100.8

Evacuation time(s/L) to reach different vacuum levels(-kPa)

Model	Air supply pressure bar	Air consumption NL/min	10	20	30	40	50	60	70	80	90	99	Max. vacuum level -kPa
AH40	6.0	155	0.04	0.08	0.18	0.32	0.64	1.30	1.80	2.60	3.90	9.8	99.8
AH120	6.0	440	0.02	0.04	0.08	0.14	0.25	0.38	0.66	1.08	3.60	8.5	100.8

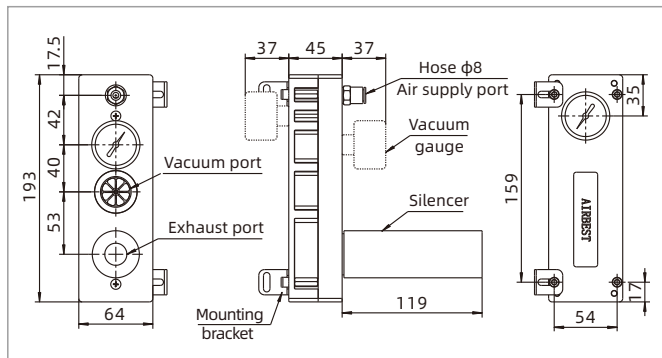


AM/AL/AH Series

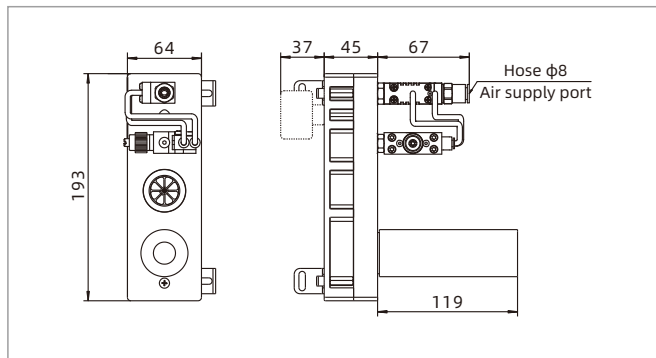
Multistage Vacuum Generator



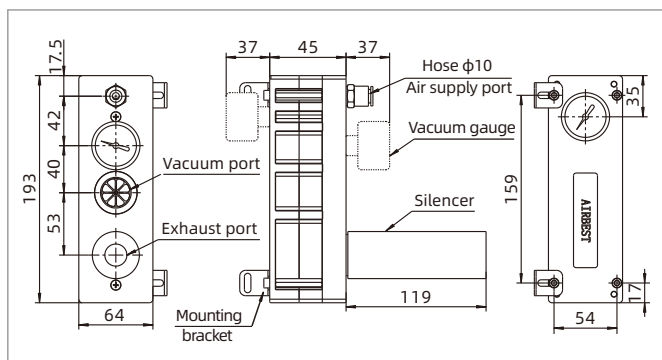
Dimensions(mm)



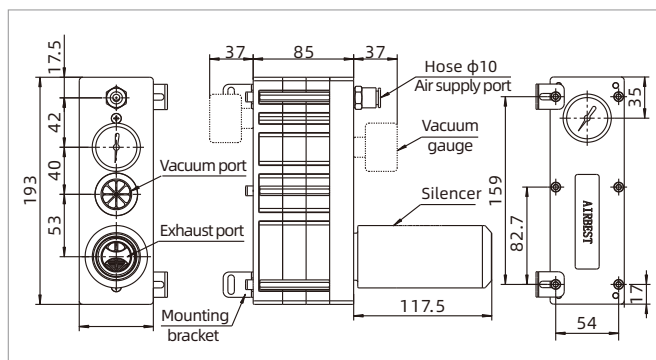
AM/AL25-50 AH40



AM/AL25-50-N-A-ES



AM/AL75-100



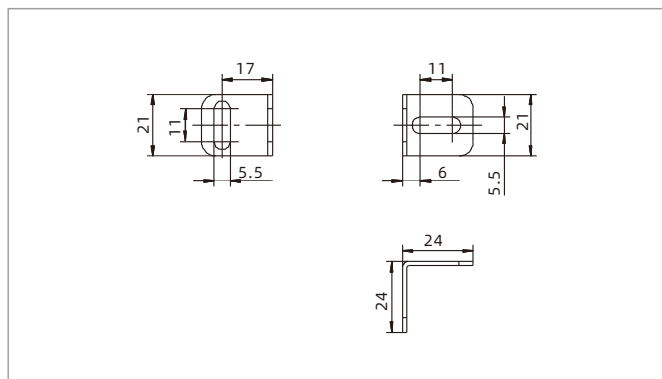
AM/AL125-150

AM/AL/AH Series

Multistage Vacuum Generator

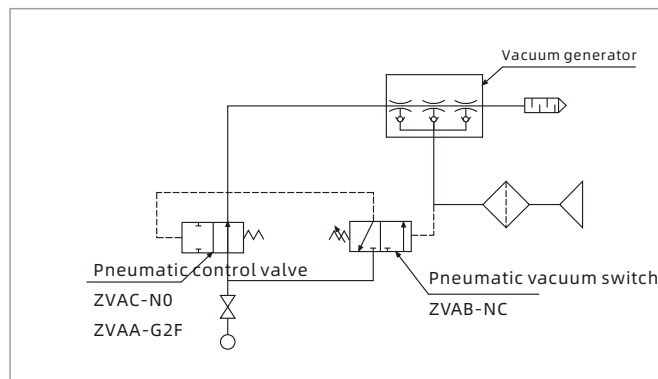


Dimensions(mm)



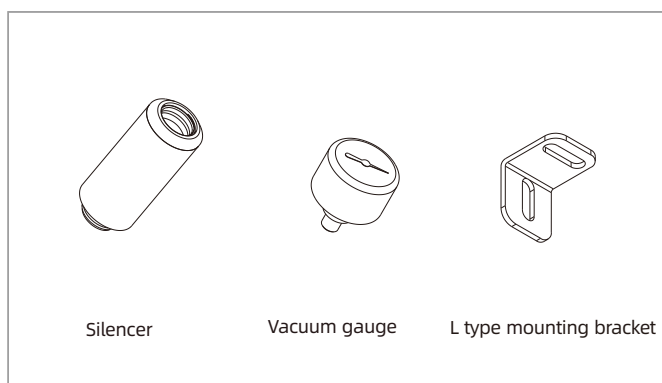
L type mounting bracket

Air circuit schematic diagram

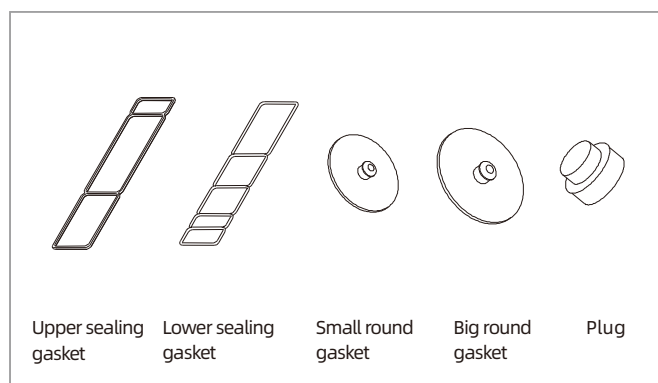


ES Energy-saving system

Accessories



Mounting accessories



Repair kits-Sealing kits

Item	Model	Applicable vacuum generator
Silencer	ZSA-G6M	AM25-50, AL25-50, AH40
Vacuum gauge	ZPMR-V	AM25-50, AL25-50, AH40
Sealing kits	AM50L-PK (1 Upper sealing gasket+1 Lower sealing gasket+2 Small round gaskets+2 Plugs)	AM25-50, AL25-50, AH40
Mounting accessory kit	AM50L-D-R (2 brackets+4 screws+1 G1/8 φ8 one-touch fitting)	AM25-50, AL25-50, AH40
Mounting accessory kit	AM50L-E-R (2 brackets+4 screws+1 G1/4 φ8 one-touch fitting)	AM25-50, AL25-50, AH40
Silencer	ZSA-G6M	AM75-100, AL75-100, AH120
Vacuum gauge	ZPMR-V	AM75-100, AL75-100, AH120
Sealing kits	AM100L-PK (1 Upper sealing gasket+2 Lower sealing gaskets+2 Small round gaskets+4 Plugs)	AM75-100, AH120
Sealing kits	AL100-PK (1 Upper sealing gasket+2 Lower sealing gaskets+1 Small round gasket+1 Big round gasket+ 4 Plugs)	AL75-100
Mounting accessory kit	AM100L-D-R (2 brackets+4 screws+1 G1/8 φ10 one-touch fitting)	AM75-100, AL75-100, AH120
Mounting accessory kit	AM100L-E-R (2 brackets+4 screws+1 G1/4 φ10 one-touch fitting)	AM75-100, AL75-100, AH120
Silencer	ZSA-G8M	AM125-150, AL125-150
Vacuum gauge	ZPMR-V	AM125-150, AL125-150
Sealing kits	AM150L-PK (1 Upper sealing gasket+3 Lower sealing gaskets+1 Small round gasket+1 Big round gasket+6 Plugs)	AM125-150, AL125-150
Mounting accessory kit	AM150L-R (2 brackets+4 screws+1 G1/4 φ12 one-touch fitting)	AM125-150, AL125-150

◇ Note: The mounting accessory kit includes 2 L-type brackets and 4 screws for the connection plate B and E

ABM/ABX Series

Mini Vacuum Generator



METAL SHEET



PACKAGING



PLASTIC

Features

- ◇ Energy-efficient nozzle design
- ◇ Small size, light weight, can be connected with suction cup directly
- ◇ There are a variety of air port specifications (A,NA ,B,NB,C,NC)
- ◇ Built-in silencer and external silencer are optional

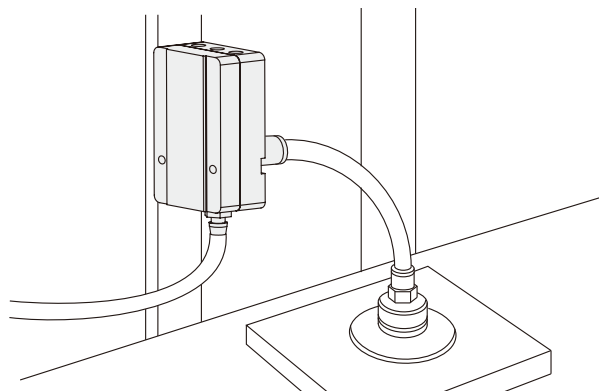
Advantages

- ◇ It can produce more vacuum flow in the condition of less air consumption
- ◇ For the occasions with limited installation space and weight
- ◇ Suitable port connection specifications can be selected according to the on-site requirements
- ◇ It can meet different requirements of vacuum flow in different working conditions
- ◇ Reduce product noise greatly



Applications

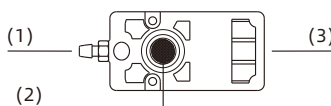
- ◇ Universal vacuum generator, widely used in all kinds of vacuum systems
- ◇ Suitable for metal plate handling, packaging machinery, injection molding and industrial robot technology field



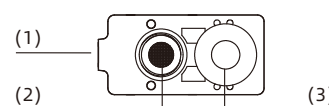
Structure

- ◇ (1) Air supply port
- ◇ (2) Vacuum port
- ◇ (3) Exhaust port
- ◇ (4) Vacuum filter
- ◇ (5) Silencer

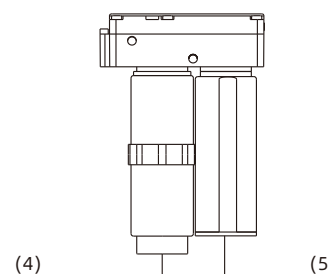
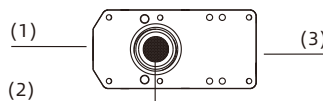
A NA type



C NC type



B NB type



ABM/ABX Series

Mini Vacuum Generator



How to order

ABM 10 - B - F
 ① ② ③ ④

① Series	② Specification	③ Port connection	④ Sealing
ABM - Universal type (-85kPa)	5	A NA	Nil - Default,NBR
ABX - High vacuum level type (-92kPa)	10	B NB	F - Fluorine rubber
	20	C NC	E - EPDM
	30	(Refer to table1)	

Port connection table1

Port connection	Air supply port	Vacuum port	Exhaust port	Applicable vacuum generator
A	M5-φ6	G1/8	Internal silencer	ABM5、10 ABX5、10
NA	M5-φ6	NPSF1/8	Internal silencer	ABM5、10 ABX5、10
B	G1/8	G3/8	Internal silencer	ABM5、10、20、30 ABX5、10、20、30
NB	NPSF1/8	NPSF3/8	Internal silencer	ABM5、10、20、30 ABX5、10、20、30
C	G1/8	G3/8	External silencer	ABM5、10、20、30 ABX5、10、20、30
NC	NPSF1/8	NPSF3/8	External silencer	ABM5、10、20、30 ABX5、10、20、30

Selection - ABM

Model/ Specification	A	NA	B	NB	C	NC
ABM5-□	ABM5-A	ABM5-NA	ABM5-B	ABM5-NB	ABM5-C	ABM5-NC
ABM10-□	ABM10-A	ABM10-NA	ABM10-B	ABM10-NB	ABM10-C	ABM10-NC
ABM20-□	-	-	ABM20-B	ABM20-NB	ABM20-C	ABM20-NC
ABM30-□	-	-	ABM30-B	ABM30-NB	ABM30-C	ABM30-NC

Selection - ABX

Model/ Specification	A	NA	B	NB	C	NC
ABX5-□	ABX5-A	ABX5-NA	ABX5-B	ABX5-NB	ABX5-C	ABX5-NC
ABX10-□	ABX10-A	ABX10-NA	ABX10-B	ABX10-NB	ABX10-C	ABX10-NC
ABX20-□	-	-	ABX20-B	ABX20-NB	ABX20-C	ABX20-NC
ABX30-□	-	-	ABX30-B	ABX30-NB	ABX30-C	ABX30-NC

ABM/ABX Series

Mini Vacuum Generator

Technical parameters - ABM

Model	Air supply pressure range bar	Max. vacuum level -kPa	Max. vacuum flow NL/min	Air consumption NL/min	Noise level dB(A)	Working temperature °C	Recommended hose dia. mm	
							Air supply port P	Vacuum port V
ABM5	4.5~6.0	85	35~37	12~20	50~65	-20~80	φ6	φ8
ABM10	4.5~6.0	85	70~75	28~42	55~68	-20~80	φ6	φ10
ABM20	4.5~6.0	85	141~150	55~85	60~68	-20~80	φ8	φ12
ABM30	4.5~6.0	85	175~220	87~125	60~68	-20~80	φ10	φ12

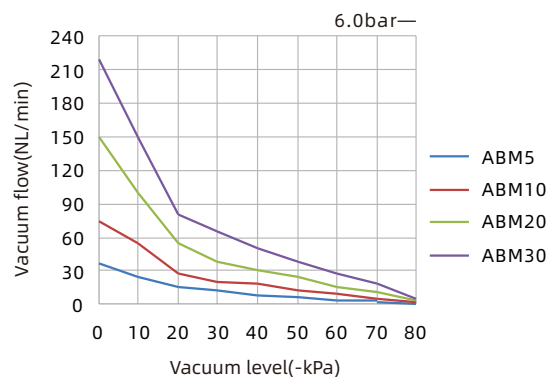
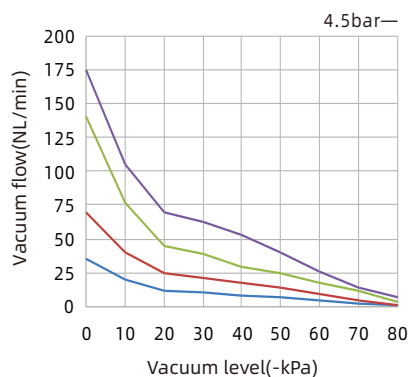
Technical parameters - ABX

Model	Air supply pressure range bar	Max. vacuum level -kPa	Max. vacuum flow NL/min	Air consumption NL/min	Noise level dB(A)	Working temperature °C	Recommended hose dia. mm	
							Air supply port P	Vacuum port V
ABX5	4.5~6.0	92	30~32	18~22	50~65	-20~80	φ6	φ8
ABX10	4.5~6.0	92	52~63	31~40	55~68	-20~80	φ6	φ10
ABX20	4.5~6.0	92	110~125	79~89	60~69	-20~80	φ8	φ12
ABX30	4.5~6.0	92	180~185	128~137	60~69	-20~80	φ10	φ12

◇ Note: Max. air supply pressure is 7.0 bar

Vacuum flow(NL/min) at different vacuum levels(-kPa)

Model	Air supply pressure bar	Air consumption NL/min	0	10	20	30	40	50	60	70	80	Max. vacuum level -kPa
			Vacuum level(-kPa)									
ABM5	4.5	12	35.0	20.5	12.0	10.5	8.5	6.5	4.5	2.5	0.8	85
ABM10	4.5	28	70.0	40.5	25.0	21.0	18.0	14.0	9.5	5.0	1.3	85
ABM20	4.5	55	141.0	77.0	45.0	39.5	29.5	25.0	17.5	12.0	3.0	85
ABM30	4.5	87	175.0	105.0	70.0	63.0	53.0	40.0	26.0	14.0	6.5	85
ABM5	6.0	20	37.0	25.0	15.5	12.0	8.0	6.0	4.0	2.7	0.6	85
ABM10	6.0	42	75.0	55.0	27.0	20.0	18.0	12.0	9.0	5.0	2.0	85
ABM20	6.0	85	150.0	100.0	55.0	38.0	30.0	24.0	16.0	11.0	3.2	85
ABM30	6.0	125	220.0	150.0	81.0	65.0	50.0	38.0	27.0	18.0	5.0	85



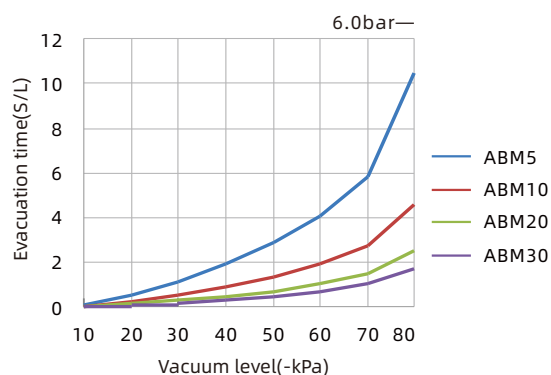
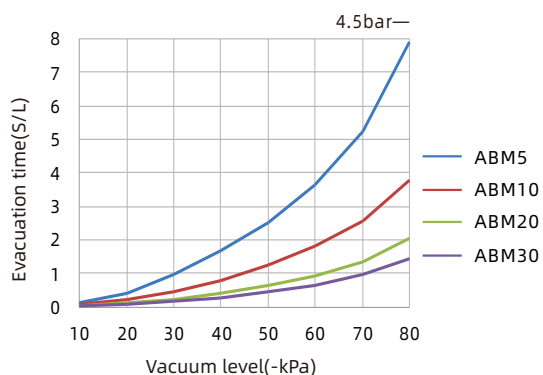
ABM/ABX Series

Mini Vacuum Generator



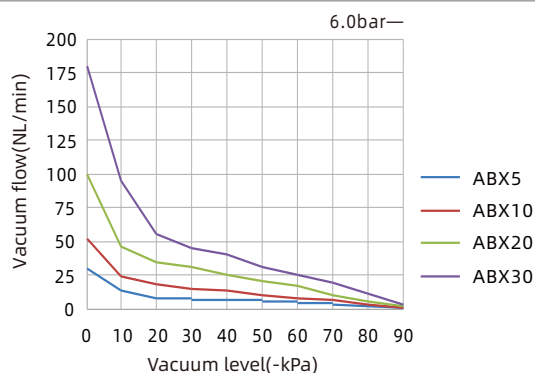
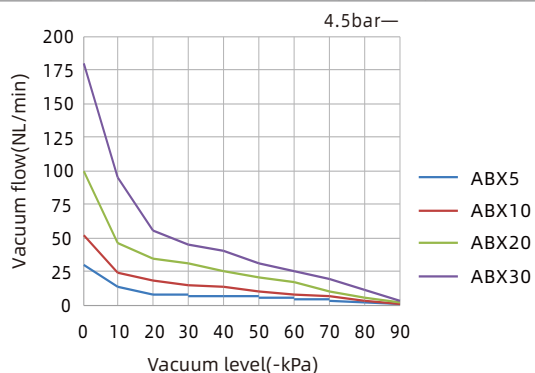
Evacuation time(s/L) to reach different vacuum levels(-kPa)

Model	Air supply pressure bar	Air consumption NL/min	10	20	30	40	50	60	70	80	Max. vacuum level -kPa
ABM5	4.5	12	0.11	0.42	0.95	1.66	2.50	3.65	5.25	7.89	85
ABM10	4.5	28	0.08	0.20	0.44	0.80	1.24	1.80	2.55	3.80	85
ABM20	4.5	55	0.04	0.12	0.23	0.41	0.65	0.93	1.33	2.03	85
ABM30	4.5	87	0.03	0.09	0.16	0.27	0.43	0.66	0.95	1.43	85
ABM5	6.0	20	0.13	0.51	1.15	1.93	2.87	4.09	5.84	10.46	85
ABM10	6.0	42	0.03	0.23	0.53	0.92	1.37	1.95	2.77	4.62	85
ABM20	6.0	85	0.02	0.15	0.28	0.46	0.71	1.02	1.48	2.55	85
ABM30	6.0	125	0.02	0.08	0.14	0.31	0.49	0.69	1.02	1.75	85



Vacuum flow(NL/min) at different vacuum levels(-kPa)

Model	Air supply pressure bar	Air consumption NL/min	0	10	20	30	40	50	60	70	80	90	Max. vacuum level -kPa
ABX5	4.5	18	30.0	13.0	7.5	7.0	6.0	5.0	4.0	3.2	1.8	0.4	92
ABX10	4.5	31	52.0	24.0	18.0	15.0	13.0	10.5	8.0	6.0	2.5	0.8	92
ABX20	4.5	79	100.0	46.0	34.0	30.5	25.0	21.0	17.0	10.5	5.0	1.6	92
ABX30	5.0	128	180.0	95.0	55.0	45.5	40.5	30.5	25.0	19.0	11.5	3.0	92
ABX5	6.0	22	32.0	20.0	8.5	7.5	6.0	5.0	4.0	3.0	1.5	0.15	92
ABX10	6.0	40	63.0	36.0	18.0	16.0	12.5	10.5	8.5	6.0	3.5	0.5	92
ABX20	6.0	89	125.0	73.0	35.0	30.0	25.0	22.0	18.0	12.0	7.0	0.9	92
ABX30	6.0	137	185.0	103.0	51.0	46.0	38.0	31.0	25.0	19.0	12.0	1.8	92



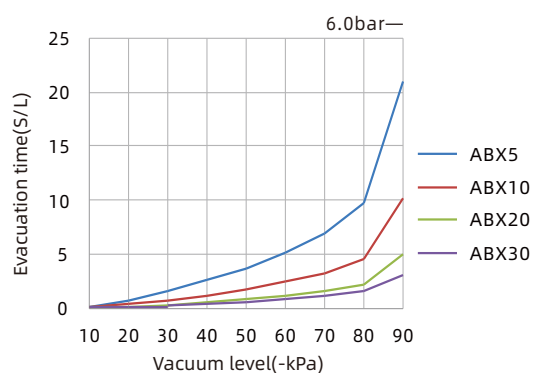
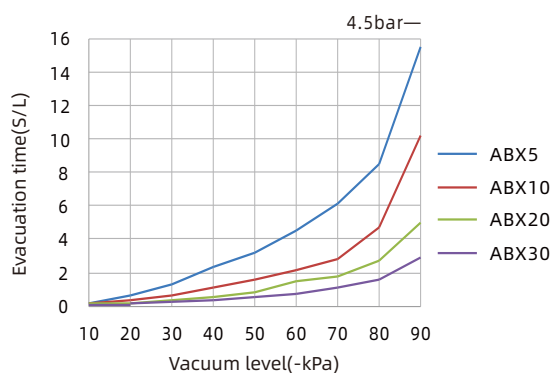
ABM/ABX Series

Mini Vacuum Generator

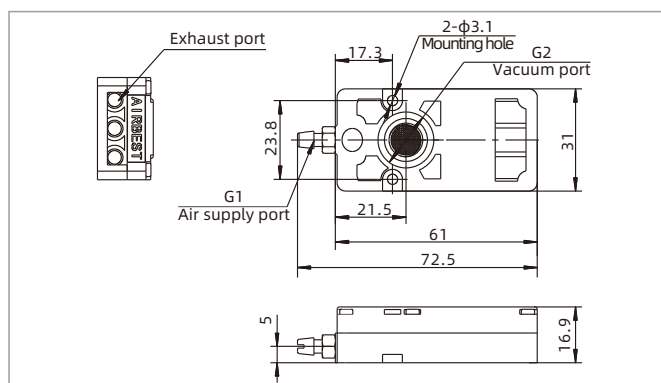


Evacuation time(s/L) to reach different vacuum levels(-kPa)

Model	Air supply pressure bar	Air consumption NL/min	10	20	30	40	50	60	70	80	90	Max. vacuum level -kPa
ABX5	4.5	18	0.13	0.60	1.26	2.30	3.20	4.50	6.15	8.50	15.50	92
ABX10	4.5	31	0.11	0.30	0.65	1.10	1.55	2.15	2.85	4.70	10.20	92
ABX20	4.5	79	0.09	0.16	0.32	0.55	0.80	1.50	1.80	2.70	5.00	92
ABX30	5.0	128	0.06	0.12	0.23	0.36	0.53	0.76	1.10	1.60	2.90	92
ABX5	6.0	22	0.15	0.71	1.52	2.54	3.72	5.12	6.95	9.70	21.00	92
ABX10	6.0	40	0.09	0.32	0.71	1.18	1.74	2.40	3.26	4.55	10.20	92
ABX20	6.0	89	0.05	0.15	0.31	0.52	0.77	1.08	1.54	2.15	4.92	92
ABX30	6.0	137	0.03	0.13	0.23	0.38	0.58	0.82	1.11	1.54	3.00	92



Dimensions(mm)



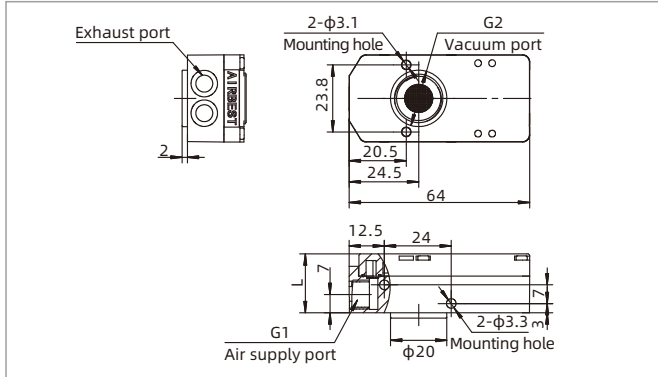
ABM5-A/NA ABM10-A/NA
 ABX5-A/NA ABX10-A/NA

Model/size	G1	G2	Weight g
ABM/ABX5-A	φ6	G1/8	58
ABM/ABX5-NA	φ6	NPSF1/8	58
ABM/ABX10-A	φ6	G1/8	59
ABM/ABX10-NA	φ6	NPSF1/8	59

ABM/ABX Series

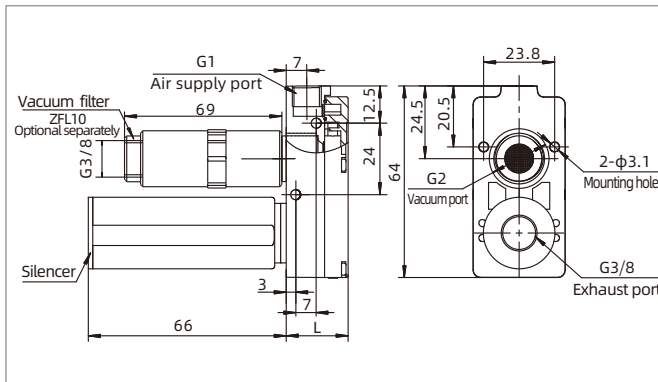
Mini Vacuum Generator

Dimensions(mm)



ABM(5-30)-B/NB ABX(5-30)-B/NB

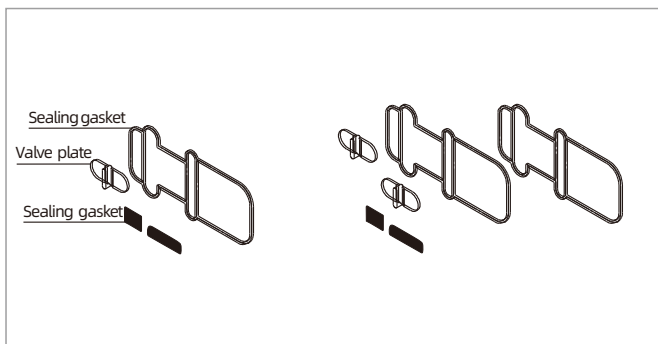
Model/size	G1	G2	L	Weight g
ABM/ABX5-B	G1/8	G3/8	20.7	64
ABM/ABX5-NB	NPSF1/8	NPSF3/8	20.7	64
ABM/ABX10-B	G1/8	G3/8	20.7	64
ABM/ABX10-NB	NPSF1/8	NPSF3/8	20.7	64
ABM/ABX20-B	G1/8	G3/8	28	77
ABM/ABX20-NB	NPSF1/8	NPSF3/8	28	77
ABM/ABX30-B	G1/8	G3/8	35	89
ABM/ABX30-NB	NPSF1/8	NPSF3/8	35	89



ABM(5-30)-C/NC ABX(5-30)-C/NC

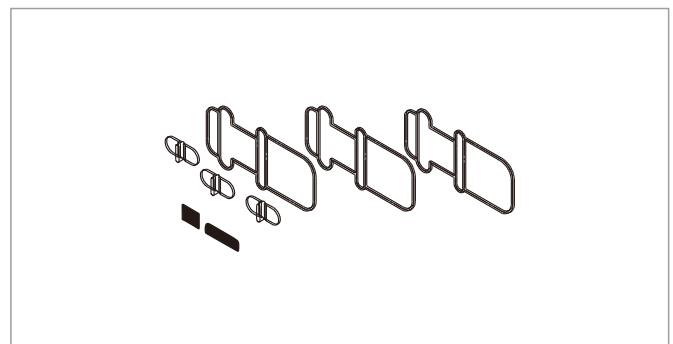
Model/size	G1	G2	L	Weight g
ABM/ABX5-C	G1/8	G3/8	20.7	84
ABM/ABX5-NC	NPSF1/8	NPSF3/8	20.7	84
ABM/ABX10-C	G1/8	G3/8	20.7	87
ABM/ABX10-NC	NPSF1/8	NPSF3/8	20.7	87
ABM/ABX20-C	G1/8	G3/8	28	100
ABM/ABX20-NC	NPSF1/8	NPSF3/8	28	100
ABM/ABX30-C	G1/8	G3/8	35	112
ABM/ABX30-NC	NPSF1/8	NPSF3/8	35	112

Repair kits



ABM10-PK

ABM20-PK



ABM30-PK

Item	Sealing kits model			Model	Applicable vacuum generator
	NBR	F	E		
Sealing kits	ABM10-PK	ABM10-F-PK	ABM10-E-PK	-	ABM/ABX(5-10)
Sealing kits	ABM20-PK	ABM20-F-PK	ABM20-E-PK	-	ABM/ABX20
Sealing kits	ABM30-PK	ABM30-F-PK	ABM30-E-PK	-	ABM/ABX30
Vacuum filter	-	-	-	ZFL10	ABM/ABX(5-30)-B,NB,C,NC
Silencer	-	-	-	ZSA-G3M	ABM/ABX(5-30)-C,NC

AZH Series

Basic Vacuum Generator



Features

- ◇ Single stage vacuum generator with plastic housing
- ◇ High vacuum level type and large vacuum flow type for option
- ◇ Body ported type and box type for option
- ◇ Thread connection or one-touch fitting for port connection

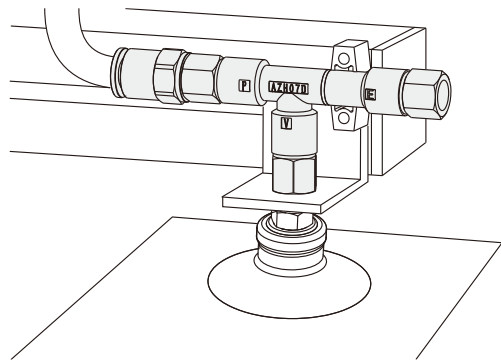
Advantages

- ◇ Small size, light weight and cost-effective
- ◇ Suitable for various occasions
- ◇ Box type with built-in silencer to reduce noise
- ◇ Thread connection and one-touch fitting for option



Applications

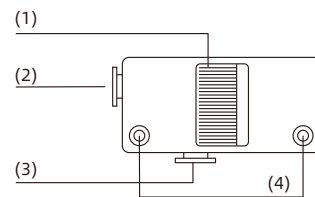
- ◇ Widely used in all kinds of vacuum systems
- ◇ Suitable for various handling operations such as automotive, metal sheet, wood, food and packaging, etc.
- ◇ High vacuum type and large flow type for different occasions



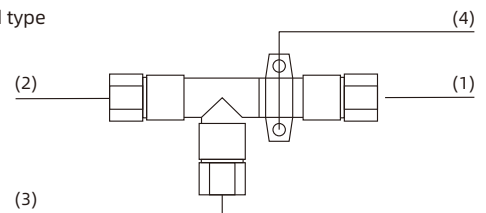
Structure

- ◇ (1) Exhaust port
- ◇ (2) Air supply port
- ◇ (3) Vacuum port
- ◇ (4) Mounting hole

B - Box type



D - Body ported type



AZH Series

Basic Vacuum Generator



How to order

AZH 07 B S - 06 - 06
AZH 07 D S - 01 - 01 - 01
 ① ② ③ ④ ⑤ ⑥ ⑦

① Series	② Nozzle diameter	③ Shape	④ Specification	⑤ Air supply port	⑥ Vacuum port	⑦ Exhaust port
AZH	05 - φ0.5mm	B - Box type	S - High vacuum level type	06 - φ6 One-touch fitting	06 - φ6 One-touch fitting	06 - φ6 One-touch fitting
	07 - φ0.7mm	D - Body ported type	(-88kPa)	08 - φ8 One-touch fitting	10 - φ10 One-touch fitting	08 - φ8 One-touch fitting
	10 - φ1.0mm		L - Large vacuum flow type	10 - φ10 One-touch fitting	12 - φ12 One-touch fitting	10 - φ10 One-touch fitting
	13 - φ1.3mm		(-48kPa)	12 - φ12 One-touch fitting	16 - φ16 One-touch fitting	12 - φ12 One-touch fitting
	15 - φ1.5mm			01 - Rc1/8 Female thread	01 - Rc1/8 Female thread	16 - φ16 One-touch fitting
	18 - φ1.8mm			02 - Rc1/4 Female thread	02 - Rc1/4 Female thread	01 - Rc1/8 Female thread
	20 - φ2.0mm			03 - Rc3/8 Female thread	03 - Rc3/8 Female thread	02 - Rc1/4 Female thread
					04 - Rc1/2 Female thread	03 - Rc3/8 Female thread
						04 - Rc1/2 Female thread

Selection-Box type

Model/Shape BS		BL	
AZH05BS-06-06	AZH05BS-01-01	AZH05BL-06-06	AZH05BL-01-01
AZH07BS-06-06	AZH07BS-01-01	AZH07BL-06-06	AZH07BL-01-01
AZH10BS-06-06	AZH10BS-01-01	AZH10BL-06-06	AZH10BL-01-01
AZH13BS-08-10	AZH13BS-01-02	AZH13BL-08-10	AZH13BL-01-02

Selection-Body ported type

Model/Shape DS		DL	
AZH05DS-06-06-06	AZH05DS-01-01-01	AZH05DL-06-06-06	AZH05DL-01-01-01
AZH07DS-06-06-06	AZH07DS-01-01-01	AZH07DL-06-06-06	AZH07DL-01-01-01
AZH10DS-06-06-08	AZH10DS-01-01-01	AZH10DL-06-06-08	AZH10DL-01-01-01
AZH13DS-08-10-10	AZH13DS-01-02-02	AZH13DL-08-10-10	AZH13DL-01-02-02
AZH15DS-10-12-12	AZH15DS-02-03-03	AZH15DL-10-12-12	AZH15DL-02-03-03
AZH18DS-12-12-12	AZH18DS-03-03-03	AZH18DL-12-12-12	AZH18DL-03-03-03
AZH20DS-12-16-16	AZH20DS-03-04-04	AZH20DL-12-16-16	AZH20DL-03-04-04

Technical parameters

Model	Rated air supply pressure bar	Max. vacuum level -kPa		Max. vacuum flow NL/min		Air consumption NL/min	Noise level dB(A)	Working temperature °C	Weight g	Recommended hose dia.(mm)		
		S	L	S	L					Air supply port S	Vacuum port V	Exhaust port E
AZH05B	4.5	88	48	5	9	13.5	68	5~50	28	φ6	φ6	-
AZH07B	4.5	88	48	12	22	23.5	68	5~50	28	φ6	φ6	-
AZH10B	4.5	88	48	24	34	46.0	72	5~50	33	φ6	φ6	-
AZH13B	4.5	88	48	40	75	78.0	72	5~50	66	φ8	φ10	-

AZH Series

Basic Vacuum Generator



Technical parameters

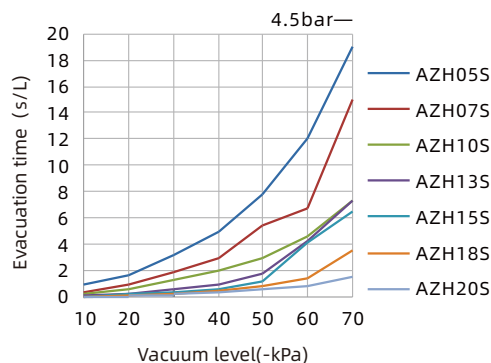
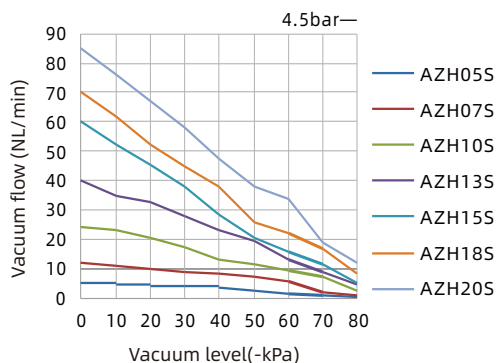
Model	Rated air supply pressure bar	Max. vacuum level -kPa		Max. vacuum flow NL/min		Air consumption NL/min	Noise level dB(A)	Working temperature °C	Weight g	Recommended hose dia.(mm)		
		S	L	S	L					Air supply port S	Vacuum port V	Exhaust port E
AZH05D	4.5	88	48	7.5	9	13.5	75	5~50	11	φ6	φ6	φ6
AZH07D	4.5	88	48	12	22	23.5	75	5~50	12	φ6	φ6	φ6
AZH10D	4.5	88	48	24	34	46.0	68	5~50	16	φ6	φ6	φ8
AZH13D	4.5	88	48	40	75	78.0	68	5~50	27	φ8	φ10	φ10
AZH15D	4.5	88	53	60	80	97.0	72	5~50	43	φ10	φ12	φ12
AZH18D	4.5	88	53	70	110	150.0	72	5~50	55	φ12	φ12	φ12
AZH20D	4.5	88	53	85	140	185.0	75	5~50	95	φ12	φ16	φ16

Vacuum flow(NL/min) at different vacuum levels(-kPa)

Model	Air supply pressure bar	Air consumption NL/min	Vacuum level(-kPa)										Max. vacuum level -kPa
			0	10	20	30	40	50	60	70	80		
AZH05S	4.5	13.5	5.0	4.5	4.1	3.8	3.3	2.3	1.6	0.9	0.3	88	
AZH07S	4.5	23.5	12.0	11.0	10.0	9.0	8.0	7.0	5.5	2.1	0.8	88	
AZH10S	4.5	46.0	24.0	23.0	20.5	17.5	13.0	11.5	9.5	7.0	2.5	88	
AZH13S	4.5	78.0	40.0	35.0	32.5	28.0	23.0	19.5	13.0	9.0	4.5	88	
AZH15S	4.5	97.0	60.0	52.5	45.5	38.0	28.5	20.5	15.5	11.5	5.0	88	
AZH18S	4.5	150.0	70.0	62.0	52.0	45.0	38.0	26.0	22.0	16.5	8.5	88	
AZH20S	4.5	185.0	85.0	76.0	67.0	58.0	47.5	38.0	33.5	19.0	12.0	88	

Evacuation time(s/L) to reach different vacuum levels(-kPa)

Model	Air supply pressure bar	Air consumption NL/min	Vacuum level(-kPa)								Max. vacuum level -kPa
			10	20	30	40	50	60	70		
AZH05S	4.5	13.5	0.89	1.70	3.20	5.00	7.80	12.00	19.00	88	
AZH07S	4.5	23.5	0.37	1.00	1.90	3.00	5.40	6.70	15.00	88	
AZH10S	4.5	46.0	0.25	0.60	1.25	2.00	2.90	4.60	7.30	88	
AZH13S	4.5	78.0	0.10	0.27	0.53	1.00	1.75	4.20	7.30	88	
AZH15S	4.5	97.0	0.04	0.21	0.35	0.63	1.23	4.10	6.50	88	
AZH18S	4.5	150.0	0.02	0.15	0.29	0.46	0.78	1.38	3.51	88	
AZH20S	4.5	185.0	0.02	0.12	0.21	0.34	0.55	0.85	1.58	88	



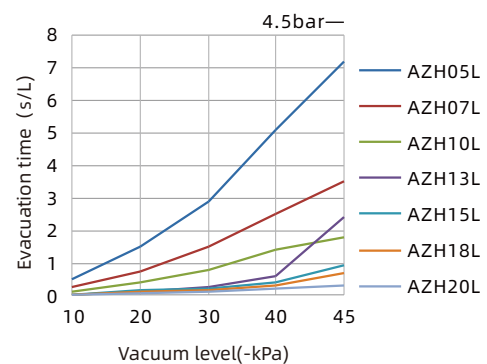
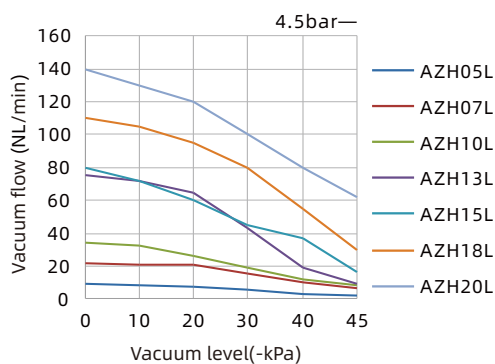
Vacuum flow(NL/min) at different vacuum levels(-kPa)

Model	Air supply pressure bar	Air consumption NL/min	0	10	20	30	40	45	Max. vacuum level -kPa
AZH05L	4.5	13.5	9.0	8.0	7.0	6.0	3.0	1.9	48
AZH07L	4.5	23.5	22.0	21.0	20.5	15.5	10.5	6.8	48
AZH10L	4.5	46.0	34.0	32.0	26.0	19.0	12.0	8.0	48
AZH13L	4.5	78.0	75.0	72.0	65.0	43.0	19.0	9.0	48
AZH15L	4.5	97.0	80.0	72.0	60.0	45.0	36.5	16.0	53
AZH18L	4.5	150.0	110.0	105.0	95.0	80.0	55.0	30.0	53
AZH20L	4.5	185.0	140.0	130.0	120.0	100.0	80.0	62.0	53

Evacuation time(s/L) to reach different vacuum levels(-kPa)

Model	Air supply pressure bar	Air consumption NL/min	10	20	30	40	45	Max. vacuum level -kPa
AZH05L	4.5	13.5	0.49	1.50	2.90	5.10	7.20	48
AZH07L	4.5	23.5	0.28	0.75	1.50	2.50	3.50	48
AZH10L	4.5	46.0	0.14	0.40	0.81	1.40	1.80	48
AZH13L	4.5	78.0	0.04	0.12	0.24	0.62	2.40	48
AZH15L	4.5	97.0	0.03	0.15	0.23	0.40	0.92	53
AZH18L	4.5	150.0	0.02	0.10	0.18	0.32	0.67	53
AZH20L	4.5	185.0	0.01	0.08	0.14	0.20	0.30	53

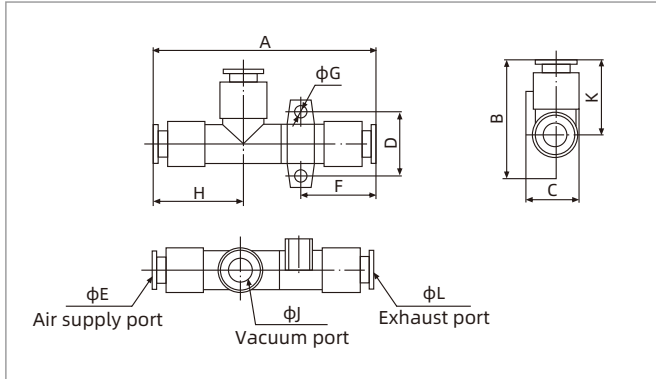
Technical parameters



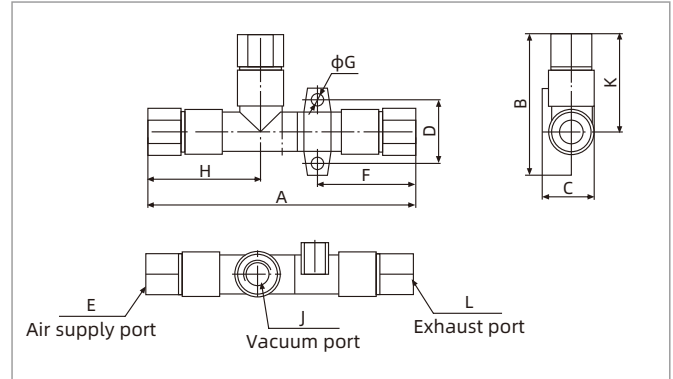
AZH Series

Basic Vacuum Generator

Dimensions(mm)



AZH - D Body ported type(One-touch fitting)



AZH - D Body ported type(Female thread connection)

Model/Size	A	B	C	D	E	F	G	H	L	K	J
AZH05DS-06-06-06	58.5	34.0	14.2	17.0	6	21.0	3.2	24.0	6	22.0	6
AZH07DS-06-06-06	61.0	34.0	14.2	17.0	6	22.0	3.2	24.0	6	22.0	6
AZH10DS-06-06-08	66.0	37.0	17.2	20.0	6	24.5	4.2	26.0	8	23.0	6
AZH10DL-06-06-08	70.0	37.0	17.2	20.0	6	24.5	4.2	26.0	8	23.0	6
AZH13DS-08-10-10	74.0	42.5	20.0	22.0	8	27.0	4.2	28.0	10	27.5	10
AZH13DL-08-10-10	79.5	42.5	20.0	22.0	8	27.0	4.2	28.0	10	27.5	10
AZH15DS-10-12-12	93.3	47.0	22.5	27.0	10	32.8	4.2	31.5	12	29.5	12
AZH18DS-12-12-12	114.0	41.0	21.0	10.0	12	50.0	3.5	35.5	12	30.5	12
AZH20DS-12-16-16	124.6	46.0	27.0	12.0	12	54.3	3.5	38.5	16	32.7	16

AZH - D Body ported type(One-touch fitting)

Model/Size	A	B	C	D	E	F	G	H	L	K	J
AZH05DS-01-01-01	73.5	41.5	14.2	17.0	Rc1/8	28.5	3.2	31.5	Rc1/8	29.5	Rc1/8
AZH07DS-01-01-01	76.0	41.5	14.2	17.0	Rc1/8	29.5	3.2	31.5	Rc1/8	29.5	Rc1/8
AZH10DS-01-01-01	82.0	44.5	17.2	20.0	Rc1/8	33.0	4.2	33.5	Rc1/8	30.5	Rc1/8
AZH10DL-01-01-01	86.0	44.5	17.2	20.0	Rc1/8	33.0	4.2	33.5	Rc1/8	30.5	Rc1/8
AZH13DS-01-02-02	94.5	54.0	20.0	22.0	Rc1/8	38.5	4.2	36.5	Rc1/4	39.0	Rc1/4
AZH13DL-01-02-02	99.5	54.0	20.0	22.0	Rc1/8	38.5	4.2	36.5	Rc1/4	39.0	Rc1/4
AZH15DS-02-03-03	116.5	58.5	22.5	27.0	Rc1/4	44.5	4.2	43.0	Rc3/8	41.0	Rc3/8
AZH18DS-03-03-03	133.0	52.5	21.0	10.0	Rc3/8	57.5	3.5	47.0	Rc3/8	42.0	Rc3/8
AZH20DS-03-04-04	151.0	61.0	27.0	12.0	Rc3/8	69.3	3.5	50.0	Rc1/2	47.7	Rc1/2

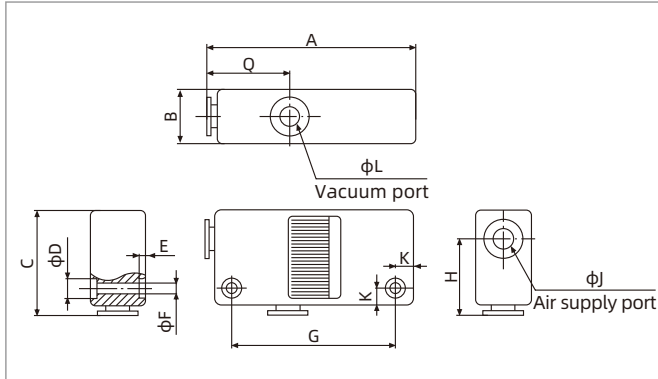
AZH - D Body ported type(Female thread connection)

AZH Series

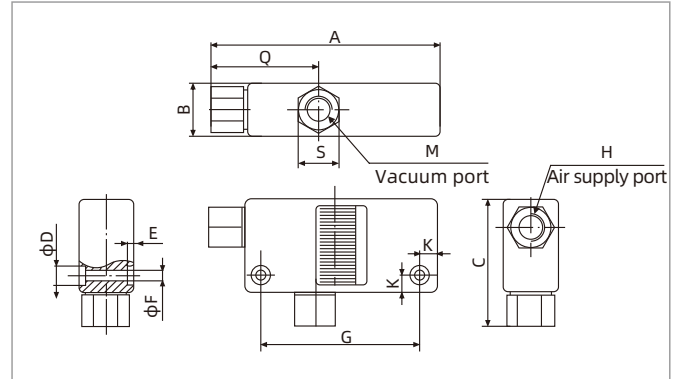
Basic Vacuum Generator



Dimensions(mm)



AZH - B Box type(One-touch fitting)



AZH - B Box type(Female thread connection)

Model/Size	A	B	C	D	E	F	G	H	Q	L	K	J
AZH05B-06-06	60	16	31	5.8	2	3.2	47	22	24	6	5	6
AZH07B-06-06	60	16	31	5.8	2	3.2	47	22	24	6	5	6
AZH10B-06-06	63	18	32	5.8	2	3.2	50	23	26	6	5	6
AZH13B-08-10	78	23	38.5	7.5	3	4.2	61	27.5	28	10	7	8

AZH - B Box type(One-touch fitting)

Model/Size	A	B	C	D	E	F	G	H	Q	M	K	S
AZH05B-01-01	68	16	39	5.8	2	3.2	47	Rc1/8	31.5	Rc1/8	5	12
AZH07B-01-01	68	16	39	5.8	2	3.2	47	Rc1/8	31.5	Rc1/8	5	12
AZH10B-01-01	71	18	40	5.8	2	3.2	50	Rc1/8	33.5	Rc1/8	5	12
AZH13B-01-02	86.5	23	50	7.5	3	4.2	61	Rc1/8	36.5	Rc1/4	7	14

AZH - B Box type(Female thread connection)

SFT Series

Thin Lip Flat Suction Cup



PAPER



PLASTIC BAG



GLASS



SOLAR



COMPOSITE MATERIAL



ANTI-DEFORMATION



Features

- ◇ Ultra-thin sealing lip
- ◇ High temperature and mark free material is optional

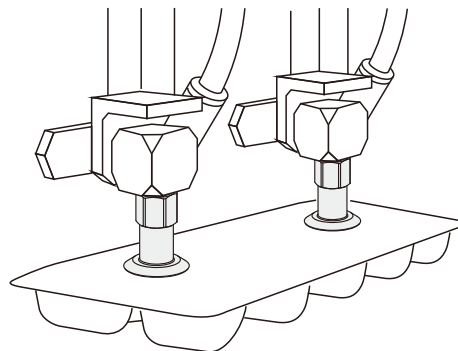
Advantages

- ◇ Suitable for film, paper and solar panels
- ◇ Prevent the workpiece from being sucked into the suction cup
- ◇ Suction without mark, can also for high temperature and mark free
- ◇ Prevent paper and film from wrinkling
- ◇ High temperature resistance, ozone resistance and UV radiation, suitable for handling in paper and printing industry



Applications

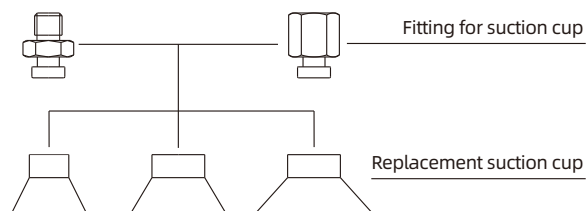
- ◇ Handling all kinds of packaging materials, such as paper, plastic film, opening plastic bag
- ◇ Handling fragile workpieces, such as thin wooden panels, solar silicon wafers, solar cell



Structure

- ◇ Suction cup and fitting are split structure design, wearing parts can be replaced separately

In same series, replacement suction cup and fitting can be combined on request.



SFT Series

Thin Lip Flat Suction Cup

How to order

SFT 15 HD - M5M

① ② ③ ④

① Series	② Diameter	③ Material & Hardness	④ Connection thread
SFT	15 - ϕ 15mm	WS - White silicone	50 Nil - Suction cup only
	20 - ϕ 20mm	HD - High temp/ Mark free material	60 M5M - M5x0.8 male thread
	24 - ϕ 24mm	NR - Natural rubber	40 G1M - G1/8 male thread
	30 - ϕ 30mm		G2M - G1/4 male thread
	34 - ϕ 34mm		G1F - G1/8 female thread
	35 - ϕ 35mm		G2F - G1/4 female thread
	40 - ϕ 40mm		

Selection

Model	Connection thread	
	M - Male thread	F - Female thread
SFT15□	SFT15□-M5M SFT15□-G1M	SFT15□-G1F
SFT20□	SFT20□-M5M SFT20□-G1M	SFT20□-G1F
SFT24□	SFT24□-M5M SFT24□-G1M	SFT24□-G1F
SFT30□	SFT30□-G2M	SFT30□-G2F
SFT34□	SFT34□-G2M	SFT34□-G2F
SFT35□	SFT35□-G2M	SFT35□-G2F
SFT40□	SFT40□-G2M	SFT40□-G2F

Technical parameters

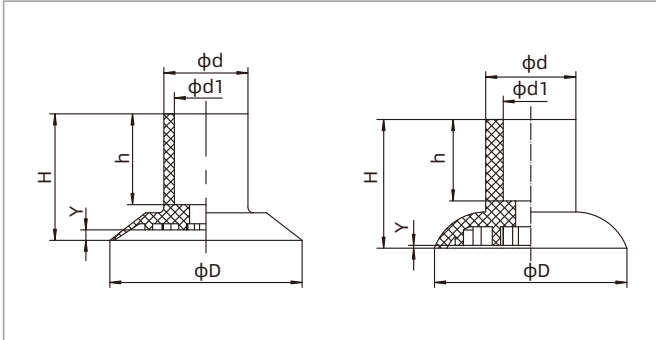
Model	Pull-out force N	Inner volume cm ³	Min.curve radius of workpiece mm	Weight g	Recommended hose dia. mm	MPQ pcs
SFT15	8	0.2	16	0.5	6	10
SFT20	14	0.5	18	0.8	6	5
SFT24	20	0.7	23	1	6	5
SFT30	32	1.3	28	2.7	8	5
SFT34	41	2	33	3.1	8	5
SFT35	43	1.5	19	5.8	8	5
SFT40	56.5	3	39	4.5	8	5

◇ Note: Testing vacuum level -60kPa, workpiece with smooth and clean surface. The data of pull-out force as above are figured out without considering safety factor. The data may be different according to different workpiece surfaces. Recommend the length of vacuum hose to be as short as possible, max 2m.

SFT Series

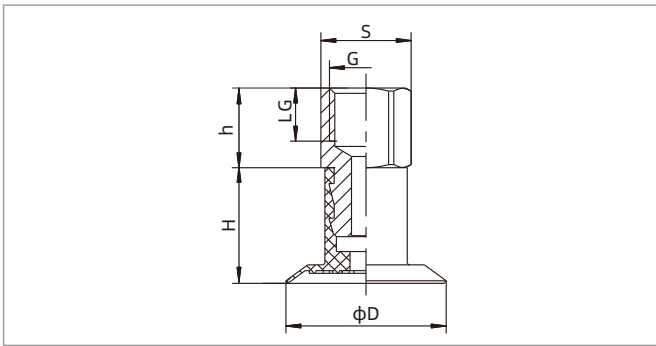
Thin Lip Flat Suction Cup

Dimensions(mm) - Suction cup only

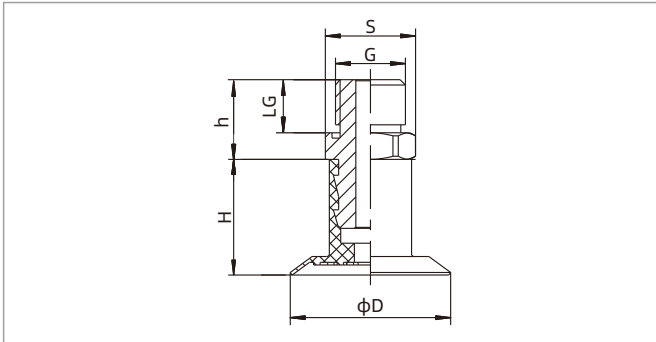


SFT15-40

SFT35



SFT - Female thread connection



SFT - Male thread connection

Model/Size	D	H	d	h	d1	Y
SFT15□	14.5	10	9	7.2	4.5	0.9
SFT20□	20.9	10.4	10.5	7.2	4.5	1.5
SFT24□	24.4	10.8	10	7.2	4.5	1.7
SFT30□	30.6	21.8	15.6	15.7	11.2	2
SFT34□	34.5	23	14.8	16.8	11.2	1.4
SFT35□	35	23.5	16.5	14.8	10	0.5
SFT40□	40.5	20.5	16	14.5	8	2.3

Model/Size	D	H	h	G	LG	S
SFT15□-G1F	14.5	10	12	G1/8	8	14
SFT20□-G1F	20.9	10.4	12	G1/8	8	14
SFT24□-G1F	24.4	10.8	12	G1/8	8	14
SFT30□-G2F	30.6	21.8	15	G1/4	10	17
SFT34□-G2F	34.5	23	15	G1/4	10	17
SFT35□-G2F	35	23.5	15	G1/4	10	17
SFT40□-G2F	40.5	20.5	15	G1/4	10	17

Model/Size	D	H	h	G	LG	S
SFT15□-M5M	14.5	10	10	M5×0.8	5	7
SFT15□-G1M	14.5	10	13.5	G1/8	7.5	14
SFT20□-M5M	20.9	10.4	10	M5×0.8	5	7
SFT20□-G1M	20.9	10.4	13.5	G1/8	7.5	14
SFT24□-M5M	24.4	10.8	10	M5×0.8	5	7
SFT24□-G1M	24.4	10.8	13.5	G1/8	7.5	14
SFT30□-G2M	30.6	21.8	15	G1/4	10	17
SFT34□-G2M	34.5	23	15	G1/4	10	17
SFT35□-G2M	35	23.5	15	G1/4	10	17
SFT40□-G2M	40.5	20.5	15	G1/4	10	17

◇ Note: The dimensional tolerance conforms to GBT3672.1-2002-1 M3 rubber product dimensional tolerance standard

Mounting parts

Item	Model M - Male thread	F - Female thread	Applicable suction cup
Fitting for suction cup	PJS-M5M-SFT24	-	SFT15, 20, 24
	PJS-G1M-SFT24	PJS-G1F-SFT24	SFT15, 20, 24
	PJS-G2M-SFT34	PJS-G2F-SFT34	SFT30, 34
	PJS-G2M-SFT35	PJS-G2F-SFT35	SFT35
	PJS-G2M-SFT40	PJS-G2F-SFT40	SFT40

SZ Series

Standard Suction Cup

AIRBEST



Features

- ◇ Available in various shapes: U type, C type, B type and D type
- ◇ Simple structure
- ◇ Conductive material available
- ◇ Available in various sizes

Advantages

- ◇ Small size and light weight
- ◇ Suitable for workpieces of various sizes and shapes



B-Bellows type

D-Deep type

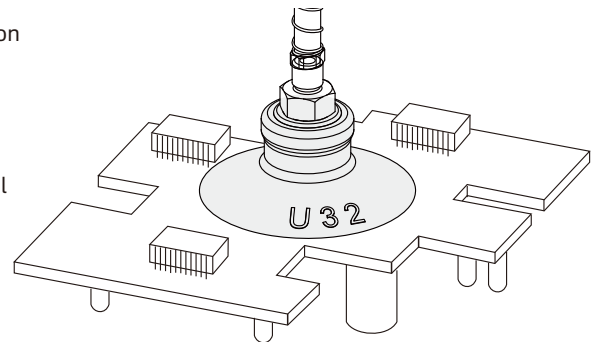


U-Flat type

C-Flat type with ribs

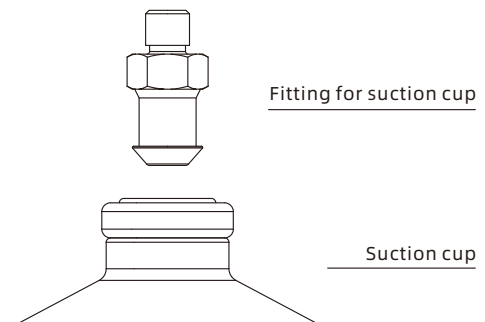
Applications

- ◇ U type suitable for workpieces with even surface and without deformation
- ◇ C type suitable for easily deformed workpieces
- ◇ B type suitable for workpieces with inclined surface
- ◇ D type suitable for spherical objects
- ◇ Suitable for handling of paper box, small sized semiconductor, spherical objects and food, ect.
- ◇ Conductive material suitable for 3C industry



Structure

- ◇ Split structure for easy replacement of wearing parts



SZ Series

Standard Suction Cup

How to order

SZ B 10 N
 ① ② ③ ④

① Series	② Suction cup type	③ Diameter		④ Material & Hardness	
SZ	U - Flat	2 - φ2mm	16 - φ16mm	N - NBR	50
	C - Flat with ribs	4 - φ4mm	20 - φ20mm	WS - White silicone	45
	B - 1.5 bellows	6 - φ6mm	25 - φ25mm	CN - Conductive NBR	55
	D - Deep	8 - φ8mm	32 - φ32mm	CS - Conductive silicone	55
			10 - φ10mm	40 - φ40mm	HP - Mark free rubber
		13 - φ13mm	50 - φ50mm		

◇ Note: HP material is not for all sizes. Please contact AIRBEST if need

Selection

Diameter of suction cup	Suction cup type U - Flat	C - Flat with ribs	B - 1.5 Bellows	D - Deep
φ2	SZU2□	-	-	-
φ4	SZU4□	-	-	-
φ6	SZU6□	-	SZB6□	-
φ8	SZU8□	-	SZB8□	-
φ10	SZU10□	SZC10□	SZB10□	SZD10□
φ13	SZU13□	SZC13□	SZB13□	-
φ16	SZU16□	SZC16□	SZB16□	SZD16□
φ20	SZU20□	SZC20□	SZB20□	-
φ25	SZU25□	SZC25□	SZB25□	SZD25□
φ32	SZU32□	SZC32□	SZB32□	-
φ40	SZU40□	SZC40□	SZB40□	SZD40□
φ50	SZU50□	SZC50□	SZB50□	-

SZ Series

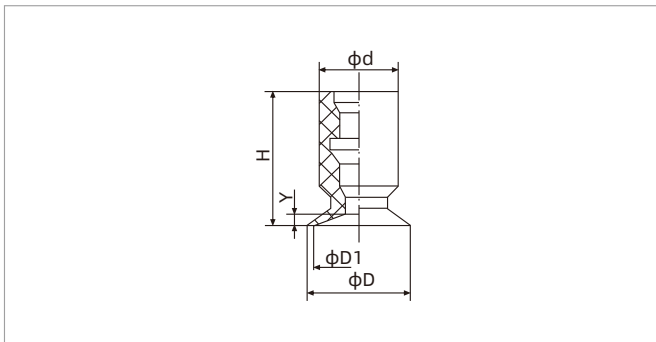
Standard Suction Cup

Technical parameters

Diameter of suction cup	Pull-out force N	Inner volume(cm ³)				Recommended hose dia. mm	MPQ pcs
		SZU	SZC	SZB	SZD		
φ2	0.15	< 0.1	-	-	-	4	10
φ4	0.6	< 0.1	-	-	-	4	10
φ6	1.2	< 0.1	-	< 0.1	-	4	10
φ8	2.2	< 0.1	-	< 0.1	-	4	10
φ10	3.5	0.15	0.15	0.3	0.3	6	10
φ13	6	0.2	0.2	0.9	-	6	10
φ16	9.6	0.3	0.3	1.3	0.6	6	10
φ20	15	0.6	0.6	2.2	-	6	5
φ25	24	0.9	0.9	3.3	1.5	6	5
φ32	38	1.6	1.6	7.2	-	6	5
φ40	60	3.5	3.5	15	9	6	1
φ50	92	6	6	25	-	6	1

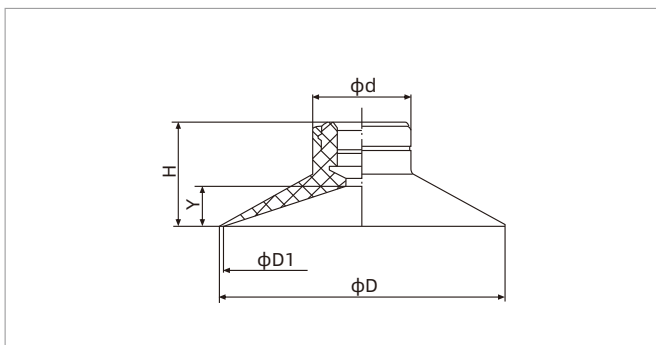
◇ Note: Testing vacuum level -60kPa, workpiece with smooth and clean surface. The data of pull-out force as above are figured out without considering safety factor. The data may be different according to different workpiece surfaces. Recommend the length of vacuum hose to be as short as possible, max 2m.

Dimensions(mm)



SZU2-8

Model/Size	D	D1	H	d	Y	Weight g
SZU2□	2.6	2	12	7	0.5	0.3
SZU4□	4.8	4	12	7	0.8	0.3
SZU6□	7	6	12	7	0.8	0.4
SZU8□	9	8	12	7	1	0.4



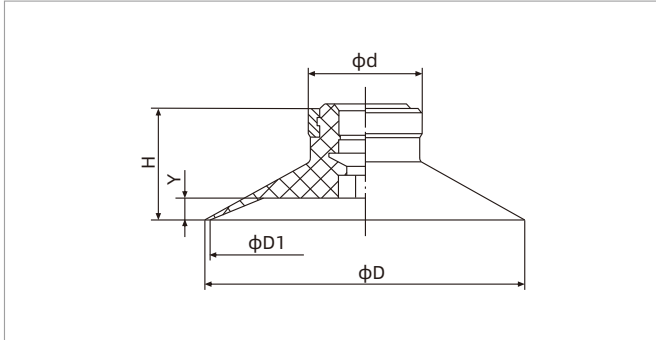
SZU10-50

Model/Size	D	D1	H	d	Y	Weight g
SZU10□	12	10	12	13	3	0.8
SZU13□	15	13	12	13	3	0.8
SZU16□	18	16	12.5	13	3.5	0.9
SZU20□	23	20	14	15	4	1.6
SZU25□	28	25	14	15	4	1.8
SZU32□	35	32	14.5	15	4.5	2.3
SZU40□	43	40	18.5	18	6.5	5.5
SZU50□	53	50	19.5	18	7.5	6.9

SZ Series

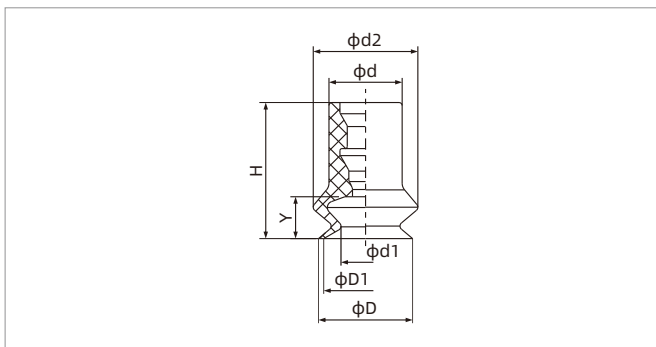
Standard Suction Cup

Dimensions(mm)



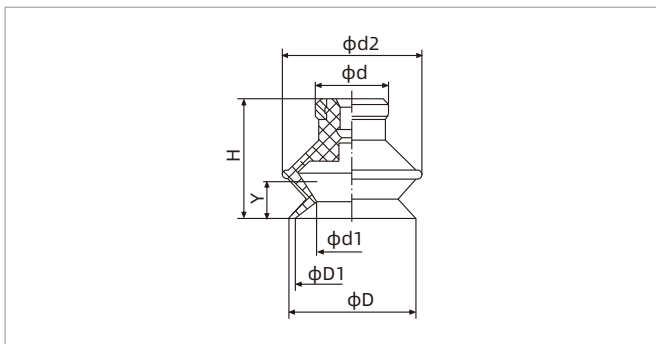
SZC10-50

Model/Size	D	D1	H	d	Y	Weight g
SZC10□	12	10	12	13	1.7	0.8
SZC13□	15	13	12	13	1.8	1.0
SZC16□	18	16	12.5	13	1.2	0.9
SZC20□	23	20	14	15	1.7	1.6
SZC25□	28	25	14	15	1.8	2.1
SZC32□	35	32	14.5	15	2.3	2.4
SZC40□	43	40	18.5	18	3.3	5.5
SZC50□	53	50	19.5	18	3.8	7.3



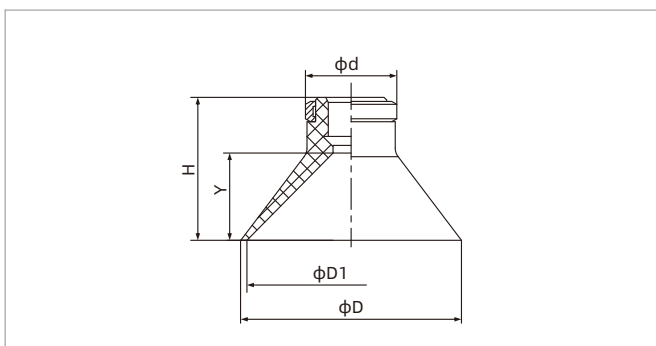
SZB6-8

Model/Size	D	D1	H	d	d1	d2	Y	Weight g
SZB6□	7	6	13	7	3.3	9.1	4	0.4
SZB8□	9	8	13	7	4.7	10.1	4	0.4



SZB10-50

Model/Size	D	D1	H	d	d1	d2	Y	Weight g
SZB10□	12	10	16	13	5.5	13.8	4	1.1
SZB13□	15	13	18.5	13	8.7	19	4	1.7
SZB16□	18	16	20	13	9.9	21	4	2.1
SZB20□	22	20	23.5	15	12.4	25	4	2.9
SZB25□	27	25	24	15	15.6	28	4	3.9
SZB32□	34	32	29	15	18.9	37	4	6.7
SZB40□	43	40	34	18	24.4	48	4	13.3
SZB50□	53	50	38	18	32.4	57	4	18.8



SZD10-40

Model/Size	D	D1	H	d	Y	Weight g
SZD10□	12	10	15	13	6	1.0
SZD16□	18	16	16	13	7	1.2
SZD25□	28	25	20	15	10	1.8
SZD40□	43.5	40	28	18	17	5.9

◇ Note: The dimensional tolerance conforms to GBT3672.1-2002-1 M3 rubber product dimensional tolerance standard

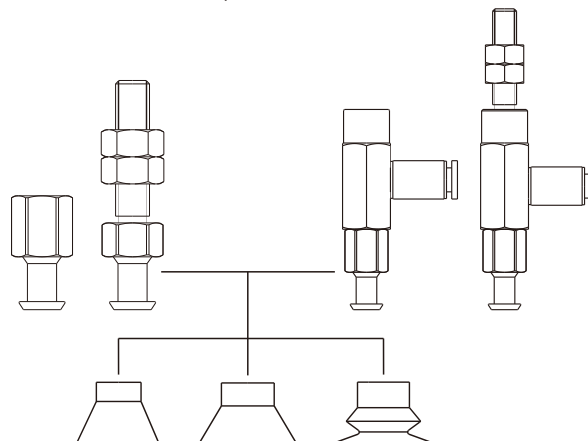
SZ Series

Suction Cup with Locking Fitting

Structure

- ◇ Consisting of replacement suction cup and locking fitting
- ◇ Plug-in fitting for suction cup
- ◇ Vertical vacuum port, male and female thread for mounting
- ◇ Lateral vacuum port, male and female thread for mounting

In the same series, replacement suction cup and locking fitting can be combined as required



How to order

SZU10N - LA6 - M5M

① ② ③

① Model	② Vacuum port direction	③ Mounting thread
SZU10N	Nil - Vertical	M5M - M5×0.8 male thread
SZC	LA4 - Lateral, one-touch fitting φ4 hose	M6M - M6×1 male thread
SZB	LA6 - Lateral, one-touch fitting φ6 hose	M8M - M8×1 male thread
SZD		M5F - M5×0.8 female thread
		M8F - M8×1.25 female thread

◇ Please refer to page 38 for suction cup selection

Selection

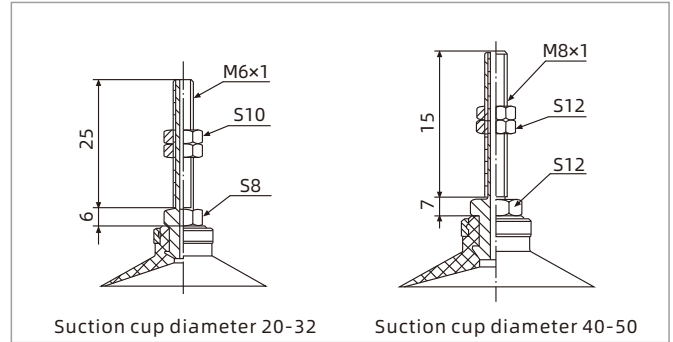
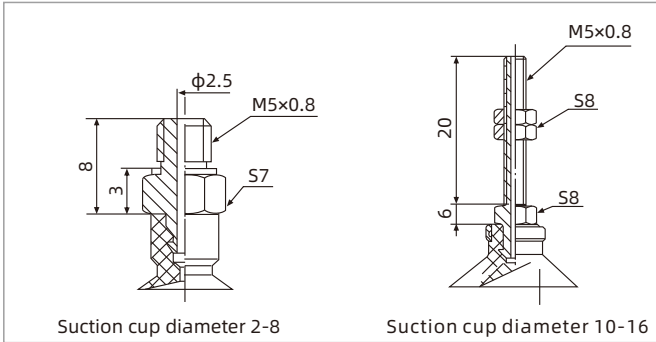
Diameter of suction cup	Vacuum port direction			Mounting thread				
	Nil	LA4	LA6	M5M	M6M	M8M	M5F	M8F
2-8	●	●	●	●	-	-	●	-
10-16	●	●	●	●	-	-	●	-
20-32	●	●	●	-	●	-	●	-
40-50	●	-	●	-	-	●	-	●

◇ Note: "●" default, in stock, "-" unavailable

SZ Series

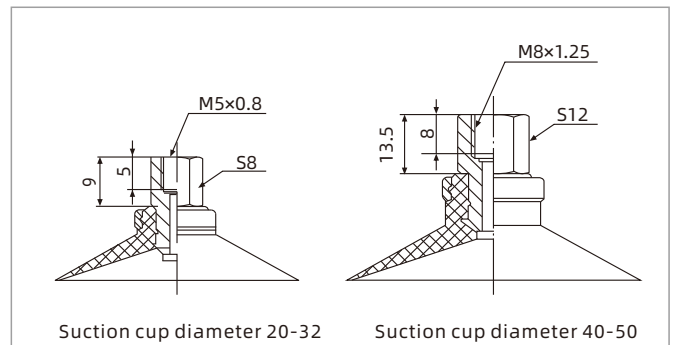
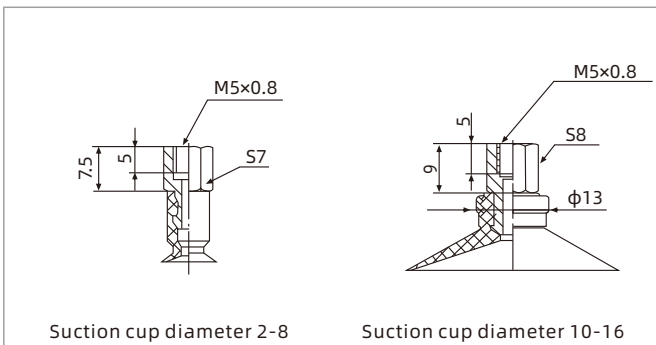
Suction Cup with Locking Fitting

Dimensions(mm)



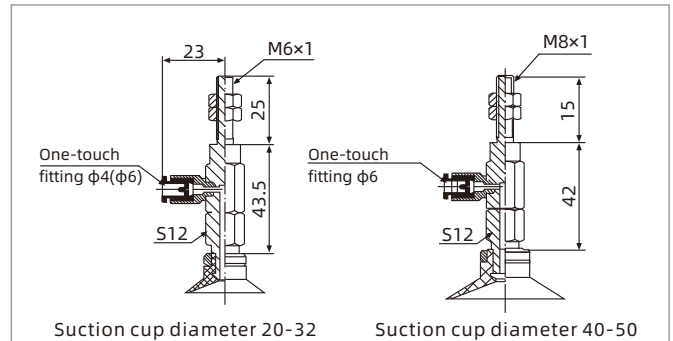
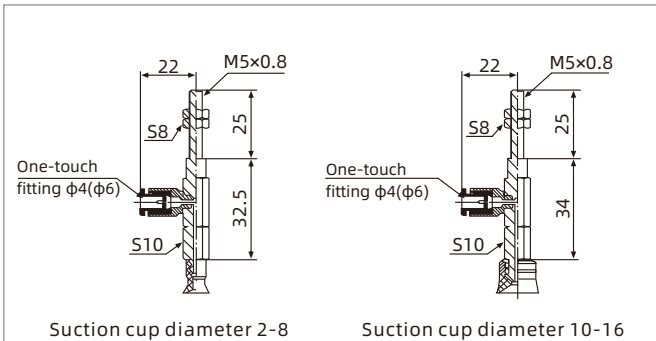
Vertical-Male thread connection

Vertical-Male thread connection



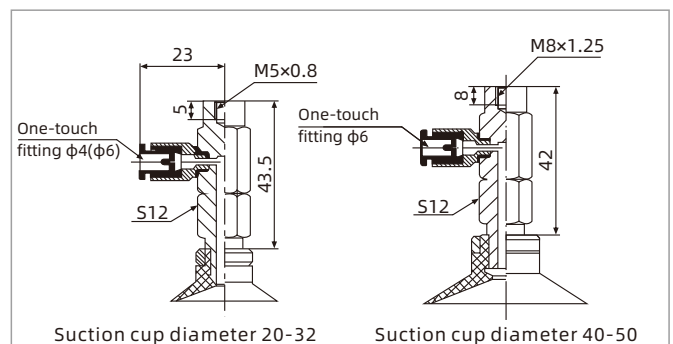
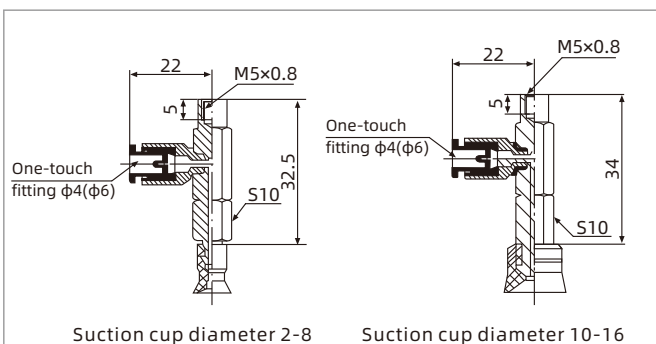
Vertical-Female thread connection

Vertical-Female thread connection



Lateral-Male thread connection

Lateral-Male thread connection



Lateral-Female thread connection

Lateral-Female thread connection

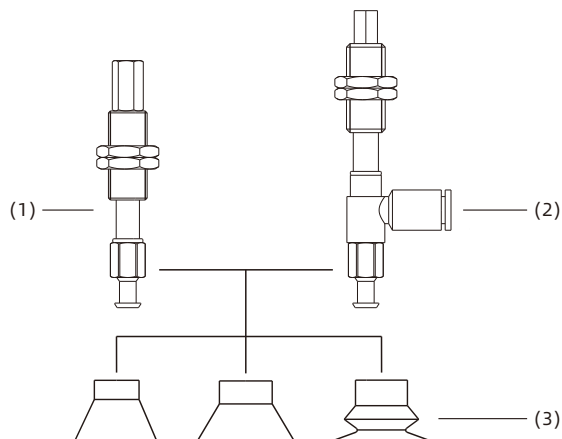
SZ Series

Suction Cup with Level Compensator

Structure

- ◇ Consisting of replacement suction cup(3) and level compensator
- ◇ Plug-in fitting for suction cup
- ◇ Vertical vacuum port(1), male thread for mounting
- ◇ Lateral vacuum port(2), male thread for mounting

In the same series, replacement suction cup and locking fitting can be combined as required



How to order

SZU10N - E I 10 R A6 - M10
 ① ② ③ ④ ⑤ ⑥ ⑦

① Model	② Level compensator type	③ Buffer type	④ Buffer stroke	⑤ Rotary type	⑥ Vacuum port connection	⑦ Mounting thread
SZU10N	E - PSPE Series	I - Internal spring	6 20	Nil - Vertical rotating	Nil - M5x0.8 female thread	M8 - M8x1
SZC			10 30	R - Vertical non-rotating	A4 - one-touch fitting φ4 hose	M10 - M10x1
SZB			15 40	L - Lateral rotating	A6 - one-touch fitting φ6 hose	M14 - M14x1
SZD			25 50	B - Lateral non-rotating	B4 - Pagoda fitting φ4 hose B6 - Pagoda fitting φ6 hose	

◇ Please refer to page 38 for suction cup selection

Selection

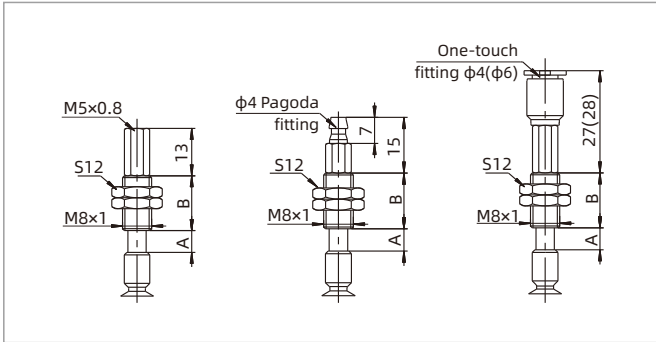
Diameter of suction cup	Buffer stroke	Rotary type				Vacuum port connection					Mounting thread
		Nil	R	L	B	Nil	A4	A6	B4	B6	
2-8	6, 10, 15, 25	●	●	●	●	●	●	●	●	-	M8
10-32	10, 20, 30, 40, 50	●	●	●	●	●	●	●	-	●	M10
40-50	10, 20, 30, 50	●	-	-	-	●	-	-	-	-	M14

◇ Note: "●" default, in stock, "-" unavailable

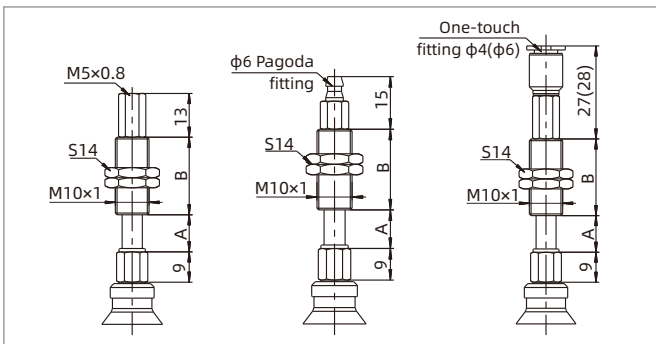
SZ Series

Suction Cup with Level Compensator

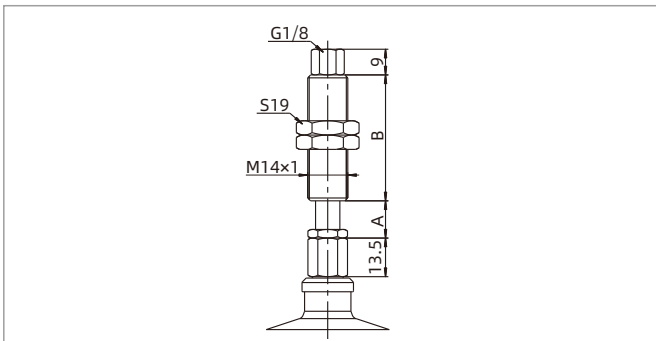
Dimensions(mm)



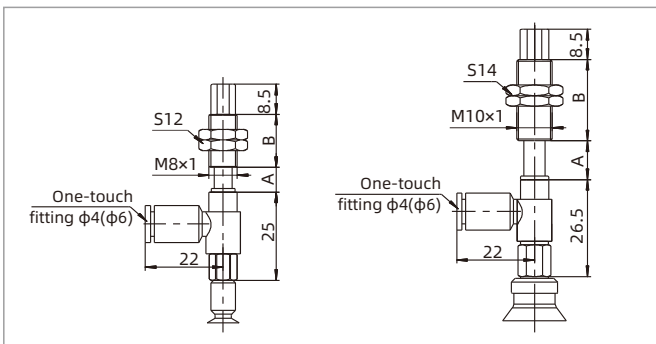
Vertical direction Suction cup diameter 2-8



Vertical direction Suction cup diameter 10-32



Vertical direction Suction cup diameter 40-50



Lateral direction Suction cup diameter 2-8 Suction cup diameter 10-32

Suction cup dia./ Size	A	B	Buffer stroke	F1 (N)	F2 (N)
2-8	6	15	6	0.8	1.2
	11	43	10	0.8	1.2
	16	43	15	0.8	1.2
	26	43	25	0.8	1.2

Suction cup dia./ Size	A	B	Buffer stroke	F1 (N)	F2 (N)
10-32	11.5	23	10	1.0	3.0
	21.5	51	20	1.0	3.0
	31.5	51	30	1.0	3.0
	41.5	77	40	1.0	3.0
	51.5	77	50	1.0	3.0

Suction cup dia./ Size	A	B	Buffer stroke	F1 (N)	F2 (N)
40-50	13	44	10	2.0	5.5
	23	44	20	2.0	5.5
	33	44	30	2.0	5.5
	53	75	50	2.0	5.5

Suction cup dia./ Size	A	B	Buffer stroke	F1 (N)	F2 (N)
2-8	8	15	6	0.8	1.2
	11	43	10	0.8	1.2
	16	43	15	0.8	1.2
	26	43	25	0.8	1.2
10-32	11	23	10	1.0	3.0
	21	51	20	1.0	3.0
	31	51	30	1.0	3.0
	41	77	40	1.0	3.0
	51	77	50	1.0	3.0

◇ Note: "F1" means spring force at 0 stroke, "F2" means spring force at max. stroke

SPA Series

Thin Lip Flat Suction Cup

AIRBEST



PAPER ANTI-DEFORMATION



Features

- ◇ Thin lip, flat and short stroke
- ◇ With support structure at the bottom
- ◇ Available in various sizes

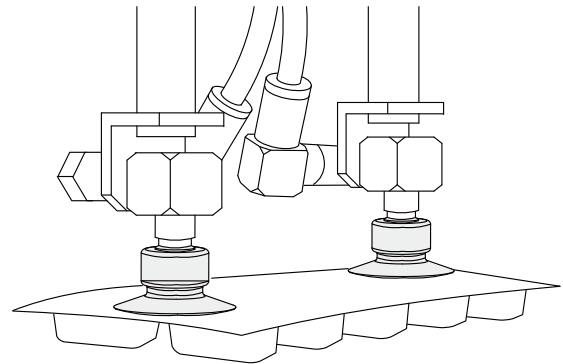
Advantages

- ◇ Good sealing for handling of thin and flat workpieces
- ◇ Prevents fold during handling of paper and thin film
- ◇ Suitable for workpieces of various sizes and shapes



Applications

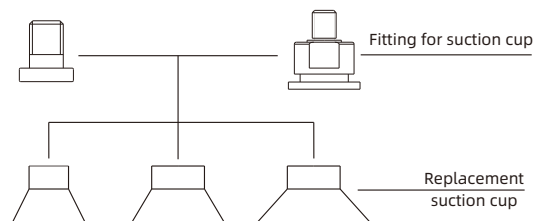
- ◇ Suitable for occasions that has high requirements for mark on product surface during handling, such as paper, plastic film, aluminum foil and copper foil
- ◇ B type suction cup is flat and with thin lip, which is more suitable for handling thin workpieces that are easy to wrinkle, such as aluminum foil, copper foil



Structure

- ◇ Split structure for easy replacement of wearing parts

In the same series, replacement suction cup and fitting can be combined as required



SPA Series

Thin Lip Flat Suction Cup

How to order

SPA 15 A N - M5M

① ② ③ ④ ⑤

① Series	② Diameter	③ Stroke	④ Material & Hardness	⑤ Connection thread
SPA	10 - ϕ 10mm	A	N - NBR 50	Nil - Suction cup only M5M - M5x0.8 male thread M6M - M6x1 male thread M8M - M8x1 male thread
	15 - ϕ 15mm	B	WS - White silicone 50	
	20 - ϕ 20mm	D	CN - Conductive NBR 55	
	30 - ϕ 30mm		CS - Conductive silicone 55	
	40 - ϕ 40mm			
	50 - ϕ 50mm			

Selection

Model	Connection thread M - Male thread	Model	Connection thread M - Male thread
SPA10A□	SPA10A□-M5M	SPA20B□	SPA20B□-M5M
SPA10B□	SPA10B□-M5M	SPA25A□	SPA25A□-M6M SPA25A□-M8M
SPA15A□	SPA15A□-M5M	SPA30A□	SPA30A□-M6M SPA30A□-M8M
SPA15B□	SPA15B□-M5M	SPA30B□	SPA30B□-M5M
SPA15D□	SPA15D□-M5M	SPA40A□	SPA40A□-M6M SPA40A□-M8M
SPA20A□	SPA20A□-M5M	SPA50A□	SPA50A□-M6M SPA50A□-M8M

Technical parameters

Model	Pull-out force N	Inner volume cm ³	Weight g	Recommended hose dia. mm	MPQ pcs
SPA10A	3.5	<0.1	0.3	4	10
SPA10B	3.5	<0.1	0.56	4	10
SPA15A	8	<0.1	0.28	4	10
SPA15B	8	<0.1	0.4	4	10
SPA15D	8	<0.1	0.28	4	10
SPA20A	15	0.3	0.8	4	5
SPA20B	15	<0.1	0.7	4	5
SPA25A	22	0.6	2.0	4	5
SPA30A	32	1.1	2.6	4	5
SPA30B	32	0.2	3.4	4	5
SPA40A	56	2.6	2.6	6	5
SPA50A	88	5.8	4.3	6	1

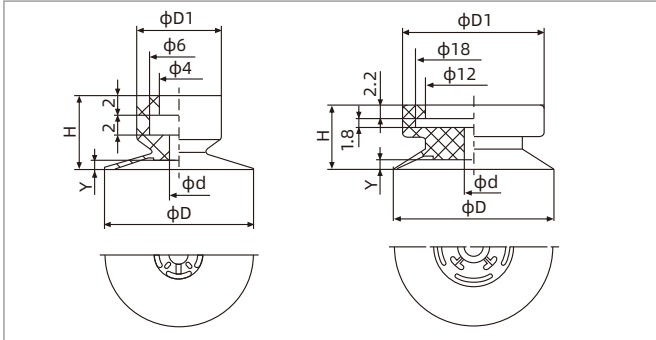
◇ Note: Testing vacuum level -60kPa, workpiece with smooth and clean surface. The data of pull-out force as above are figured out without considering safety factor. The data may be different according to different workpiece surfaces. Recommend the length of vacuum hose to be as short as possible, max 2m.

SPA Series

Thin Lip Flat Suction Cup

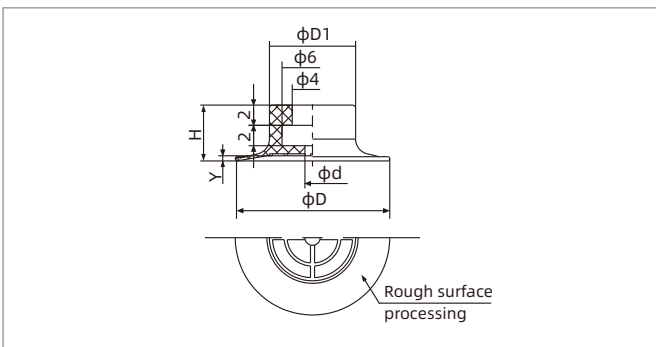


Dimensions(mm) - Suction cup only

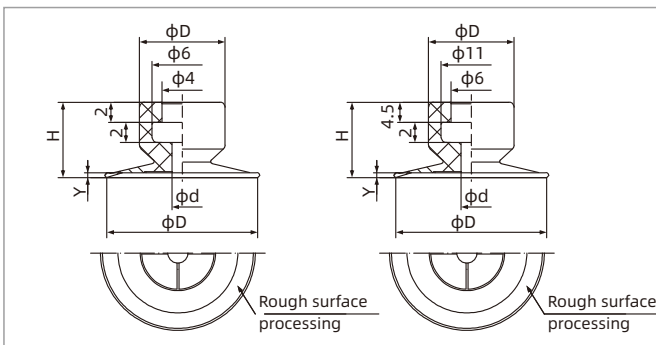


SPA10A-20A

SPA25A-50A



SPA15D



SPA10B-20B

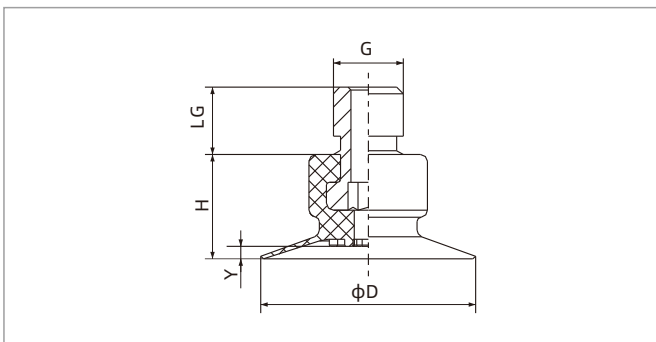
SPA30B

Model/Size	D	D1	H	d	Y
SPA10A□	10	8.5	7.5	2	0.6
SPA15A□	15	8.5	7.5	2	0.9
SPA20A□	20	9	10	2	1.2
SPA25A□	25	22	10	3	1.5
SPA30A□	30	22	10	3	1.8
SPA40A□	40	22	10	3	2.4
SPA50A□	50	22	10	3	3

Model/Size	D	D1	H	d	Y
SPA15D□	15	8.5	5.5	1.5	0.5

Model/Size	D	D1	H	d	Y
SPA10B□	10	8.5	7.5	2	0.3
SPA15B□	15	8.5	7.5	2	0.5
SPA20B□	20	8.5	10	2	0.8
SPA30B□	30	15	11	3	0.3

Dimensions(mm) - Suction cup with fitting



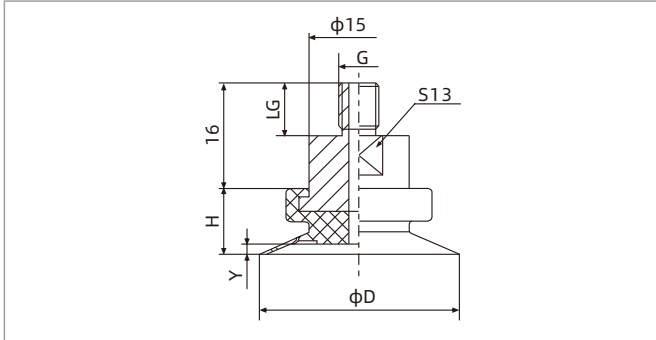
SPA10-30 Male thread connection

Model/Size	D	H	G	LG	Y
SPA10A□-M5M	10	7.5	M5×0.8	5	0.6
SPA10B□-M5M	10	7.5	M5×0.8	5	0.3
SPA15A□-M5M	15	7.5	M5×0.8	5	0.9
SPA15B□-M5M	15	7.5	M5×0.8	5	0.5
SPA15D□-M5M	15	5.5	M5×0.8	5	0.5
SPA20A□-M5M	20	10	M5×0.8	5	1.2
SPA20B□-M5M	20	10	M5×0.8	5	0.8
SPA30B□-M5M	30	11	M5×0.8	5	0.3

SPA Series

Thin Lip Flat Suction Cup

Dimensions(mm) - Suction cup with fitting



Model/size	D	H	G	LG	Y
SPA25A□-M6M	25	10	M6×1	8	1.5
SPA25A□-M8M	25	10	M8×1.25	8	1.5
SPA30A□-M6M	30	10	M6×1	8	1.8
SPA30A□-M8M	30	10	M8×1.25	8	1.8
SPA40A□-M6M	40	10	M6×1	8	2.4
SPA40A□-M8M	40	10	M8×1.25	8	2.4
SPA50A□-M6M	50	10	M6×1	8	3
SPA50A□-M8M	50	10	M8×1.25	8	3

SPA25A-50A

◇ Note: The dimensional tolerance conforms to the GBT 3672.1-2002-1 M3 rubber product dimensional tolerance standard

Mounting parts

Item	Model M - Male thread	Applicable suction cup
Fitting for suction cup	PJS-M5M-ST2	SPA10A, 10B, 15A, 15B, 15D, 20A, 20B
	PJS-M5M-ST3	SPA30B
	PJS-M6M-ST7	SPA25A, 30A, 40A, 50A
	PJS-M8M-ST7	SPA25A, 30A, 40A, 50A

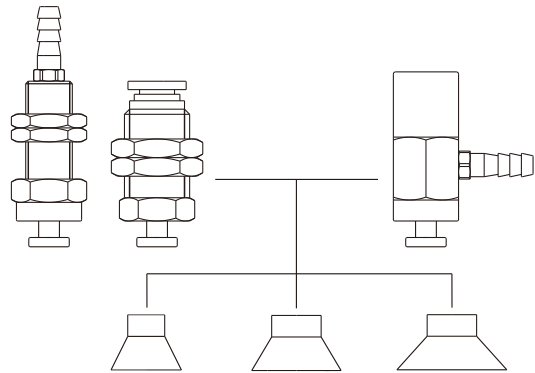
SPA Series

Suction Cup with Locking Fitting

Structure

- ◇ Consisting of replacement suction cup and locking fitting
- ◇ Plug-in fitting for suction cup
- ◇ Vertical vacuum port, Pagoda fitting or one-touch fitting for connection, male thread for mounting
- ◇ Lateral vacuum port, Pagoda fitting for connection, female thread for mounting

In the same series, replacement suction cup and locking fitting can be combined as required



How to order

SPA10AN - L B6 - M4F

① ② ③ ④

① Model	② Vacuum port direction	③ Vacuum port connection	④ Mounting thread
SPA10AN	Nil - Vertical direction	A4 - One-touch fitting ϕ 4 hose	M4F - M4x0.7 female thread
	L - Lateral direction	A6 - One-touch fitting ϕ 6 hose B6 - Pagoda fitting ϕ 6 hose	M6F - M6x1 female thread M8M - M8x1 male thread M10M - M10x1 male thread M12M - M12x1 male thread M14M - M14x1 male thread

◇ Please refer to page 46 for suction cup selection

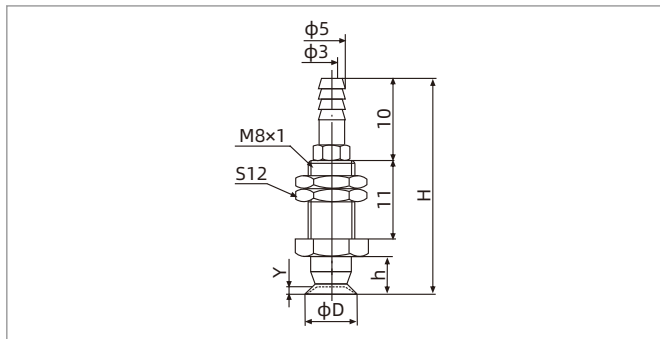
Selection

Model	Vacuum port direction Vertical-Pagoda fitting	Vertical-One-touch fitting	Lateral-Pagoda fitting
SPA10A□	SPA10A□-B6-M8M	SPA10A□-A4-M12M	SPA10A□-LB6-M4F
SPA10B□	SPA10B□-B6-M8M	SPA10B□-A4-M12M	SPA10B□-LB6-M4F
SPA15A□	SPA15A□-B6-M8M	SPA15A□-A4-M12M	SPA15A□-LB6-M4F
SPA15B□	SPA15B□-B6-M8M	SPA15B□-A4-M12M	SPA15B□-LB6-M4F
SPA15D□	SPA15D□-B6-M8M	SPA15D□-A4-M12M	SPA15D□-LB6-M4F
SPA20A□	SPA20A□-B6-M8M	SPA20A□-A4-M12M	SPA20A□-LB6-M4F
SPA20B□	SPA20B□-B6-M8M	SPA20B□-A4-M12M	SPA20B□-LB6-M4F
SPA25A□	SPA25A□-B6-M10M	SPA25A□-A6-M14M	SPA25A□-LB6-M6F
SPA30A□	SPA30A□-B6-M10M	SPA30A□-A6-M14M	SPA30A□-LB6-M6F
SPA30B□	SPA30B□-B6-M10M	SPA30B□-A6-M14M	SPA30B□-LB6-M6F
SPA40A□	SPA40A□-B6-M10M	SPA40A□-A6-M14M	SPA40A□-LB6-M6F
SPA50A□	SPA50A□-B6-M10M	SPA50A□-A6-M14M	SPA50A□-LB6-M6F

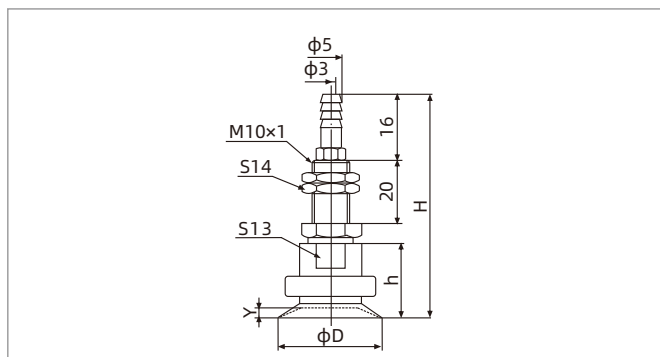
SPA Series

Suction Cup with Locking Fitting

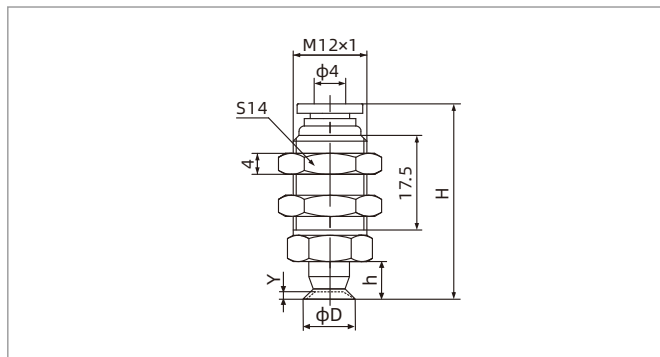
Dimensions(mm)



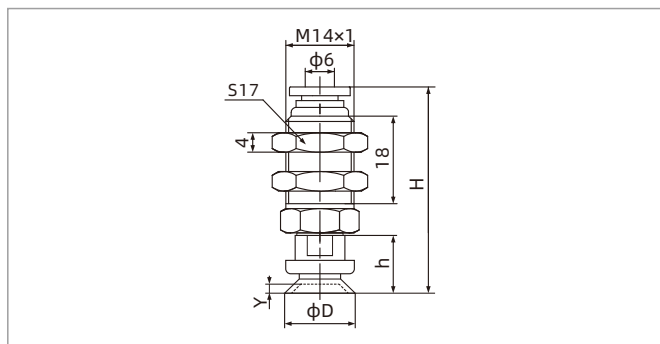
SPA10-20 Vertical-Pagoda fitting



SPA25-50 Vertical-Pagoda fitting



SPA10-20 Vertical-One-touch fitting



SPA25-50 Vertical-One-touch fitting

Model/Size	D	H	h	Y
SPA10A□-B6-M8M	10	31.5	7.5	0.6
SPA10B□-B6-M8M	10	31.5	7.5	0.3
SPA15A□-B6-M8M	15	31.5	7.5	0.9
SPA15B□-B6-M8M	15	31.5	7.5	0.5
SPA15D□-B6-M8M	15	29.5	5.5	0.5
SPA20A□-B6-M8M	20	34	10	12
SPA20B□-B6-M8M	20	34	10	0.8

Model/Size	D	H	h	Y
SPA25A□-B6-M10M	25	66	18	1.5
SPA30A□-B6-M10M	30	66	18	1.8
SPA30B□-B6-M10M	30	59	11	1.5
SPA40A□-B6-M10M	40	66	18	2.4
SPA50A□-B6-M10M	50	66	18	3

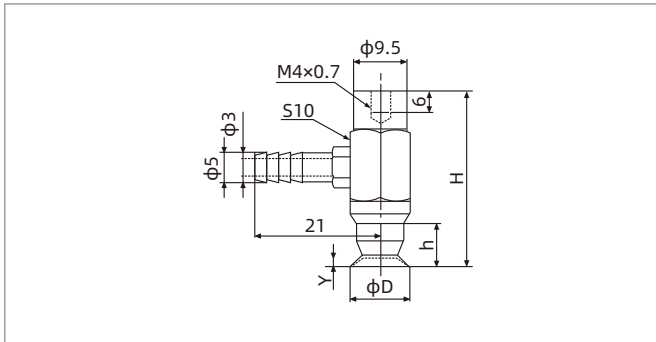
Model/Size	D	H	h	Y
SPA10A□-A4-M12M	10	35	7.5	0.6
SPA10B□-A4-M12M	10	35	7.5	0.3
SPA15A□-A4-M12M	15	35	7.5	0.9
SPA15B□-A4-M12M	15	35	7.5	0.5
SPA15D□-A4-M12M	15	33	5.5	0.5
SPA20A□-A4-M12M	20	37.5	10	12
SPA20B□-A4-M12M	20	37.5	10	0.8

Model/Size	D	H	h	Y
SPA25A□-A6-M14M	25	48	18	1.5
SPA30A□-A6-M14M	30	48	18	1.8
SPA30B□-A6-M14M	30	40	11	1.5
SPA40A□-A6-M14M	40	48	18	2.4
SPA50A□-A6-M14M	50	48	18	3

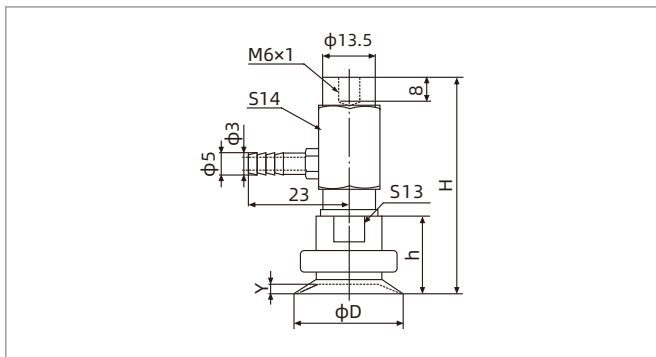
SPA Series

Suction Cup with Locking Fitting

Dimensions(mm)



SPA10-20 Lateral-Pagoda fitting



SPA25-50 Lateral-Pagoda fitting

Model/Size	D	H	h	Y
SPA10A□-LB6-M4F	10	30	7.5	0.6
SPA10B□-LB6-M4F	10	30	7.5	0.3
SPA15A□-LB6-M4F	15	30	7.5	0.9
SPA15B□-LB6-M4F	15	30	7.5	0.5
SPA15D□-LB6-M4F	15	28	5.5	0.5
SPA20A□-LB6-M4F	20	32.5	10	12
SPA20B□-LB6-M4F	20	32.5	10	0.8

Model/Size	D	H	h	Y
SPA25A□-LB6-M6F	25	51.5	18	1.5
SPA30A□-LB6-M6F	30	51.5	18	1.8
SPA30B□-LB6-M6F	30	44.5	11	1.5
SPA40A□-LB6-M6F	40	51.5	18	2.4
SPA50A□-LB6-M6F	50	51.5	18	3

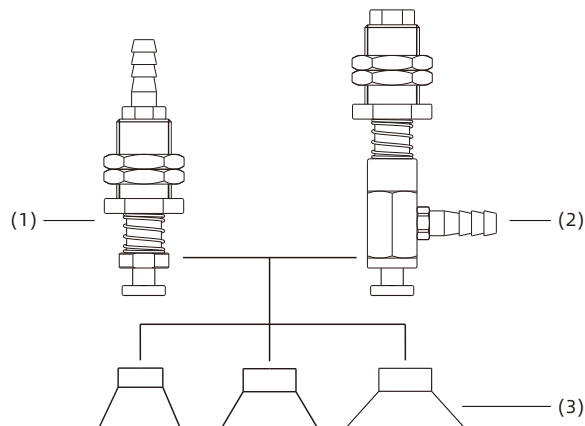
SPA Series

Suction Cup with Level Compensator

Structure

- ◇ Consisting of replacement suction cup(3) and level compensator
- ◇ Plug-in fitting for suction cup
- ◇ Vertical vacuum port(1), male thread for mounting
- ◇ Lateral vacuum port(2), male thread for mounting

In the same series, replacement suction cup and level compensator can be combined as required



How to order

SPA10AN - F E 10 LB6 - M11

① ② ③ ④ ⑤ ⑥

① Model	② Level compensator type	③ Buffer type	④ Buffer stroke	⑤ Vacuum port connection	⑥ Mounting thread
SPA10AN	F - PSPF Series	E - External spring	4 6	B6 - Vertical, pagoda fitting φ6 hose	M11 - M11×1
			10 15	LB6 - Lateral, pagoda fitting φ6 hose	M14 - M14×1

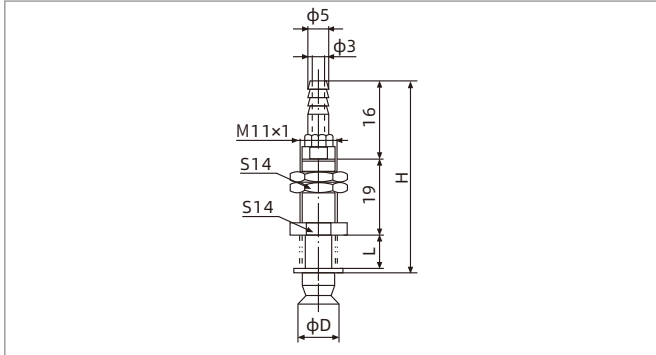
Selection

Model	Vacuum port direction Vertical - Pagoda fitting		Lateral - Pagoda fitting	
SPA10A□	SPA10A□-FE4B6-M11	SPA10A□-FE10B6-M11	SPA10A□-FE4LB6-M11	SPA10A□-FE10LB6-M11
SPA10B□	SPA10B□-FE4B6-M11	SPA10B□-FE10B6-M11	SPA10B□-FE4LB6-M11	SPA10B□-FE10LB6-M11
SPA15A□	SPA15A□-FE4B6-M11	SPA15A□-FE10B6-M11	SPA15A□-FE4LB6-M11	SPA15A□-FE10LB6-M11
SPA15B□	SPA15B□-FE4B6-M11	SPA15B□-FE10B6-M11	SPA15B□-FE4LB6-M11	SPA15B□-FE10LB6-M11
SPA15D□	SPA15D□-FE4B6-M11	SPA15D□-FE10B6-M11	SPA15D□-FE4LB6-M11	SPA15D□-FE10LB6-M11
SPA20A□	SPA20A□-FE4B6-M11	SPA20A□-FE10B6-M11	SPA20A□-FE4LB6-M11	SPA20A□-FE10LB6-M11
SPA20B□	SPA20B□-FE4B6-M11	SPA20B□-FE10B6-M11	SPA20B□-FE4LB6-M11	SPA20B□-FE10LB6-M11
SPA25A□	SPA25A□-FE6B6-M14	SPA25A□-FE15B6-M14	SPA25A□-FE6LB6-M14	SPA25A□-FE15LB6-M14
SPA30A□	SPA30A□-FE6B6-M14	SPA30A□-FE15B6-M14	SPA30A□-FE6LB6-M14	SPA30A□-FE15LB6-M14
SPA30B□	SPA30B□-FE6B6-M14	SPA30B□-FE15B6-M14	SPA30B□-FE6LB6-M14	SPA30B□-FE15LB6-M14
SPA40A□	SPA40A□-FE6B6-M14	SPA40A□-FE15B6-M14	SPA40A□-FE6LB6-M14	SPA40A□-FE15LB6-M14
SPA50A□	SPA50A□-FE6B6-M14	SPA50A□-FE15B6-M14	SPA50A□-FE6LB6-M14	SPA50A□-FE15LB6-M14

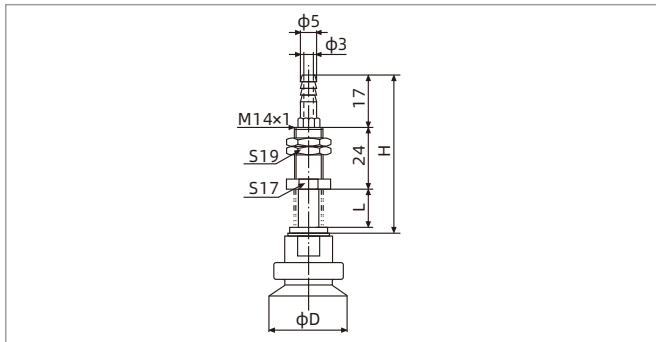
SPA Series

Suction Cup with Level Compensator

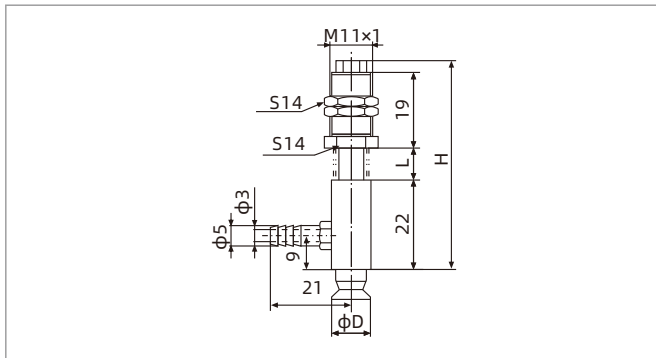
Dimensions(mm)



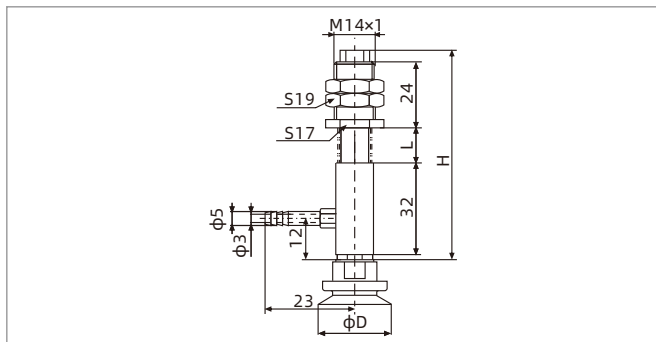
SPA10-20 Vertical-Pagoda fitting



SPA25-50 Vertical-Pagoda fitting



SPA10-20 Lateral-Pagoda fitting



SPA25-50 Lateral-Pagoda fitting

Model/Size	D	H	L	Buffer stroke
SPA10□□-FE4B6-M11	10	46	8	4
SPA10□□-FE10B6-M11	10	58	20	10
SPA15□□-FE4B6-M11	15	46	8	4
SPA15□□-FE10B6-M11	15	58	20	10
SPA20□□-FE4B6-M11	20	46	8	4
SPA20□□-FE10B6-M11	20	58	20	10

Model/Size	D	H	L	Buffer stroke
SPA25□□-FE6B6-M14	25	57	13	6
SPA25□□-FE15B6-M14	25	74	30	15
SPA30□□-FE6B6-M14	30	57	13	6
SPA30□□-FE15B6-M14	30	74	30	15
SPA40□□-FE6B6-M14	40	57	13	6
SPA40□□-FE15B6-M14	40	74	30	15
SPA50□□-FE6B6-M14	50	57	13	6
SPA50□□-FE15B6-M14	50	74	30	15

Model/Size	D	H	L	Buffer stroke
SPA10□□-FE4LB6-M11	10	52	8	4
SPA10□□-FE10LB6-M11	10	64	20	10
SPA15□□-FE4LB6-M11	15	52	8	4
SPA15□□-FE10LB6-M11	15	64	20	10
SPA20□□-FE4LB6-M11	20	52	8	4
SPA20□□-FE10LB6-M11	20	64	20	10

Model/Size	D	H	L	Buffer stroke
SPA25□□-FE6LB6-M14	25	73	13	6
SPA25□□-FE15LB6-M14	25	90	30	15
SPA30□□-FE6LB6-M14	30	73	13	6
SPA30□□-FE15LB6-M14	30	90	30	15
SPA40□□-FE6LB6-M14	40	73	13	6
SPA40□□-FE15LB6-M14	40	90	30	15
SPA50□□-FE6LB6-M14	50	73	13	6
SPA50□□-FE15LB6-M14	50	90	30	15

SPJ Series

Bellows Suction Cup



PACKAGING



PLASTIC



Features

- ◇ 1.5 bellows
- ◇ Soft and tapered lips
- ◇ Mark free plug optional
- ◇ Available in various sizes

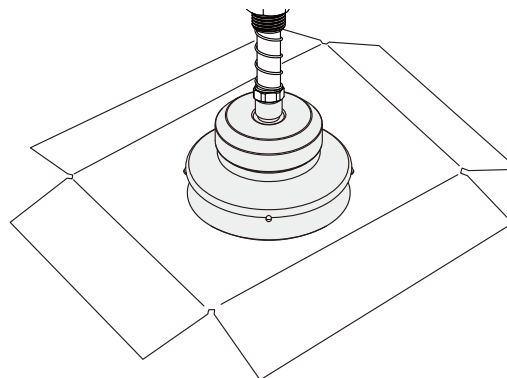
Advantages

- ◇ Compensate the height difference and good buffer when have contact with workpieces
- ◇ Good sealing for handling of workpieces with uneven surface
- ◇ Available in various sizes



Applications

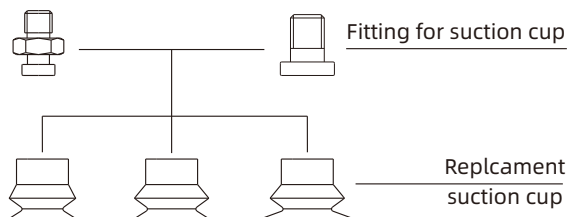
- ◇ Handling workpieces with uneven surface such as cartons, paper board and sheet, workpieces with curved surface
- ◇ Handling fragile workpieces such as electronic components and injection molding parts
- ◇ Suction cup with mark free plug is suitable for handling sensitive electronic material or display screen. It is suitable for occasions with high requirements for mark on adsorption surface



Structure

- ◇ 1.5 bellows, long compressed stroke
- ◇ Suction cups with diameter less than 50mm adopt split structure for easy replacement
- ◇ One-piece structure for suction cup with diameter 60mm-80mm

In the same series, replacement suction cup and fitting can be combined as required



SPJ Series

Bellows Suction Cup

How to order

SPJ 15 N - M5M - PK

① ② ③ ④ ⑤

① Series	② Diameter	③ Material & Hardness	④ Connection thread	⑤ Plug	
SPJ	4 - ϕ 4mm	30 - ϕ 30mm	N - NBR	55 Nil - Suction cup only	Nil - Without Mark free plug
	6 - ϕ 6mm	35 - ϕ 35mm	WS - White silicone	50 M3M - M3x0.5 male thread	PK - With mark free plug
	8 - ϕ 8mm	40 - ϕ 40mm	CN - Conductive NBR	55 M5M - M5x0.8 male thread	
	10 - ϕ 10mm	50 - ϕ 50mm	CS - Conductive silicone	55 M8M - M8x1.25 male thread	
	15 - ϕ 15mm	60 - ϕ 60mm	HP - Mark free rubber	55 M10F - M10x1.25 female thread	
	20 - ϕ 20mm	70 - ϕ 70mm			
	25 - ϕ 25mm	80 - ϕ 80mm			

◇ Note: HP material is not for all sizes. Please contact AIRBEST if need

Selection

Model	Connection thread M - Male thread	Model	Connection thread M - Male thread	Connection thread F - Female thread
SPJ4□	SPJ4□-M3M	SPJ30□ SPJ30□-PK	SPJ30□-M5M SPJ30□-M5M-PK	-
SPJ6□	SPJ6□-M5M	SPJ35□ SPJ35□-PK	SPJ35□-M5M SPJ35□-M5M-PK	-
SPJ8□ SPJ8□-PK	SPJ8□-M5M SPJ8□-M5M-PK	SPJ40□ SPJ40□-PK	SPJ40□-M5M SPJ40□-M5M-PK	-
SPJ10□ SPJ10□-PK	SPJ10□-M5M SPJ10□-M5M-PK	SPJ50□ SPJ50□-PK	SPJ50□-M8M SPJ50□-M8M-PK	-
SPJ15□ SPJ15□-PK	SPJ15□-M5M SPJ15□-M5M-PK	SPJ60□	-	SPJ60□-M10F
SPJ20□ SPJ20□-PK	SPJ20□-M5M SPJ20□-M5M-PK	SPJ70□	-	SPJ70□-M10F
SPJ25□ SPJ25□-PK	SPJ25□-M5M SPJ25□-M5M-PK	SPJ80□	-	SPJ80□-M10F

Technical parameters

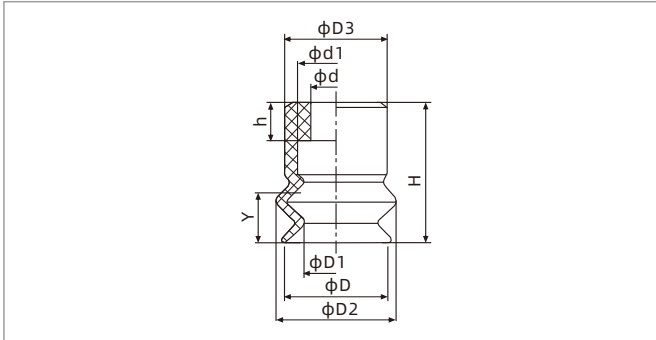
Model	Pull-out force N	Inner volume cm ³	Min. Curve radius of workpiece mm	Weight g	Recommended hose dia. mm	MPQ pcs
SPJ4	0.6	<0.1	4	0.1	4	10
SPJ6	1.2	<0.1	6	0.2	4	10
SPJ8	2.2	<0.1	8	0.3	4	10
SPJ10	3.5	0.2	12	0.8	4	10
SPJ15	8	0.5	20	1.0	6	10
SPJ20	15	1.1	27	1.8	6	5
SPJ25	24	2.2	40	3.0	6	5
SPJ30	32	3	55	5.3	6	5
SPJ35	43	4.5	65	8.0	6	5
SPJ40	60	6	80	10.5	6	1
SPJ50	92	11.7	95	21.0	8	1
SPJ60	127	20	125	35.6	8	1
SPJ70	173	30	150	52.5	8	1
SPJ80	226	40	140	63.0	8	1

◇ Note: Testing vacuum level -60kPa, workpiece with smooth and clean surface. The data of pull-out force as above are figured out without considering safety factor. The data may be different according to different workpiece surfaces. Recommend the length of vacuum hose to be as short as possible, max 2m.

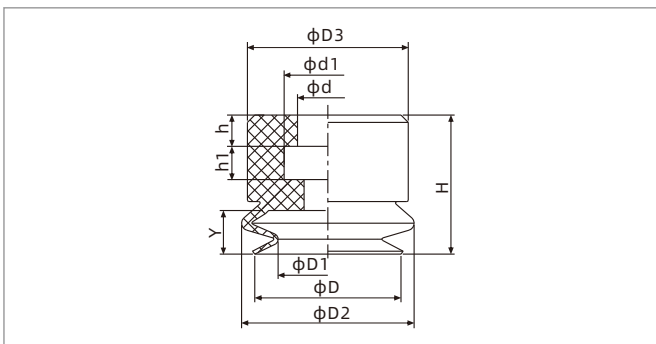
SPJ Series

Bellows Suction Cup

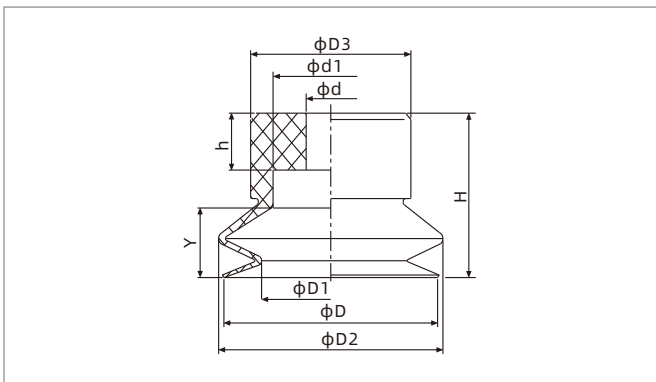
Dimensions(mm) - Suction cup only



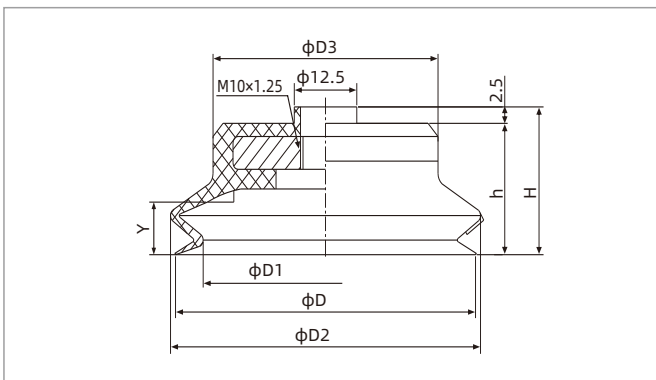
SPJ4-8



SPJ10-15



SPJ20-50



SPJ60-80

Model/Size	D	H	D1	D2	D3	d	h	d1	Y
SPJ4□	4	5.5	2.5	4.6	4	2	1.5	3	2.3
SPJ6□	6	9	3.3	7.8	7.5	4	2	6	4.2
SPJ8□	8	9	5.3	9.8	8	4	2	6	4

Model/Size	D	H	D1	D2	D3	d	h	d1	h1	Y
SPJ10□	10	9.5	6.8	11.8	11	4	2	6	2	3
SPJ15□	15	11	9.7	15.8	12	4	2	6	2	3.3

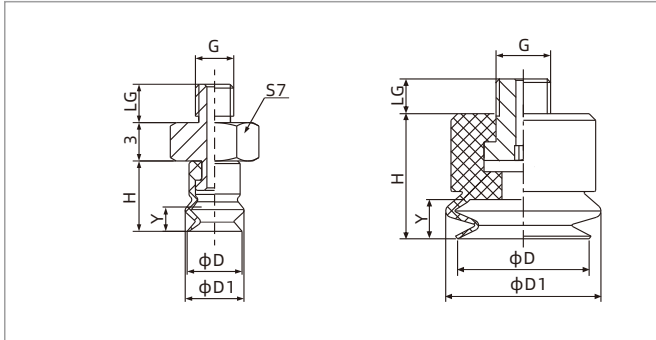
Model/Size	D	H	D1	D2	D3	d	h	d1	Y
SPJ20□	20	13	13	21	15	4.6	4.5	10.8	5.5
SPJ25□	25	15.5	14.5	26	17.5	4.6	4.5	10.8	6.5
SPJ30□	30	18	16	31	20	5.8	7	10.8	7
SPJ35□	35	18	20.5	36	25	5.8	7	10.8	7
SPJ40□	40	18	25	40	30	5.8	7	10.8	7.2
SPJ50□	50	20	32	53	40	7.8	7	19.8	9

Model/Size	D	H	h	D1	D2	D3	Y
SPJ60□-M10F	60	22.5	20	45	62	45	8
SPJ70□-M10F	70	23.5	21	52	74	55	9.5
SPJ80□-M10F	80	23.5	21	61	82	68	9.5

SPJ Series

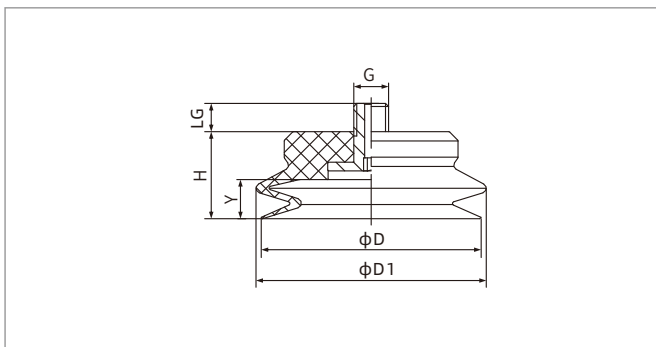
Bellows Suction Cup

Dimensions(mm)



SPJ4

SPJ6-15



SPJ20-50

Model/Size	D	H	D1	G	LG	Y
SPJ4□-M3M	4	5.5	4.6	M3×0.5	3.5	2.3
SPJ6□-M5M	6	9	7.8	M5×0.8	4.5	4.2
SPJ8□-M5M	8	9	9.8	M5×0.8	4.5	4
SPJ10□-M5M	10	9.5	11.8	M5×0.8	4.5	3
SPJ15□-M5M	15	11	15.8	M5×0.8	4.5	3.3

Model/Size	D	H	D1	G	LG	Y
SPJ20□-M5M	20	13	21	M5×0.8	5	5.5
SPJ25□-M5M	25	15.5	26	M5×0.8	5	6.5
SPJ30□-M5M	30	18	31	M5×0.8	5	7
SPJ35□-M5M	35	18	36	M5×0.8	5	7
SPJ40□-M5M	40	18	40	M5×0.8	5	7.2
SPJ50□-M8M	50	20	53	M8×1.25	6.5	9

◇ Note: The dimensional tolerance conforms to GBT 3672.1-2002-1 M3 rubber product dimensional tolerance standard

Mounting parts

Item	Model M - Male thread	Applicable suction cup
Fitting for suction cup	PJS-M3M-ST1	SPJ4
	PJS-M5M-ST2	SPJ6, 8, 10, 15
	PJS-M5M-ST3	SPJ20, 25
	PJS-M5M-ST4	SPJ30, 35, 40
	PJS-M8M-ST6	SPJ50

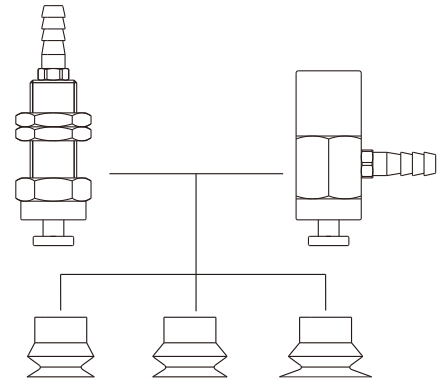
SPJ Series

Suction Cup with Locking Fitting

Structure

- ◇ Consisting of replacement suction cup and locking fitting
- ◇ Plug-in fitting for suction cups
- ◇ Vertical vacuum port, pagoda fitting or one-touch fitting for connection, male thread for mounting
- ◇ Lateral vacuum port, pagoda fitting for connection, female thread for mounting

In the same series, replacement suction cup and locking fitting can be combined as required



How to order

SPJ10N - L B6 - M4F
① ② ③ ④

① Series	② Vacuum port direction	③ Vacuum port connection	④ Mounting thread	
SPJ10N	Nil - Vertical	B6 - Pagoda fitting φ6 hose	M4F - M4x0.7 female thread	M8M - M8x1 male thread
	L - Lateral	R1 - Rc1/8 female thread	M6F - M6x1 female thread	M10M - M10x1 male thread
			M8F - M8x1.25 female thread	M16M - M16x1.5 male thread

◇ Please refer to page 55 for suction cup selection

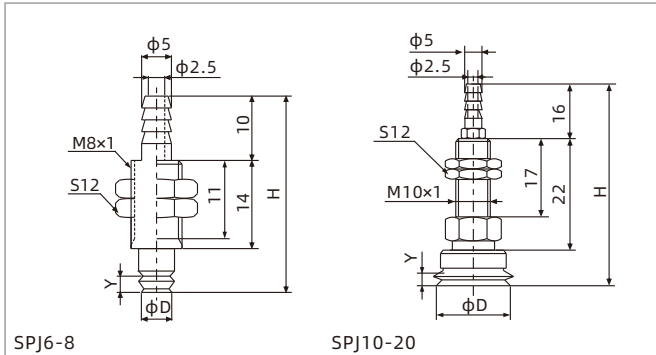
Selection

Model	Vacuum port direction Vertical-Pagoda fitting	Lateral-Pagoda fitting
SPJ6□	SPJ6□-B6-M8M	SPJ6□-LB6-M4F
SPJ8□	SPJ8□-B6-M8M	SPJ8□-LB6-M4F
SPJ10□	SPJ10□-B6-M8M	SPJ10□-LB6-M4F
SPJ15□	SPJ15□-B6-M8M	SPJ15□-LB6-M4F
SPJ20□	SPJ20□-B6-M8M	SPJ20□-LB6-M4F
SPJ25□	SPJ25□-B6-M10M	SPJ25□-LB6-M6F
SPJ30□	SPJ30□-B6-M10M	SPJ30□-LB6-M6F
SPJ35□	SPJ35□-B6-M10M	SPJ35□-LB6-M6F
SPJ40□	SPJ40□-B6-M10M	SPJ40□-LB6-M6F
SPJ50□	SPJ50□-B6-M10M	SPJ50□-LB6-M6F
SPJ60□	SPJ60□-R1-M16M	SPJ60□-LR1-M8F
SPJ70□	SPJ70□-R1-M16M	SPJ70□-LR1-M8F
SPJ80□	SPJ80□-R1-M16M	SPJ80□-LR1-M8F

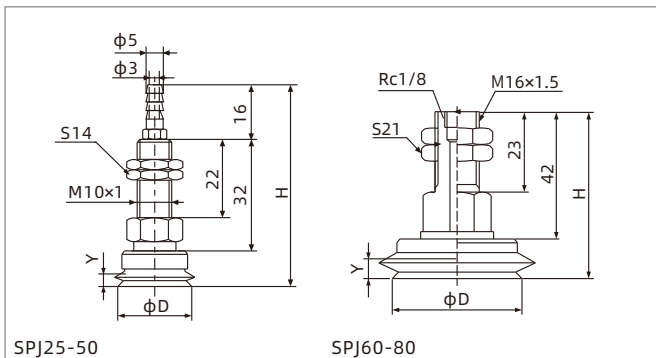
SPJ Series

Suction Cup with Locking Fitting

Dimensions(mm)

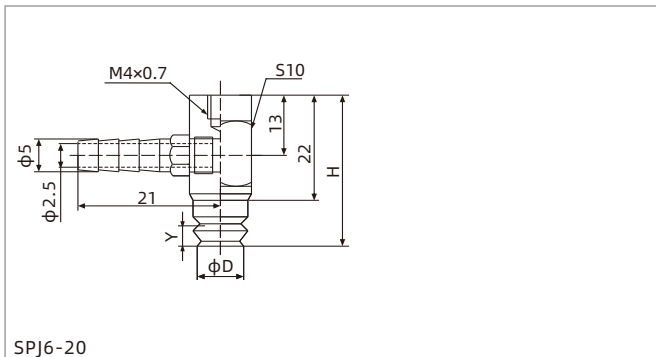


Vertical-Pagoda fitting

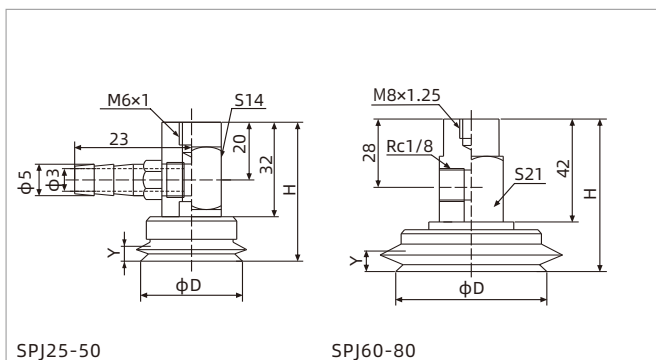


Vertical-Pagoda fitting

Vertical-Female thread connection



Lateral-Pagoda fitting



Lateral-Pagoda fitting

Lateral-Female thread connection

Model/Size	D	H	Y
SPJ6□-B6-M8M	6	33	4.2
SPJ8□-B6-M8M	8	33	4
SPJ10□-B6-M8M	10	47.5	3
SPJ15□-B6-M8M	15	49	3.3
SPJ20□-B6-M8M	20	51	5.5

Model/Size	D	H	Y
SPJ25□-B6-M10M	25	63.5	6.5
SPJ30□-B6-M10M	30	66	7
SPJ35□-B6-M10M	35	66	7
SPJ40□-B6-M10M	40	66	7.2
SPJ50□-B6-M10M	50	68	9
SPJ60□-R1-M16M	60	62	8
SPJ70□-R1-M16M	70	63	9.5
SPJ80□-R1-M16M	80	63	9.5

Model/Size	D	H	Y
SPJ6□-LB6-M4F	6	31	4.2
SPJ8□-LB6-M4F	8	31	4
SPJ10□-LB6-M4F	10	31.5	3
SPJ15□-LB6-M4F	15	33	3.3
SPJ20□-LB6-M4F	20	35	5.5

Model/Size	D	H	Y
SPJ25□-LB6-M6F	25	47.5	6.5
SPJ30□-LB6-M6F	30	50	7
SPJ35□-LB6-M6F	35	50	7
SPJ40□-LB6-M6F	40	50	7.2
SPJ50□-LB6-M6F	50	52	9
SPJ60□-LR1-M8F	60	62	8
SPJ70□-LR1-M8F	70	63	9.5
SPJ80□-LR1-M8F	80	63	9.5

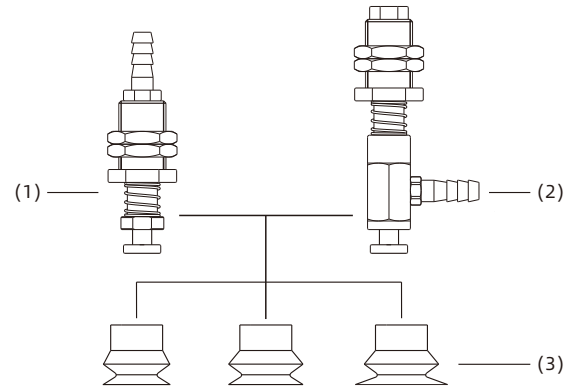
SPJ Series

Suction Cup with Level Compensator

Structure

- ◇ Consisting of replacement suction cup(3) and level compensator
- ◇ Plug-in fitting for suction cup
- ◇ Vertical vacuum port(1), male thread for mounting
- ◇ Lateral vacuum port(2), male thread for mounting

In the same series, replacement suction cup and level compensator can be combined as required



How to order

SPJ10N - F E 10 LB6 - M11
 ① ② ③ ④ ⑤ ⑥

① Model	② Level compensator type	③ Buffer type	④ Buffer stroke	⑤ Vacuum port connection	⑥ Mounting thread	
SPJ10N	F - PSPF Series	E - External spring	3	10	B6 - Vertical, Pagoda fitting φ6 hose	M9 - M9×1
			4	15	LB6 - Lateral, Pagoda fitting φ6 hose	M11 - M11×1
			6	30	LR1 - Lateral, Rc1/8 Female thread	M14 - M14×1
						M16 - M16×1.5

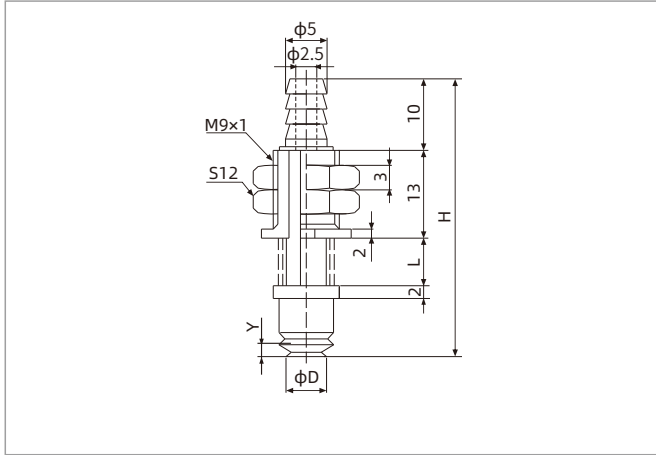
Selection

Model	Vacuum port direction Vertical-Pagoda fitting		Lateral-Pagoda fitting	
SPJ6□	SPJ6□-FE3B6-M9	SPJ6□-FE10B6-M9	SPJ6□-FE3LB6-M9	SPJ6□-FE10LB6-M9
SPJ8□	SPJ8□-FE3B6-M9	SPJ8□-FE10B6-M9	SPJ8□-FE3LB6-M9	SPJ8□-FE10LB6-M9
SPJ10□	SPJ10□-FE4B6-M11	SPJ10□-FE10B6-M11	SPJ10□-FE4LB6-M11	SPJ10□-FE10LB6-M11
SPJ15□	SPJ15□-FE4B6-M11	SPJ15□-FE10B6-M11	SPJ15□-FE4LB6-M11	SPJ15□-FE10LB6-M11
SPJ20□	SPJ20□-FE4B6-M11	SPJ20□-FE10B6-M11	SPJ20□-FE4LB6-M11	SPJ20□-FE10LB6-M11
SPJ25□	SPJ25□-FE6B6-M14	SPJ25□-FE15B6-M14	SPJ25□-FE6LB6-M14	SPJ25□-FE15LB6-M14
SPJ30□	SPJ30□-FE6B6-M14	SPJ30□-FE15B6-M14	SPJ30□-FE6LB6-M14	SPJ30□-FE15LB6-M14
SPJ35□	SPJ35□-FE6B6-M14	SPJ35□-FE15B6-M14	SPJ35□-FE6LB6-M14	SPJ35□-FE15LB6-M14
SPJ40□	SPJ40□-FE6B6-M14	SPJ40□-FE15B6-M14	SPJ40□-FE6LB6-M14	SPJ40□-FE15LB6-M14
SPJ50□	SPJ50□-FE6B6-M14	SPJ50□-FE15B6-M14	SPJ50□-FE6LB6-M14	SPJ50□-FE15LB6-M14
SPJ60□	-		SPJ60□-FE10LR1-M16	SPJ60□-FE30LB6-M16
SPJ70□	-		SPJ70□-FE10LR1-M16	SPJ70□-FE30LB6-M16
SPJ80□	-		SPJ80□-FE10LR1-M16	SPJ80□-FE30LB6-M16

SPJ Series

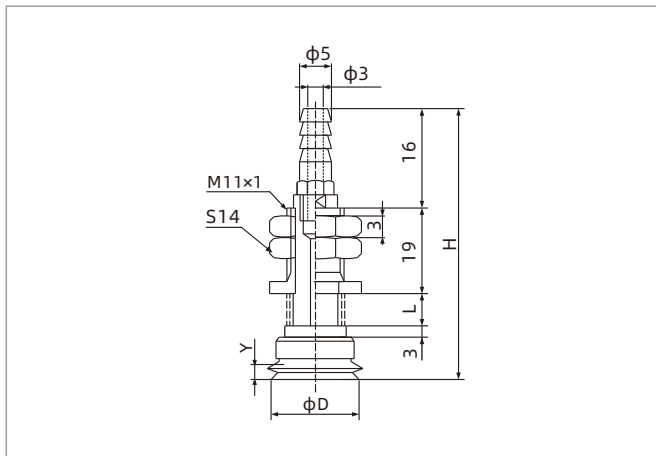
Suction Cup with Level Compensator

Dimensions(mm)



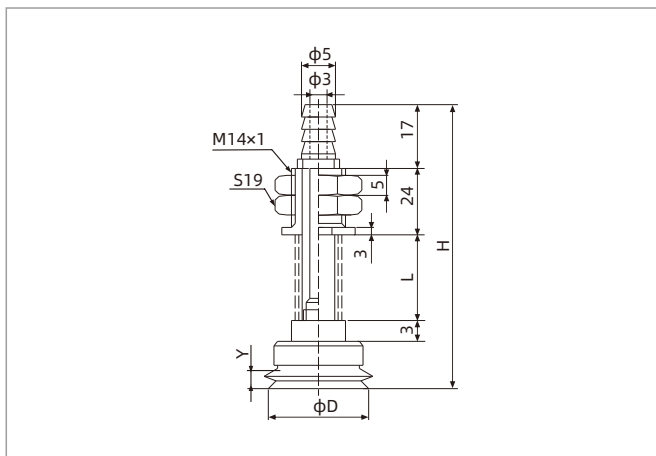
SPJ6-8 Vertical-Pagoda fitting

Model/Size	D	H	L	Y	Buffer stroke
SPJ6□-FE3B6-M9	6	40	6	4.2	3
SPJ6□-FE10B6-M9	6	54	20	4.2	10
SPJ8□-FE3B6-M9	8	40	6	4	3
SPJ8□-FE10B6-M9	8	54	20	4	10



SPJ10-20 Vertical-Pagoda fitting

Model/Size	D	H	L	Y	Buffer stroke
SPJ10□-FE4B6-M11	10	55.5	8	3	4
SPJ10□-FE10B6-M11	10	67.5	20	3	10
SPJ15□-FE4B6-M11	15	57	8	3.3	4
SPJ15□-FE10B6-M11	15	69	20	3.3	10
SPJ20□-FE4B6-M11	20	59	8	5.5	4
SPJ20□-FE10B6-M11	20	71	20	5.5	10



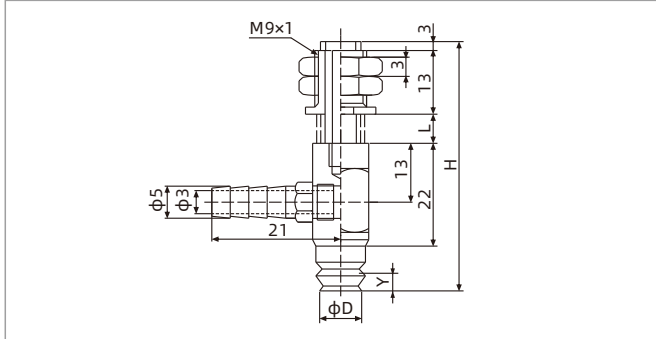
SPJ25-50 Vertical-Pagoda fitting

Model/Size	D	H	L	Y	Buffer stroke
SPJ25□-FE6B6-M14	25	72.5	13	6.5	6
SPJ25□-FE15B6-M14	25	89.5	30	6.5	15
SPJ30□-FE6B6-M14	30	75	13	7	6
SPJ30□-FE15B6-M14	30	92	30	7	15
SPJ35□-FE6B6-M14	35	75	13	7	6
SPJ35□-FE15B6-M14	35	92	30	7	15
SPJ40□-FE6B6-M14	40	75	13	7.2	6
SPJ40□-FE15B6-M14	40	92	30	7.2	15
SPJ50□-FE6B6-M14	50	77	13	9	6
SPJ50□-FE15B6-M14	50	94	30	9	15

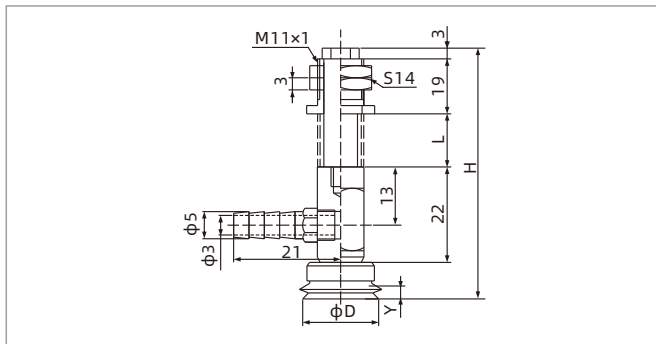
SPJ Series

Suction Cup with Level Compensator

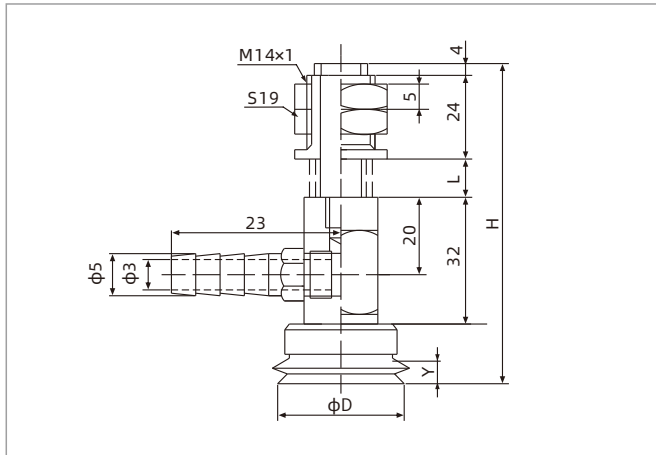
Dimensions(mm)



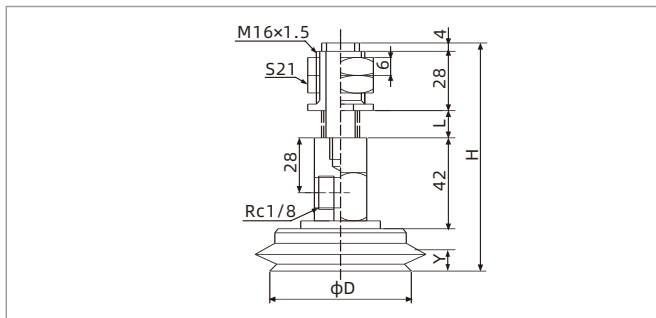
SPJ6-8 Lateral-Pagoda fitting



SPJ10-20 Lateral-Pagoda fitting



SPJ25-50 Lateral-Pagoda fitting



SPJ60-80 Lateral-Female thread connection

Model/Size	D	H	L	Y	Buffer stroke
SPJ6□-FE3LB6-M9	6	53	6	4.2	3
SPJ6□-FE10LB6-M9	6	67	20	4.2	10
SPJ8□-FE3LB6-M9	8	53	6	4	3
SPJ8□-FE10LB6-M9	8	67	20	4	10

Model/Size	D	H	L	Y	Buffer stroke
SPJ10□-FE4LB6-M11	10	61.5	8	3	4
SPJ10□-FE10LB6-M11	10	73.5	20	3	10
SPJ15□-FE4LB6-M11	15	63	8	3.3	4
SPJ15□-FE10LB6-M11	15	75	20	3.3	10
SPJ20□-FE4LB6-M11	20	65	8	5.5	4
SPJ20□-FE10LB6-M11	20	77	20	5.5	10

Model/Size	D	H	L	Y	Buffer stroke
SPJ25□-FE6LB6-M14	25	88.5	13	6.5	6
SPJ25□-FE15LB6-M14	25	105.5	30	6.5	15
SPJ30□-FE6LB6-M14	30	91	13	7	6
SPJ30□-FE15LB6-M14	30	108	30	7	15
SPJ35□-FE6LB6-M14	35	91	13	7	6
SPJ35□-FE15LB6-M14	35	108	30	7	15
SPJ40□-FE6LB6-M14	40	91	13	7.2	6
SPJ40□-FE15LB6-M14	40	108	30	7.2	15
SPJ50□-FE6LB6-M14	50	93	13	9	6
SPJ50□-FE15LB6-M14	50	110	30	9	15

Model/size	D	H	L	Y	Buffer stroke
SPJ60□-FE10LR1-M16	60	114	20	8	10
SPJ60□-FE30LR1-M16	60	154	60	8	30
SPJ70□-FE10LR1-M16	70	115	20	9.5	10
SPJ70□-FE30LR1-M16	70	155	60	9.5	30
SPJ80□-FE10LR1-M16	80	115	20	9.5	10
SPJ80□-FE30LR1-M16	80	155	60	9.5	30

SNT Series

Non-contact Suction Cup



COMPOSITE MATERIAL



POROUS

Features

- ◇ The suction cup "floats" on the air cushion during the gripping
- ◇ Low vacuum level, large vacuum flow
- ◇ Vacuum created based on Bernoulli principle
- ◇ No air go through the workpiece

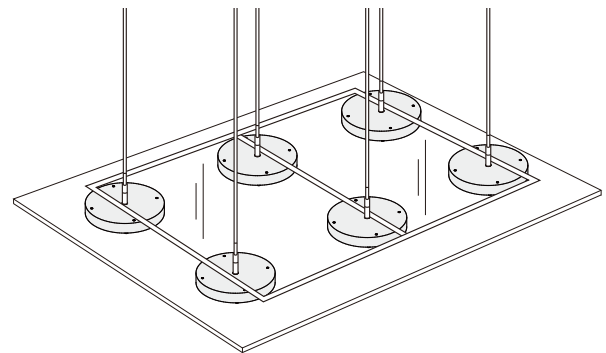
Advantages

- ◇ To achieve non-contact handling of workpiece
- ◇ Good compensation of air leakage
- ◇ Safely separates thin and porous workpiece
- ◇ Connect to compressed air directly, no need extra vacuum generator



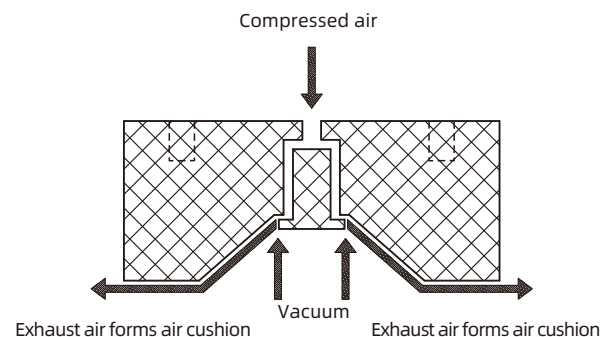
Application

- ◇ Fragile workpieces, such as silicon wafer, solar cell
- ◇ Porous workpieces, such as printed PCB, PVC board, textile
- ◇ Thin and light workpieces, such as plastic film, paper



Structure

- ◇ There are 4 threaded holes on the top
- ◇ Air supply ports on both vertical and horizontal side



SNT Series

Non-contact Suction Cup

How to order

SNT 30 - S N
① ② ③ ④

① Series	② Diameter		③ Flow type	④ Cushion material
SNT	20 - ϕ 20mm	60 - ϕ 60mm	S - Standard flow	N - NBR PK - PEEK (Mark free)
	30 - ϕ 30mm	100 - ϕ 100mm		
	40 - ϕ 40mm	120 - ϕ 120mm		

Selection

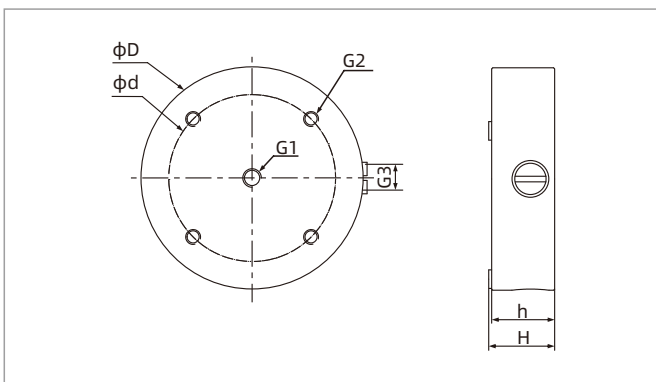
Model/Diameter 20	30	40	60	100	120
-	SNT30-SN	SNT40-SN	SNT60-SN	SNT100-SN	SNT120-SN
SNT20-SPK	SNT30-SPK	SNT40-SPK	SNT60-SPK	SNT100-SPK	SNT120-SPK

Technical parameters

Model	Pull-out force N	Air supply pressure bar	Max. air consumption NL/min	Working temperature °C	Weight g	Recommended hose dia. mm
SNT20	2	5.0	80	0~60	9.5	6
SNT30	4	5.0	100	0~60	32	8
SNT40	6.5	5.0	130	0~60	51	8
SNT60	17	5.0	225	0~60	116	6
SNT100	55.5	5.0	420	0~60	252	8
SNT120	104	5.0	420	0~60	331	8

◇ Note: The tested workpiece is rigid and airtight, air supply pressure range is 1.0 - 6.0bar, vertical action. The specified pull-out force does not include the safety factor

Dimensions(mm)



SNT

Model/Size	D	d	H	h	G1	G2	G3
SNT20	20	15	12.8	12	M5×0.8	4-M3×0.5depth5	-
SNT30	32	22	17.8	17	M5×0.8	4-M4×0.7depth6	M5×0.8
SNT40	40	32	17.8	17	G1/8	4-M4×0.7depth6	G1/8
SNT60	60	45	17.8	17	G1/8	4-M4×0.7depth6	G1/8
SNT100	100	75	17.8	17	G1/8	4-M4×0.7depth6	G1/8
SNT120	120	105	17.8	17	G1/8	4-M4×0.7depth6	G1/8

SLW Series

Wafer Gripper

AIRBEST



Features

- ◇ Multihole adsorbing area, prevent the physical deformation of fragile workpiece
- ◇ Integrated with suction cup and vacuum generator
- ◇ Vertical exhaust and lateral exhaust for option
- ◇ Vertical and horizontal mounting types for option

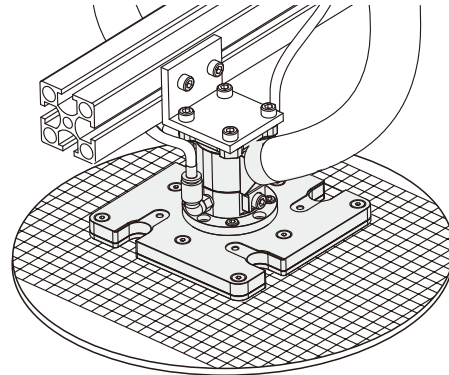
Advantages

- ◇ Reduce fragment rate
- ◇ With vacuum release port, improve efficiency
- ◇ Easy to install, different types for option
- ◇ Simple structure, integrated design, could connect to compressed air directly, no need extra vacuum generator



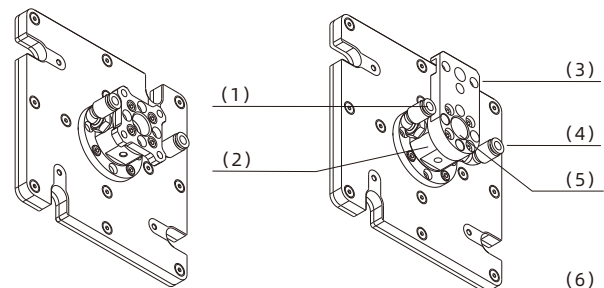
Application

- ◇ Suitable for handling fragile workpieces, such as silicon wafer, solar cell, glass, etc.



Structure

- ◇ (1) Air supply port
- ◇ (2) Vacuum generator
- ◇ (3) Mounting flange
- ◇ (4) Release/Vacuum detecting port
- ◇ (5) Exhaust port
- ◇ (6) Adsorbing area



SLW Series

Wafer Gripper

How to order

SLW 115 PK - M10 I - F1

① ② ③ ④ ⑤ ⑥

① Series	② Dimension	③ Material of suction cup	④ Specification of vacuum generator	⑤ Exhaust direction	⑥ Mounting flange
SLW	100 - 100x55mm	PK - PEEK	M10 - Diameter ϕ 10mm	I - Vertical exhaust	F1 - Vertical, 55x6mm
	115 - 115x115mm	AE - Aluminum plate+	M15 - Diameter ϕ 15mm	Y - Lateral exhaust	F3 - Horizontal, 71x9mm
	146 - 146x146mm	EPDM support cushion			F9 - Vertical, Triangular flange
	170 - 170x105mm	FT - Sponge+PTFE			
	120 - ϕ 120mm				
	150 - ϕ 150mm				
	180 - ϕ 180mm				

Selection

Model/ Specification of vacuum generator M10		M15	
SLW100PK-M10I-F1	SLW100PK-M10Y-F1	SLW120AE-M15I-F9	SLW120FT-M15I-F9
SLW100PK-M10I-F3	SLW100PK-M10Y-F3	-	-
SLW115PK-M10I-F1	SLW115PK-M10Y-F1	SLW150AE-M15I-F9	SLW150FT-M15I-F9
SLW115PK-M10I-F3	SLW115PK-M10Y-F3	-	-
SLW146PK-M10I-F1	SLW146PK-M10Y-F1	SLW180AE-M15I-F9	SLW180FT-M15I-F9
SLW146PK-M10I-F3	SLW146PK-M10Y-F3	-	-
SLW170PK-M10I-F1	SLW170PK-M10Y-F1	-	-
SLW170PK-M10I-F3	SLW170PK-M10Y-F3	-	-

Technical parameters

Model	Air supply pressure range bar	Rated air supply pressure bar	Max. vacuum level -kPa	Max. vacuum flow NL/min	Air consumption NL/min	Working temperature °C
SLW115-M10	1.0~7.0	5.0	11	400~430	150	0~60
SLW146-M10	1.0~7.0	5.0	11	410~440	150	0~60
SLW100-M10	1.0~7.0	5.0	11	330~460	150	0~60
SLW170-M10	1.0~7.0	5.0	11	350~490	150	0~60
SLW120-M15	1.0~7.0	5.0	4.5	370~460	150	0~60
SLW150-M15	1.0~7.0	5.0	4.5	370~460	160	0~60
SLW180-M15	1.0~7.0	5.0	4.5	370~460	180	0~60

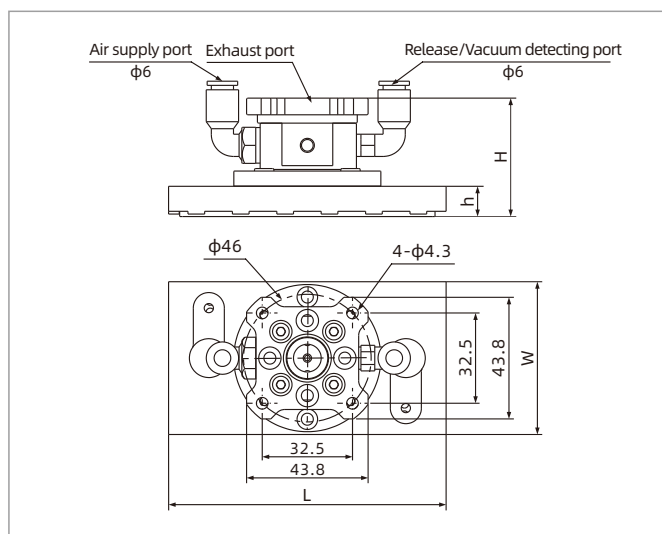
SLW Series

Wafer Gripper

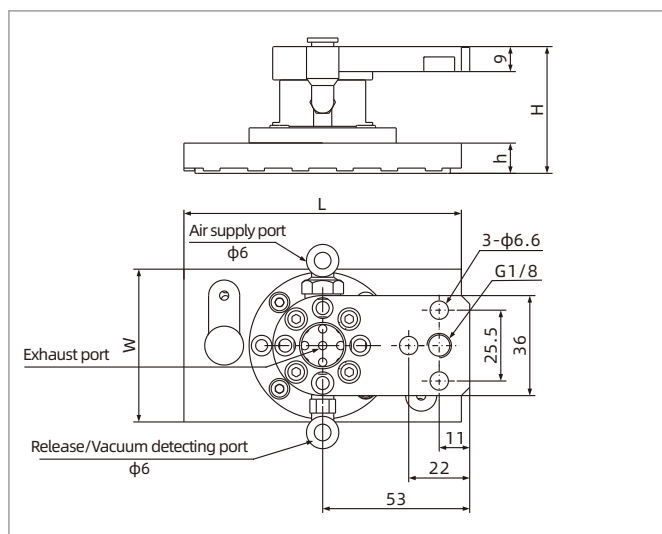
Vacuum flow (NL/min) at different vacuum levels (-kPa)

Model	Air supply pressure bar	Air consumption NL/min	0	1.5	2.5	3.5	4.5	5.5	6.5	7.5	11	Max. vacuum level -kPa
SLW115-M10	5.0	150	400	375	363	334	315	289	265	246	215	11
SLW146-M10	5.0	150	410	386	370	330	324	296	374	258	234	11
SLW100-M10	5.0	150	330	311	285	263	241	219	198	179	160	11
SLW170-M10	5.0	150	350	330	310	280	263	238	219	200	180	11
SLW120-M15	5.0	150	440	429	407	385	363	335	308	275	-	4.5
SLW150-M15	5.0	160	440	429	407	385	363	335	308	275	-	4.5
SLW180-M15	5.0	180	440	429	407	385	363	335	308	275	-	4.5

Dimensions(mm)



SLW□PK-M10I-F1



SLW□PK-M10I-F3

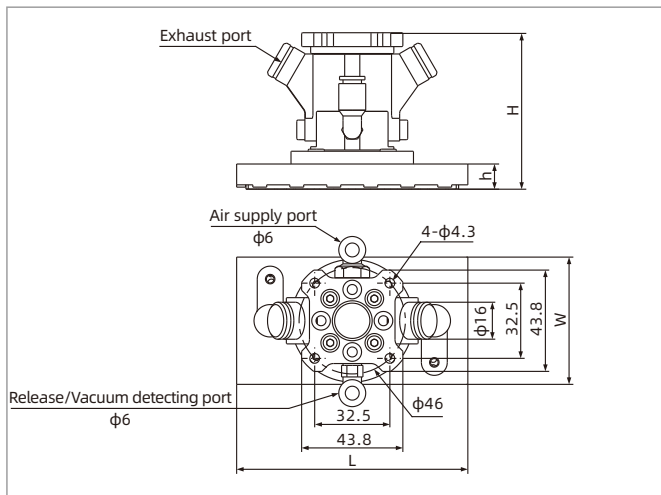
Model/Size	L	W	H	h	Weight g
SLW100PK-M10I-F1	100	55	43	11	220
SLW115PK-M10I-F1	115	115	43	11	350
SLW146PK-M10I-F1	146	146	43	11	458
SLW170PK-M10I-F1	170	105	43	11	354

Model/Size	L	W	H	h	Weight g
SLW100PK-M10I-F3	100	55	46	11	135
SLW115PK-M10I-F3	115	115	46	11	376
SLW146PK-M10I-F3	146	146	46	11	484
SLW170PK-M10I-F3	170	105	46	11	386

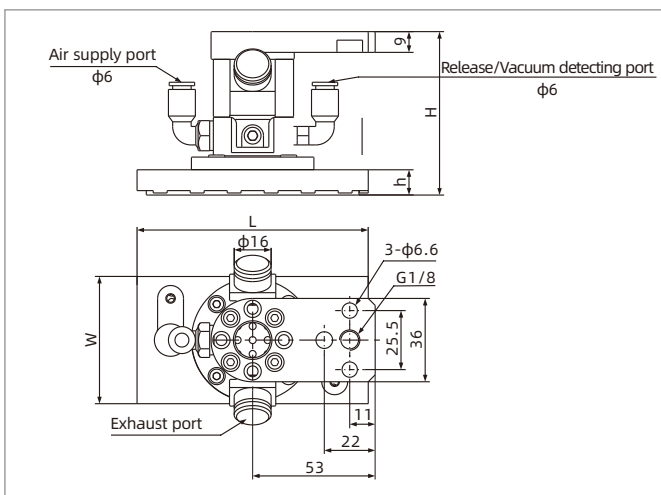
SLW Series

Wafer Gripper

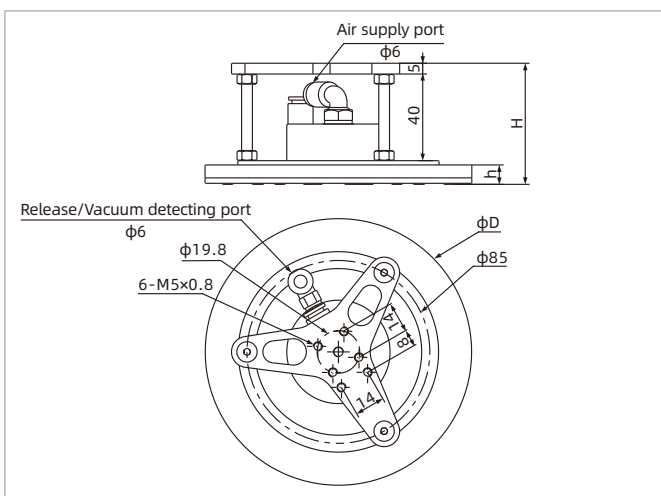
Dimensions(mm)



SLW□PK-M10Y-F1



SLW□PK-M10Y-F3



SLW□AE-M15I-F9

Model/Size	L	W	H	h	Weight g
SLW100PK-M10Y-F1	100	55	68	11	284
SLW115PK-M10Y-F1	115	115	68	11	415
SLW146PK-M10Y-F1	146	146	68	11	523
SLW170PK-M10Y-F1	170	105	68	11	420

Model/Size	L	W	H	h	Weight g
SLW100PK-M10Y-F3	100	55	71	11	310
SLW115PK-M10Y-F3	115	115	71	11	441
SLW146PK-M10Y-F3	146	146	71	11	549
SLW170PK-M10Y-F3	170	105	71	11	445

Model/Size	D	H	h	Weight g
SLW120AE-M15I-F9	124	53.5~57	9.5	343
SLW120FT-M15I-F9	124	56~59	12	375
SLW150AE-M15I-F9	149	53.5~57	9.5	418
SLW150FT-M15I-F9	149	56~59	12	472
SLW180AE-M15I-F9	179	53.5~57	9.5	632
SLW180FT-M15I-F9	179	56~59	12	630

PSPE Series

Small and Light Level Compensator

AIRBEST



ELECTRONICS

RoHS

Features

- ◇ Level compensator with built-in spring, small elasticity
- ◇ Small size and light weight
- ◇ The guide rod is made of stainless steel
- ◇ Oilless wear-resistant bushing is built in the guide sleeve

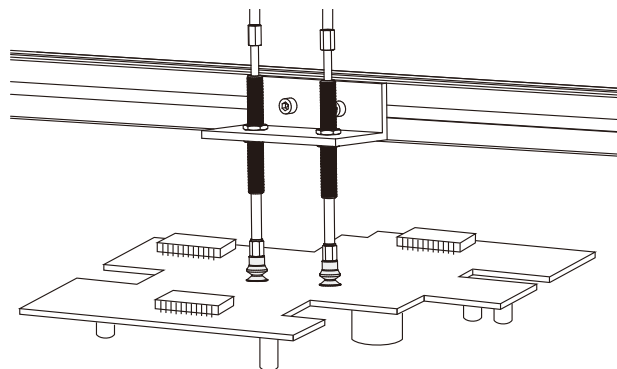
Advantages

- ◇ Avoid pollution and external mechanical force, flexible contact
- ◇ Suitable for fast handling in small space
- ◇ Resistant to environment, corrosion and abrasion
- ◇ Improve the life time of the products and reduce the noise of the products
- ◇ Ensure the accurate positioning of the workpieces



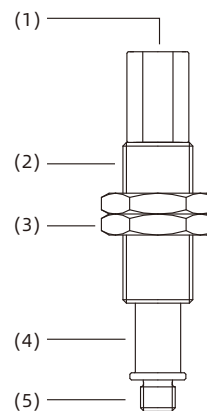
Applications

- ◇ Suitable for electronic industry
- ◇ Suitable for handling light and small workpieces with flexible contact
- ◇ Suitable for handling workpieces with height difference
- ◇ The non-rotating level compensator is suitable for the working condition requiring accurate positioning



Structure

- ◇ (1) Vacuum generator connection
- ◇ (2) Guide sleeve
- ◇ (3) Mounting nut
- ◇ (4) Guide rod
- ◇ (5) Suction cup connection



PSPE Series

Small and Light Level Compensator

How to order

PSPE - I 10 L A4 M5M - M10

① ② ③ ④ ⑤ ⑥ ⑦

① Series	② Buffer style	③ Buffer stroke	④ Rotary type	⑤ Vacuum port connection	⑥ Suction cup connection	⑦ Mounting thread
PSPE	I - Built-in spring	6 25	Nil - Vertical rotating	Nil - Default	M5F - M5×0.8 female thread	M8 - M8×1
		10 30	R - Vertical non-rotating	A4 - One-touch fitting, φ4 hose	M5M - M5×0.8 male thread	M10 - M10×1
		15 40	L - Lateral rotating	A6 - One-touch fitting, φ6 hose	M8F - M8×1.25 female thread	M14 - M14×1
		20 50	B - Lateral non-rotating		M8M - M8×1.25 male thread	

Selection-Vertical direction

Model/Connection thread M5M	RM5M	M5F	M8M	M8F
PSPE-I10M5M-M10	PSPE-I10RM5M-M10	PSPE-I10M5F-M10	PSPE-I10M8M-M14	PSPE-I10M8F-M14
PSPE-I20M5M-M10	PSPE-I20RM5M-M10	PSPE-I20M5F-M10	PSPE-I20M8M-M14	PSPE-I20M8F-M14
PSPE-I30M5M-M10	PSPE-I30RM5M-M10	PSPE-I30M5F-M10	PSPE-I30M8M-M14	PSPE-I30M8F-M14
PSPE-I40M5M-M10	PSPE-I40RM5M-M10	PSPE-I40M5F-M10	-	-
PSPE-I50M5M-M10	PSPE-I50RM5M-M10	PSPE-I50M5F-M10	PSPE-I50M8M-M14	PSPE-I50M8F-M14

Selection-Lateral direction

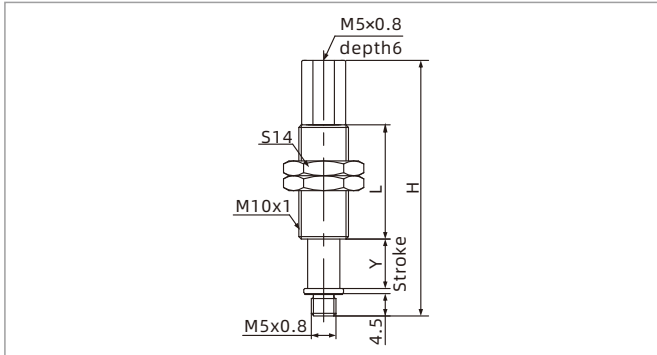
Model/Connection thread LA4M5M	LA6M5M	BA4M5M	BA6M5M
PSPE-I6LA4M5M-M8	PSPE-I6LA6M5M-M8	PSPE-I6BA4M5M-M8	PSPE-I6BA6M5M-M8
PSPE-I10LA4M5M-M8	PSPE-I10LA6M5M-M8	PSPE-I10BA4M5M-M8	PSPE-I10BA6M5M-M8
PSPE-I15LA4M5M-M8	PSPE-I15LA6M5M-M8	PSPE-I15BA4M5M-M8	PSPE-I15BA6M5M-M8
PSPE-I25LA4M5M-M8	PSPE-I25LA6M5M-M8	PSPE-I25BA4M5M-M8	PSPE-I25BA6M5M-M8
PSPE-I10LA4M5M-M10	PSPE-I10LA6M5M-M10	PSPE-I10BA4M5M-M10	PSPE-I10BA6M5M-M10
PSPE-I20LA4M5M-M10	PSPE-I20LA6M5M-M10	PSPE-I20BA4M5M-M10	PSPE-I20BA6M5M-M10
PSPE-I30LA4M5M-M10	PSPE-I30LA6M5M-M10	PSPE-I30BA4M5M-M10	PSPE-I30BA6M5M-M10
PSPE-I40LA4M5M-M10	PSPE-I40LA6M5M-M10	PSPE-I40BA4M5M-M10	PSPE-I40BA6M5M-M10
PSPE-I50LA4M5M-M10	PSPE-I50LA6M5M-M10	PSPE-I50BA4M5M-M10	PSPE-I50BA6M5M-M10

◇ Note: It is suggested that the actual working compressed stroke of level compensator should not exceed 50% of its max. compressed stroke

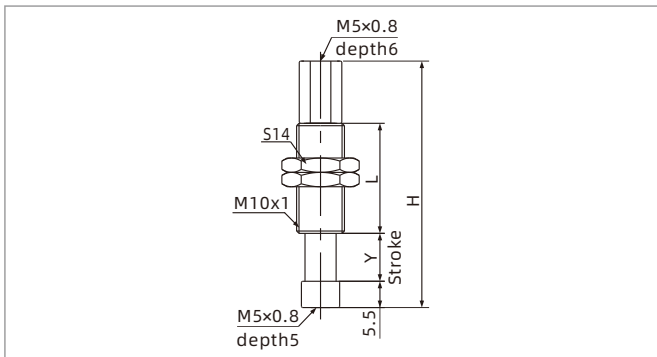
PSPE Series

Small and Light Level Compensator

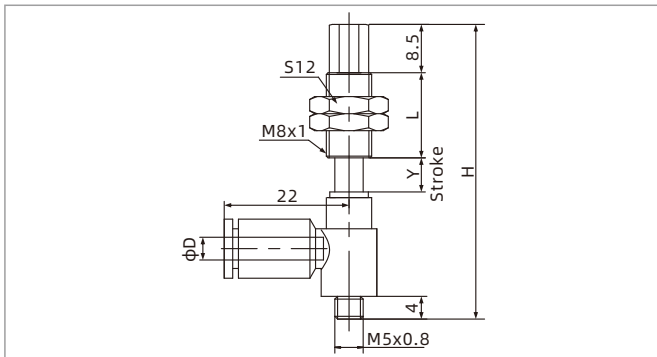
Dimensions(mm)



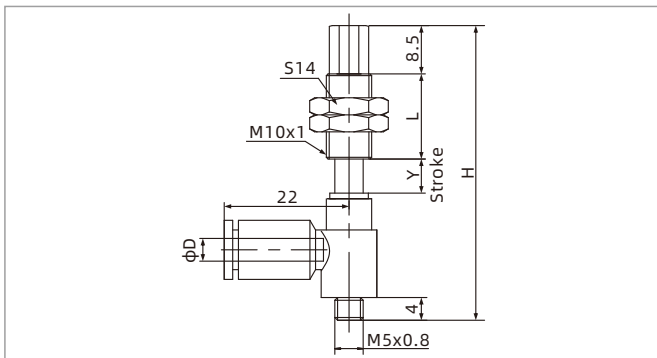
M5M-Vertical male thread connection



M5F-Vertical female thread connection



M5M-Lateral male thread connection



M5M-Lateral male thread connection

Model/Size	H	L	Y	Weight g	F1 N	F2 N
PSPE-I10(R)M5M-M10	51.5	23	10	22	1.0	3.0
PSPE-I20(R)M5M-M10	89.5	51	20	34	1.0	3.0
PSPE-I30(R)M5M-M10	99.5	51	30	36	1.0	3.0
PSPE-I40(R)M5M-M10	135.5	77	40	47	1.0	3.0
PSPE-I50(R)M5M-M10	145.5	77	50	50	1.0	3.0

Model/Size	H	L	Y	Weight g	F1 N	F2 N
PSPE-I10M5F-M10	51.5	23	10	23	1.0	3.0
PSPE-I20M5F-M10	89.5	51	20	36	1.0	3.0
PSPE-I30M5F-M10	99.5	51	30	38	1.0	3.0
PSPE-I40M5F-M10	135.5	77	40	49	1.0	3.0
PSPE-I50M5F-M10	145.5	77	50	51	1.0	3.0

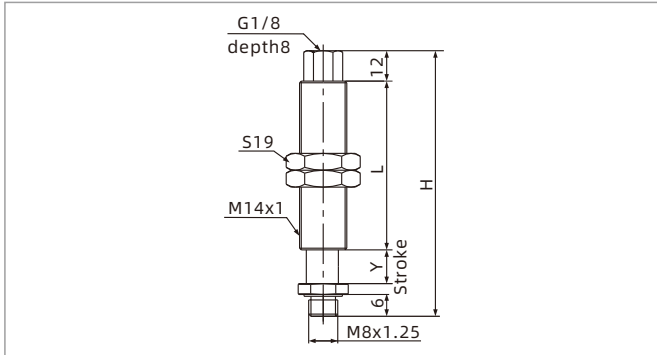
Model/Size	H	L	Y	D	Weight g	F1 N	F2 N
PSPE-I6L(B)A4M5M-M8	52	15	6	4	19	0.8	1.2
PSPE-I6L(B)A6M5M-M8	52	15	6	6	20	0.8	1.2
PSPE-I10L(B)A4M5M-M8	84	43	10	4	26	0.8	1.2
PSPE-I10L(B)A6M5M-M8	84	43	10	6	28	0.8	1.2
PSPE-I15L(B)A4M5M-M8	89	43	15	4	27	0.8	1.2
PSPE-I15L(B)A6M5M-M8	89	43	15	6	29	0.8	1.2
PSPE-I25L(B)A4M5M-M8	99	43	25	4	29	0.8	1.2
PSPE-I25L(B)A6M5M-M8	99	43	25	6	30	0.8	1.2

Model/Size	H	L	Y	D	Weight g	F1 N	F2 N
PSPE-I10L(B)A4M5M-M10	64	23	10	4	26	1.0	3.0
PSPE-I10L(B)A6M5M-M10	64	23	10	6	28	1.0	3.0
PSPE-I20L(B)A4M5M-M10	102	51	20	4	44	1.0	3.0
PSPE-I20L(B)A6M5M-M10	102	51	20	6	46	1.0	3.0
PSPE-I30L(B)A4M5M-M10	112	51	30	4	46	1.0	3.0
PSPE-I30L(B)A6M5M-M10	112	51	30	6	48	1.0	3.0
PSPE-I40L(B)A4M5M-M10	148	77	40	4	59	1.0	3.0
PSPE-I40L(B)A6M5M-M10	148	77	40	6	62	1.0	3.0
PSPE-I50L(B)A4M5M-M10	158	77	50	4	62	1.0	3.0
PSPE-I50L(B)A6M5M-M10	158	77	50	6	65	1.0	3.0

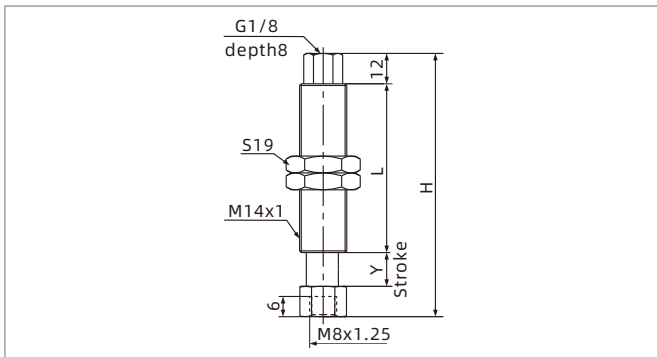
PSPE Series

Small and Light Level Compensator

Dimensions(mm)



M8M-Vertical male thread connection



M8F-Vertical female thread connection

Model/Size	H	L	Y	Weight g	F1 N	F2 N
PSPE-I10M8M-M14	84.5	50	10	68	2.0	5.5
PSPE-I20M8M-M14	90	50	20	71	2.0	5.5
PSPE-I30M8M-M14	100	50	30	76	2.0	5.5
PSPE-I50M8M-M14	145	50	50	102	2.0	5.5

Model/Size	H	L	Y	Weight g	F1 N	F2 N
PSPE-I10M8F-M14	75	44	10	70	2.0	5.5
PSPE-I20M8F-M14	85	44	20	73	2.0	5.5
PSPE-I30M8F-M14	95	44	30	80	2.0	5.5
PSPE-I50M8F-M14	146	75	50	106	2.0	5.5

◇ Note: "F1" means spring force at 0 stroke
 "F2" means spring force at max. stroke

PSPL Series

Retractive Level Compensator



ELECTRONICS



Features

- ◇ Level compensator with built-in spring, small elasticity
- ◇ Small size and light weight
- ◇ special surface treatment for guide rod
- ◇ Guide sleeve with built-in resin bushing
- ◇ Retractive structure design

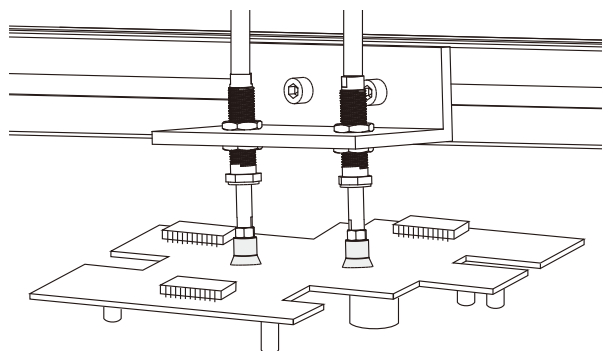
Advantages

- ◇ Avoid pollution and external mechanical force, flexible contact
- ◇ Suitable for fast handling in small space
- ◇ Resistant to environment, corrosion and abrasion
- ◇ Reduce metal dust, special for dust-free working condition
- ◇ During the operation, the hose is static and without transverse load



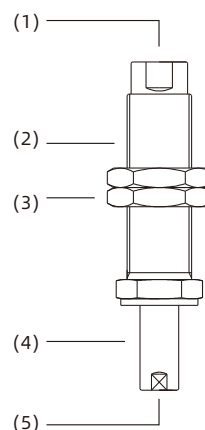
Applications

- ◇ Suitable for electronic industry
- ◇ Suitable for handling light and small workpieces with flexible contact
- ◇ Suitable for handling workpieces with height difference
- ◇ Suitable for dust-free working condition



Structure

- ◇ (1) Vacuum generator connection
- ◇ (2) Guide sleeve
- ◇ (3) Mounting nut
- ◇ (4) Guide rod
- ◇ (5) Suction cup connection



PSPL Series

Retractive Level Compensator

How to order

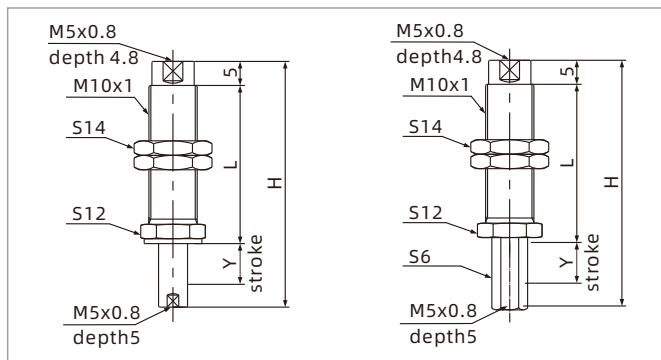
PSPL - I 10 R M5F - M10
 ① ② ③ ④ ⑤ ⑥

Series	Buffer style	③ Buffer stroke	Rotary type	⑤ Vacuum port connection	⑥ Mounting thread
PSPL	I - Built-in spring	3 10 15 20	Nil - Vertical rotating R - Vertical non-rotating	M5F - M5x0.8 female thread	M10 - M10x1

Selection

Model/Buffer stroke	3	10	15	20
PSPL-I□M5F-M10	PSPL-I3M5F-M10	PSPL-I10M5F-M10	PSPL-I15M5F-M10	PSPL-I20M5F-M10
PSPL-I□RM5F-M10	-	PSPL-I10RM5F-M10	PSPL-I15RM5F-M10	PSPL-I20RM5F-M10

Dimensions(mm)

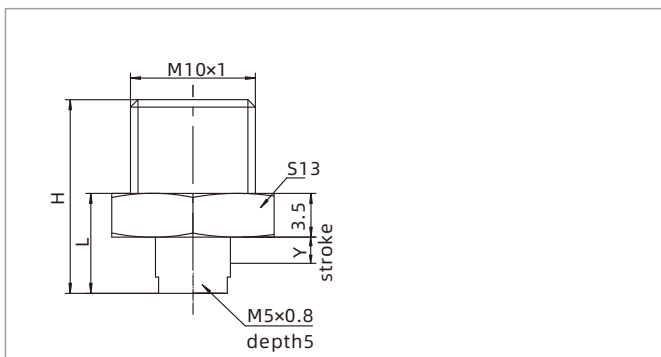


PSPL-I□M5F-M10

PSPL-I□RM5F-M10

Model/Size	H	L	Y	F1 N	F2 N
PSPL-I10(R)M5F-M10	51	31.8	10	1.0	1.4
PSPL-I15(R)M5F-M10	61	36.8	15	1.0	1.4
PSPL-I20(R)M5F-M10	71	41.8	20	1.0	1.4

- ◇ Note: 1. "F1" means spring force at 0 stroke, "F2" means spring force at max. stroke
- 2. The locking torque of M10 nut is 2.5 ~ 3.5N.M, please work within the specified torque range



PSPL-I3M5F-M10

Model/Size	H	L	Y	F1 N	F2 N
PSPL-I3M5F-M10	16.5	9	3	0.7	1.0

- ◇ Note: 1. "F1" means spring force at 0 stroke, "F2" means spring force at max. stroke

ZFB Series

Universal Vacuum Filter



UNIVERSAL

Features

- ◇ Filter dust and other particles from the vacuum port
- ◇ Transparent housing, easy to check the degree of contamination
- ◇ Filter elements could be replaced
- ◇ Different nominal flow for option
- ◇ Suitable for vacuum system with light and medium pollution level
- ◇ Could be used for as prefilter, it can effectively filter dust with different degrees



How to order

ZFB 15 B

① ② ③

① Series	② Connection thread	③ Bracket
ZFB	10 - G3/8 female thread 15 - G1/2 female thread 20 - G3/4 female thread 25 - G1" female thread 40 - G1"1/2 female thread	B - Default, with bracket

Selection

Model/Connection thread		20 - G3/4	25 - G1"	40 - G1"1/2
10 - G3/8	15 - G1/2			
ZFB10B	ZFB15B	ZFB20B	ZFB25B	ZFB40B

Technical parameters

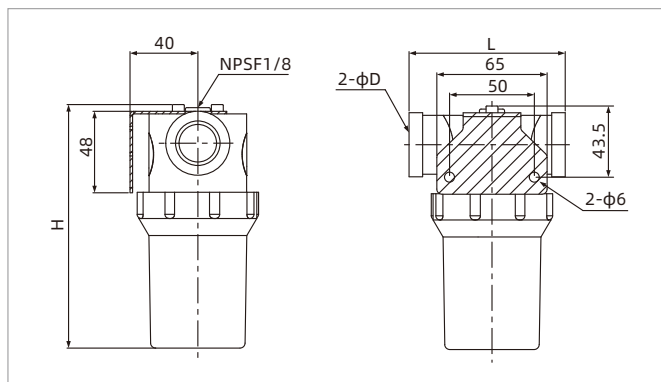
Model	Rated operating pressure range kPa	Material	Nominal flow NL/min	Internal volume cm ³	Filter area m ²	Removal efficiency μm	Working temperature °C	Weight g
ZFB10B	-100~0	PA, PC, PE	150	45	0.003	10	-20~80	70
ZFB15B	-100~0	PA, PC, PE	900	195	0.010	10	-20~80	168
ZFB20B	-100~0	PA, PC, PE	900	205	0.010	10	-20~80	170
ZFB25B	-100~0	PA, PC, PE	2,520	495	0.019	10	-20~80	424
ZFB40B	-100~0	PA, PC, PE	5,100	675	0.023	10	-20~80	550

ZFB Series

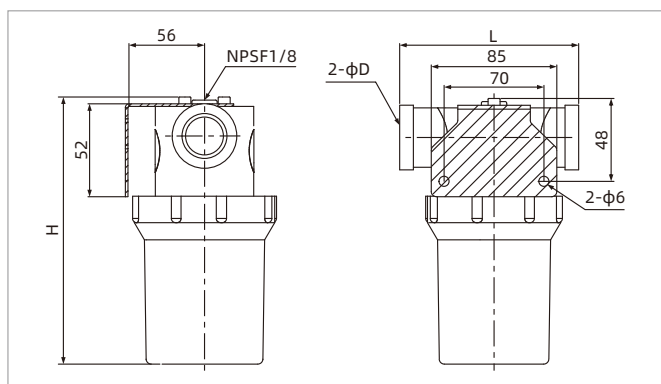
Universal Vacuum Filter



Dimensions (mm)



ZFB10(15-20)B

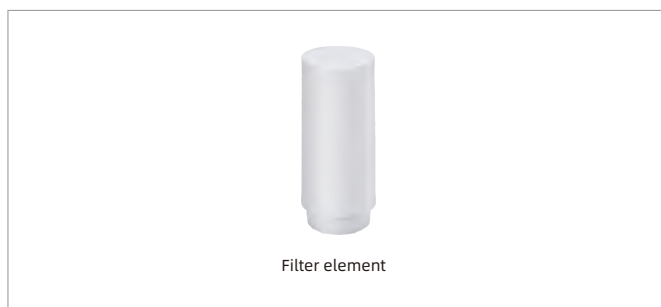


ZFB25B ZFB40B

Model/Size	H	L	D
ZFB10B	74.5	76.5	2-G3/8
ZFB15B	134.5	91.5	2-G1/2
ZFB20B	143.5	92	2-G3/4

Model/Size	H	L	D
ZFB25B	169.5	127	2-G1"
ZFB40B	212.5	127	2-G1"1/2

Repair kits



Item	Model	Size	Applicable vacuum filter
Filter element	ZFB10-FE	15×26×L35	ZFB10
	ZFB20-FE	27.5×39×L90	ZFB15、20
	ZFB25-FE	45×57×L104	ZFB25
	ZFB40-FE	45×57×L136	ZFB40

◇ Note: The minimum packing quantity of filter element is 10pcs/bag