

ABP Series

Vacuum Generator with Fast Blow-off



UNIVERSAL

Features

- ◇ Axial connection
- ◇ Plastic housing, compact size, light weight
- ◇ Connect plug-in fitting directly
- ◇ Optimal direct lateral exhaust design
- ◇ Built-in fast breaking device, no need of external drive

Advantages

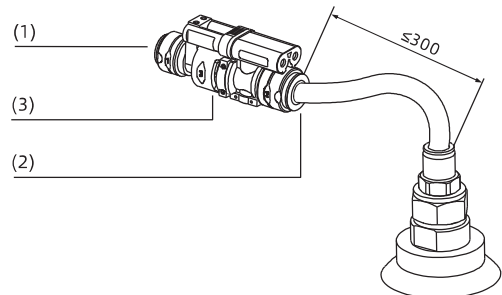
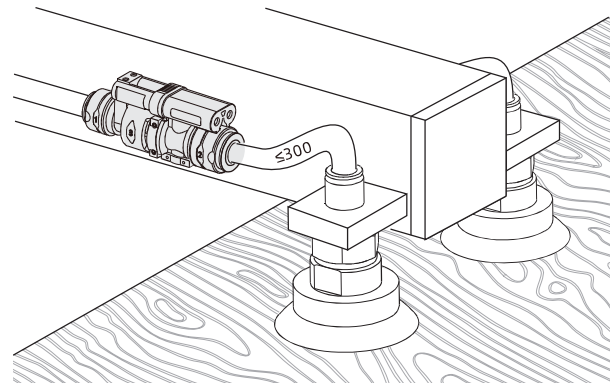
- ◇ Connect hose directly
- ◇ Suitable for installing in narrow space
- ◇ Easy to mount, there is no need to add extra mounting accessories
- ◇ Reduce product noise most
- ◇ Release product fast

Applications

- ◇ The linear vacuum generator can be connected with the PU hose directly
- ◇ Suitable for the handling systems with limited space
- ◇ Suitable for occasions where there is no need of external drive and can automatically release workpiece fast
- ◇ Suitable for occasions where need to grip and release workpieces fastly, and there is requirement for light weight of whole equipment, etc.

Structure

- ◇ (1) Air supply port
- ◇ (2) Vacuum port
- ◇ (3) Exhaust port



Vacuum Generator

AZK

AZX

AZD

AGS

AGB

AGP

AGX

AGE

ABM/ABX

ABM/ABX
Combined Type

AMC

AM/AL/AH

AM/AL
Combined Type

AMD

AZW

AZR

ABT

ABP

ABQ

AEVC

AZL

AZH

AZU

ACV

ASBP

ALS

ACP

ACPF

ACPS

APB

ABP Series



Vacuum Generator with Fast Blow-off

How to order

ABP - 10

① ②

① Series	② Specification
ABP	10

Technical parameters

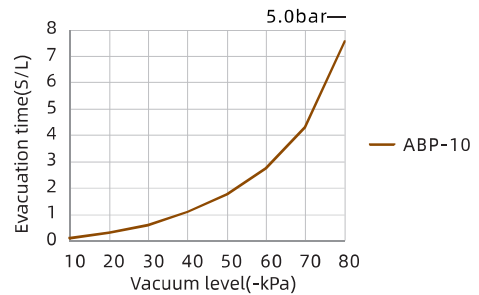
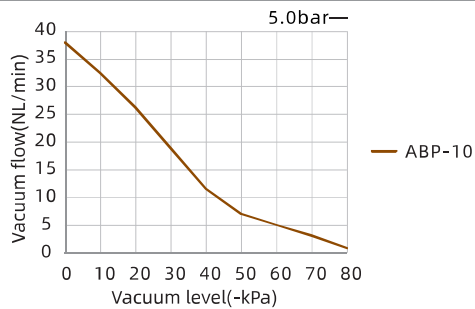
Model	Air supply pressure range bar	Rated air supply pressure bar	Max. vacuum level -kPa	Max. vacuum flow NL/min	Air consumption NL/min	Noise level dB(A)	Working temperature °C	Weight g	Recommended hose dia.(mm) Air supply port p	Vacuum port v
ABP-10	4.0~7.0	5.0	81	38	38	70	0~60	34	φ8	φ10

Vacuum flow(NL/min) at different vacuum levels(-kPa)

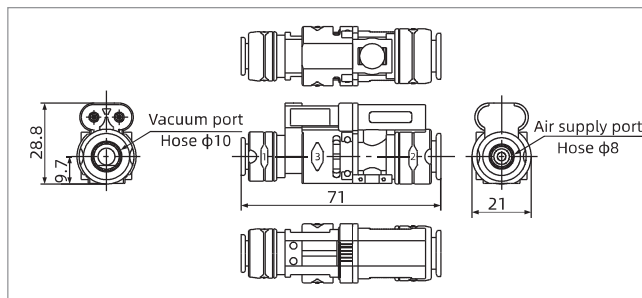
Model	Air supply pressure bar	Air consumption NL/min	0	10	20	30	40	50	60	70	80	Max. vacuum level -kPa
ABP-10	5.0	38	38.0	32.4	26.3	18.9	11.5	7.1	5.0	3.2	0.8	81

Evacuation time(s/L) to reach different vacuum levels(-kPa)

Model	Air supply pressure bar	Air consumption NL/min	10	20	30	40	50	60	70	80	Max. vacuum level -kPa
ABP-10	5.0	38	0.12	0.32	0.61	1.08	1.76	2.73	4.29	7.58	81

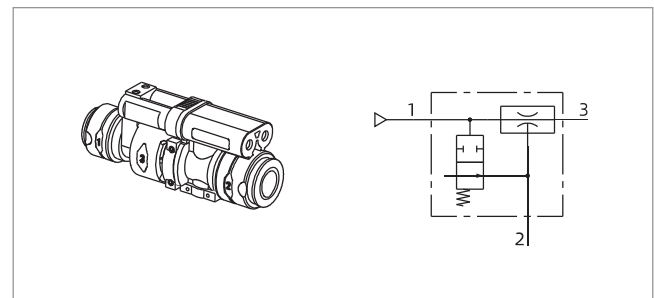


Dimensions(mm)



ABP-10

ABP-10 Air circuit schematic diagram



ABP-10

Note: 1. Air supply port, 2. Vacuum port, 3. Exhaust port