

ABT Series

Mini Vacuum Generator

AIRBEST



UNIVERSAL

Features

- ◇ Linear installation
- ◇ Long and thin plastic housing, compact size
- ◇ Quick plug connector for direct connection
- ◇ Optimal lateral direct exhaust design

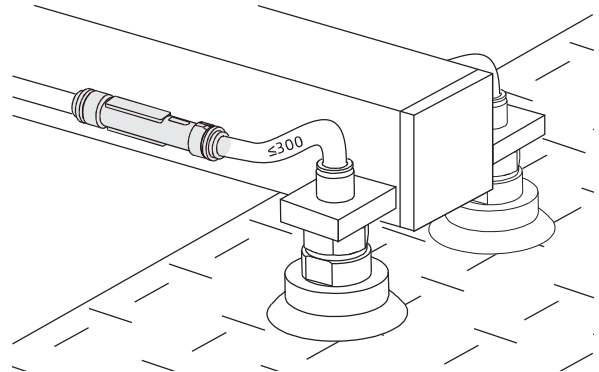
Advantages

- ◇ Can be connected to the hose directly
- ◇ Suitable for installation in narrow spaces
- ◇ Convenient connection, no additional installation accessories are required
- ◇ Minimize product noise



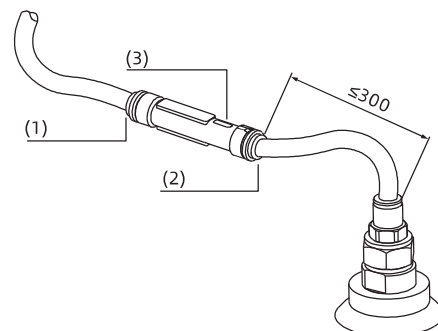
Applications

- ◇ The linear vacuum generator can be connected to the PU hose directly
- ◇ Suitable for the handling systems with limited space



Structure

- ◇ (1) Air supply port
- ◇ (2) Vacuum port
- ◇ (3) Exhaust port



ABT Series

Mini Vacuum Generator

How to order

ABT - T05

① ②

① Series	② Specification
ABT	S02 X10 T05 P12 X2.5 D16 S08

Technical parameters

Model	Air supply pressure range bar	Rated air supply pressure bar	Max. vacuum level -kPa	Max. vacuum flow NL/min	Air consumption NL/min	Noise level dB(A)	Working temperature °C	Weight g	Recommended hose dia.(mm)	
									Air supply port	Vacuum port
ABT-S02	4.0~7.0	6.0	75	16.8	8	70	0~60	15	φ6	φ6
ABT-T05	4.0~7.0	5.0	81	18	18.5	70	0~60	15	φ6	φ6
ABT-X2.5	4.0~7.0	5.0	90	15.6	9.5	70	0~60	15	φ6	φ6
ABT-S08	4.0~7.0	6.0	75	46	27	73	0~60	29	φ8	φ8
ABT-X10	4.0~7.0	5.0	92	42	30	73	0~60	29	φ8	φ8
ABT-P12	2.0~7.0	3.14	90	42	29	73	0~60	29	φ8	φ8
ABT-D16	4.0~7.0	6.0	72	40	46	77	0~60	29	φ8	φ8

Vacuum flow(NL/min) at different vacuum levels(-kPa)

Model	Air supply pressure bar	Air consumption NL/min	Max. vacuum level -kPa									
			0	10	20	30	40	50	60	70	80	
ABT-S02	6.0	8	16.8	12.2	6.3	4.6	3.9	3.0	2.0	-	-	75
ABT-T05	5.0	18.5	18	16.2	13.3	9.9	8.2	5.6	4.2	3.1	1.3	81
ABT-X2.5	5.0	9.5	15.6	11.6	6.6	4	3.3	2.6	1.7	-	-	90
ABT-S08	6.0	27	46	42	32.6	22.6	12	9.8	8.3	5.9	-	75
ABT-X10	5.0	30	42	40	30.6	22.2	13.5	8.9	6.6	4.5	2	92
ABT-P12	3.14	29	42	36	25.6	14.9	10.4	8.9	6.6	4.2	19	90
ABT-D16	6.0	46	40	38	30.5	26.7	22	17	12	3.5	-	72

Evacuation time(s/L) to reach different vacuum levels(-kPa)

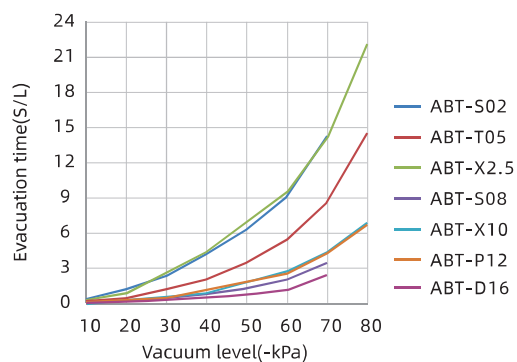
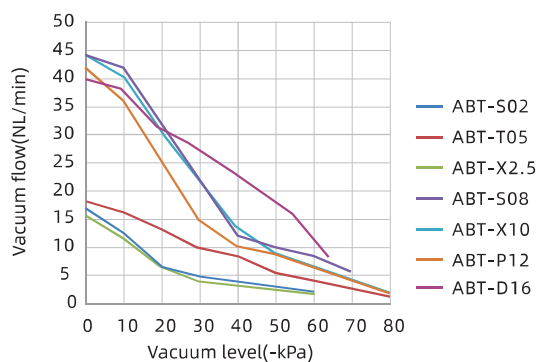
Model	Air supply pressure bar	Air consumption NL/min	Max. vacuum level -kPa								
			10	20	30	40	50	60	70	80	
ABT-S02	6.0	8	0.3	1.1	2.4	4.1	6.2	9	14.3	-	75
ABT-T05	5.0	18.5	0.18	0.52	1.11	1.98	3.35	5.45	8.5	14.6	81
ABT-X2.5	5.0	9.5	0.3	0.9	2.4	4.3	6.7	9.5	14.1	22.03	90
ABT-S08	6.0	27	0.07	0.2	0.39	0.74	1.35	2.14	3.35	-	75
ABT-X10	5.0	30	0.05	0.23	0.48	0.95	1.68	2.71	4.18	6.86	92
ABT-P12	3.14	29	0.12	0.29	0.59	1.07	1.86	2.66	4.33	6.72	90
ABT-D16	6.0	46	0.04	0.18	0.39	0.63	0.95	1.47	3.1	-	72

ABT Series

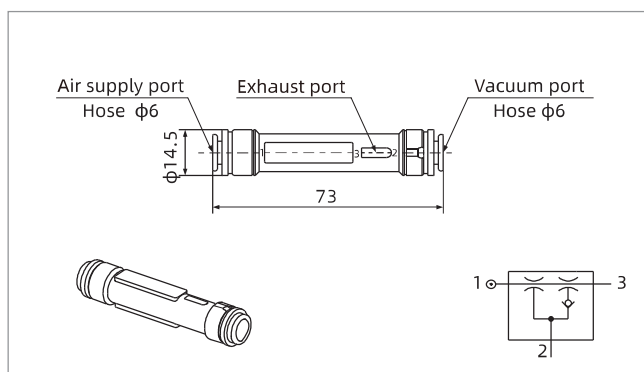
Mini Vacuum Generator



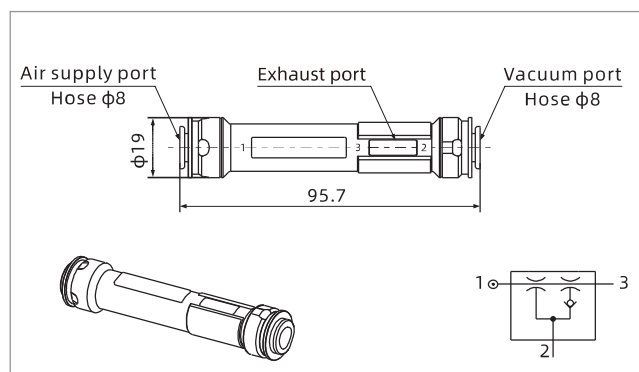
Technical parameters



Dimensions(mm)



ABT-S02/T05/X2.5



ABT-S08/X10/P12/D16