

ACP Series

Conveying Vacuum Generator



BIOPHARMING



FOOD



PACKAGING

Features

- ◇ Straight-through design, extremel large vacuum flow
- ◇ Vacuum flow is adjustable according to the working condition
- ◇ Different diameters are available

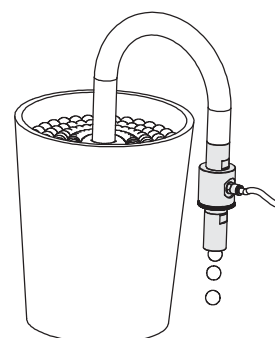
Advantages

- ◇ Handling of workpieces with high permeability, particle, powder, gas and fluid
- ◇ Vacuum flow can be manually adjusted according to the different working conditions



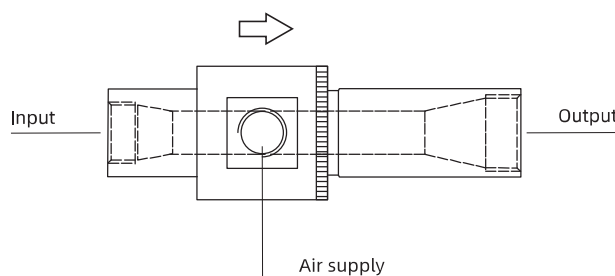
Applications

- ◇ Handling of loose materials such as textile and paper
- ◇ Conveying of grains such as wheat and corn
- ◇ Conveying of powder particles such as laundry detergent and plastic particles
- ◇ Removal of cutter chips during machining
- ◇ Suction of non-corrosive waste water and waste gas during industrial processing



Structure

- ◇ Straight-through design, can adsorb and transport different materials continuously
- ◇ All ports are connected with female thread



ACP Series

Conveying Vacuum Generator



How to order

ACP 250 S

① ② ③

① Series	② Specification	③ Material
ACP	250	Nil - Aluminum alloy
	375	S - Stainless steel
	500	
	750	

Selection

Model/Material Nil-Aluminum alloy	S - Stainless steel
ACP250	ACP250S
ACP375	ACP375S
ACP500	ACP500S
ACP750	ACP750S

Technical parameters

Air consumption(NL/min) at different vacuum levels(-kPa)

Model	Nozzle diameter mm	Air supply pressure bar						Working temperature °C	Aluminum alloy	Weight (g)	
			17	34	50	68	84			Aluminum alloy	Stainless steel
ACP250	6.5	5.5	112	169	233	276	342	-20~80	100	296	
ACP375	9.5	5.5	176	327	485	595	825	-20~80	286	846	
ACP500	13.0	5.5	340	625	795	940	1,280	-20~80	401	1,189	
ACP750	19.0	5.5	650	875	1,250	1,790	2,550	-20~80	540	1,599	

Vacuum flow(NL/min) at different vacuum levels(-kPa)

Model	Air supply pressure bar					
		17	34	50	68	84
ACP250	5.5	280	240	200	162	125
ACP375	5.5	846	735	620	520	395
ACP500	5.5	1,695	1,325	1,130	990	650
ACP750	5.5	3,390	2,460	1,970	1,440	1,130

Vacuum Generator

AZK

AZX

AZD

AGS

AGB

AGP

AGX

AGE

ABM/ABX

ABM/ABX
Combined Type

AMC

AM/AL/AH

AM/AL
Combined Type

AMD

AZW

AZR

ABT

ABP

ABQ

AEVC

AZL

AZH

AZU

ACV

ASBP

ALS

ACP

ACPF

ACPS

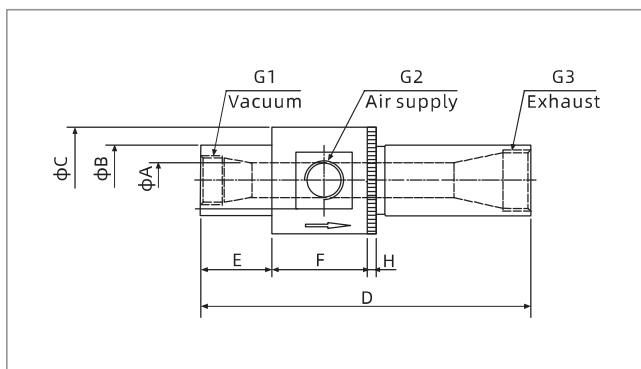
APB

ACP Series

Conveying Vacuum Generator



Dimensions(mm)



ACP

Model/Size	A	B	C	D	E	F	H	G1	G2	G3
ACP250	6.5	19	32	94~105	22	32	5	G1/4	G1/8	G1/4
ACP375	9.5	25	45	155~165	38	45	5	G3/8	G3/8	G1/2
ACP500	13.0	32	51	155~160	38	51	5	G1/2	G3/8	G3/4
ACP750	19.0	38	58	175~189	38	51	5	G3/4	G1/2	G1"