

# ACPF Series

## Conveying Vacuum Generator



BIOPHARMING



FOOD



PACKAGING

### Features

- ◇ Straight-through design, extremely large vacuum flow
- ◇ Different diameters are available, the largest diameter is 38mm

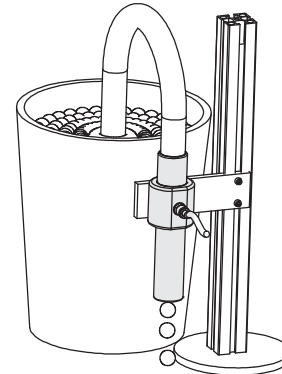
### Advantages

- ◇ Handling of workpieces with high permeability, particle, powder, gas and fluid



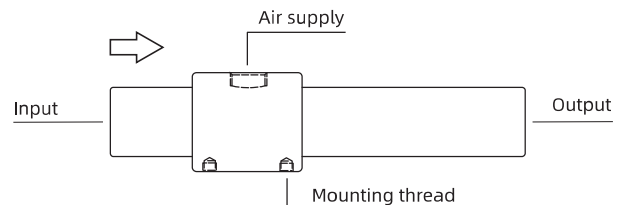
### Applications

- ◇ Handling of loose materials such as textile and paper
- ◇ Conveying of grains such as wheat and corn
- ◇ Conveying of powder particles such as laundry detergent and plastic particles
- ◇ Removal of cutter chips during machining
- ◇ Suction of non-corrosive waste water and waste gas during industrial processing



### Structure

- ◇ Straight-through design, can adsorb and transport different materials continuously
- ◇ With mounting threaded hole
- ◇ The ports of ACPF3-3 are threaded connection, and the others are connected by external steel wire hoses



Vacuum Generator

AZK

AZX

AZD

AGS

AGB

AGP

AGX

AGE

ABM/ABX

ABM/ABX  
Combined Type

AMC

AM/AL/AH

AM/AL  
Combined Type

AMD

AZW

AZR

ABT

ABP

ABQ

AEVC

AZL

AZH

AZU

ACV

ASBP

ALS

ACP

ACPF

ACPS

APB

# ACPF Series

## Conveying Vacuum Generator



### How to order

## ACPF 2-3 S

①      ②      ③

① Series	② Specification	③ Material
ACPF	2-3	Nil- Aluminum alloy
	3-3	S-Stainless steel
	5-6	
	7-6	
	15-3	
	15-6	

### Selection

Model/Material	
Nil-Aluminum alloy	S - Stainless steel
ACPF2-3	ACPF2-3S
ACPF3-3	ACPF3-3S
ACPF5-6	ACPF5-6S
ACPF7-6	ACPF7-6S
ACPF15-3	ACPF15-3S
ACPF15-6	ACPF15-6S

### Technical parameters

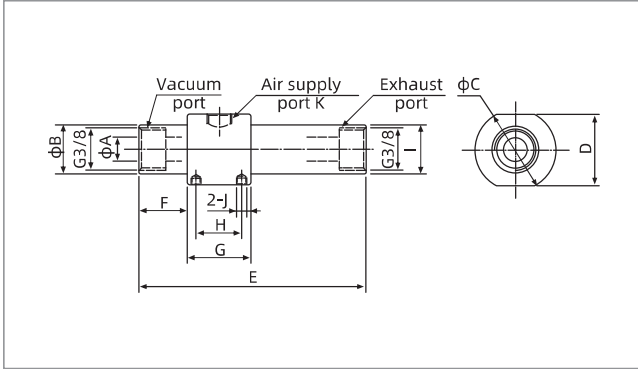
Model	Nozzle diameter mm	Rated air supply pressure bar	Max. vacuum level -kPa	Max. vacuum flow NL/min	Air consumption		Working temperature °C	Weight(g)	
					2.8bar	NL/min 5.5bar		Aluminum alloy	Stainless steel
ACPF2-3	6.5	6.0	26.0	295	85	160	-20~80	85	252
ACPF3-3	9.5	6.0	16.0	425	95	170	-20~80	69	205
ACPF5-6	12.5	6.0	35.0	870	395	680	-20~80	170	505
ACPF7-6	19.0	6.0	28.0	1,825	790	1,365	-20~80	388	1,151
ACPF15-3	25.0	6.0	4.4	4,400	405	695	-20~80	519	1,537
ACPF15-6	38.0	6.0	9.0	5,610	790	1,365	-20~80	659	1,953

# ACPF Series

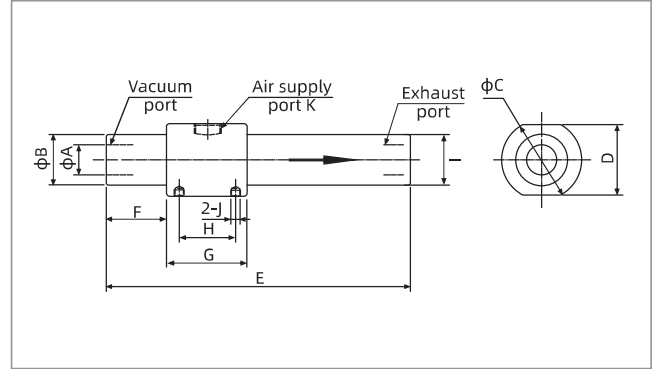
## Conveying Vacuum Generator



### Dimensions(mm)



ACPF3-3



ACPF(Other sizes)

Model/Size	A	B	C	D	E	F	G	H	I	J	K
ACPF2-3	6.5	18.5	32	28	89	19	25	18	19.5	M4×0.7	G1/8
ACPF3-3	9.5	18.5	32	28	89	19	25	18	19.5	M4×0.7	G1/8
ACPF5-6	12.5	24.0	38	34	140	25	32	23	25.0	M4×0.7	G1/4
ACPF7-6	19.0	31.0	50	45	190	38	50	35	33.0	M4×0.7	G3/8
ACPF15-3	25.0	38.0	59	55	198	40	56	40	38.0	M4×0.7	G3/8
ACPF15-6	38.0	49.6	69	65	205	40	60	42	49.6	M4×0.7	G3/8

Vacuum Generator

AZK

AZX

AZD

AGS

AGB

AGP

AGX

AGE

ABM/ABX

ABM/ABX  
Combined Type

AMC

AM/AL/AH

AM/AL  
Combined Type

AMD

AZW

AZR

ABT

ABP

ABQ

AEVC

AZL

AZH

AZU

ACV

ASBP

ALS

ACP

**ACPF**

ACPS

APB