

AEVC Series

Vacuum Generator with Fast Blow-off



METAL SHEET



PACKAGING



AUTOMOTIVE

Features

- ◇ Fast suction and blow-off
- ◇ Main body is made of plastic
- ◇ Suitable mounting bracket
- ◇ With built-in silencer

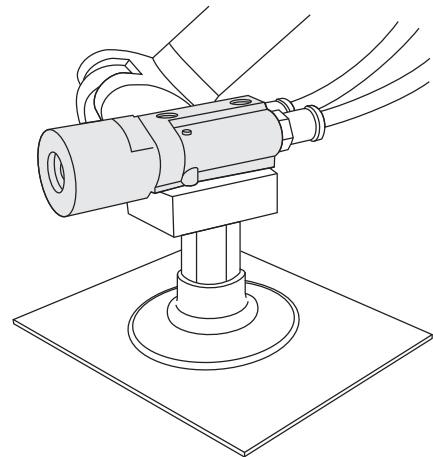
Advantages

- ◇ Short action cycle
- ◇ Small size, light weight, especially suitable for high speed working
- ◇ Could be fixed with suction cup and connector directly
- ◇ Reduce noise greatly



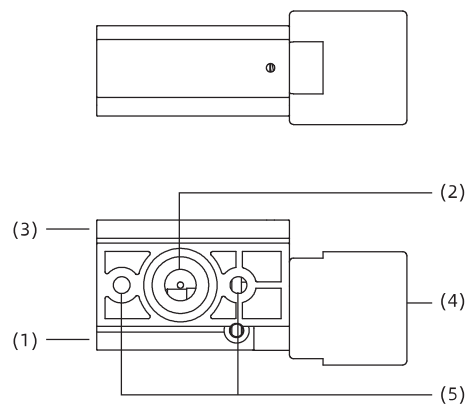
Applications

- ◇ Suitable for occasions where need blow-off function and short working cycle, such as metal sheet processing, automotive industry, packaging machine and industrial robot



Structure

- ◇ (1) Air supply port
- ◇ (2) Vacuum port
- ◇ (3) Release port
- ◇ (4) Silencer
- ◇ (5) Mounting hole



AZK

AZX

AZD

AGS

AGB

AGP

AGX

AGE

ABM/ABX

ABM/ABX
Combined Type

AMC

AM/AL/AH

AM/AL
Combined Type

AMD

AZW

AZR

ABT

ABP

ABQ

AEVC

AZL

AZH

AZU

ACV

ASBP

ALS

ACP

ACPF

ACPS

APB

AEVC Series



Vacuum Generator with Fast Blow-off

How to order

AEVC 10 - S - G2F

① ② ③ ④

① Series	② Nozzle diameter	③ Mounting type	④ Mounting thread
AEVC	10 - ϕ 1.0mm	Nil - Without mounting block S - Vertical mounting block L - Lateral mounting block B - Oval vertical mounting block	Nil - Without thread G1F - G1/8 female thread G2F - G1/4 female thread

Selection

Model/Mounting type Nil - Without mounting block	S - Vertical mounting block	L - Lateral mounting block	B - Oval vertical mounting block
AEVC10	AEVC10-S-G2F	AEVC10-L-G2F	AEVC10-B-G1F AEVC10-B-G2F

Technical parameters

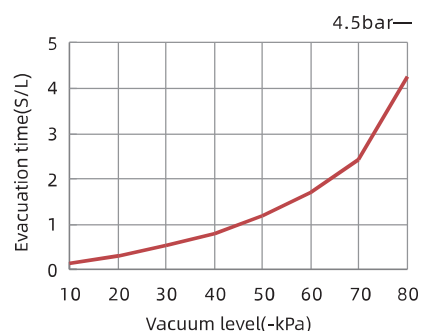
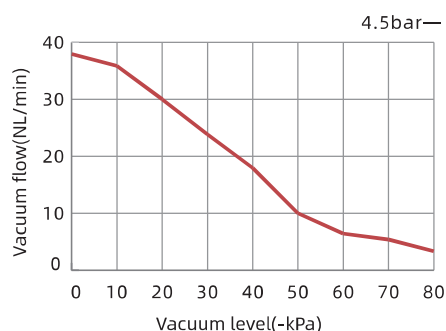
Model	Rated air supply pressure bar	Max. vacuum level -kPa	Max.vacuum flow NL/min	Air consumption NL/min	Noise level dB(A)	Weight g
AEVC10	4.5	85	35	48.5	73.5	64

Vacuum flow(NL/min) at different vacuum levels(-kPa)

Model	Air supply pressure bar	Air consumption NL/min	0	10	20	30	40	50	60	70	80	Max. vacuum level -kPa
AEVC10	4.5	48.5	35.0	32.0	30.0	24.0	18.0	10.0	6.5	5.5	3.3	85

Evacuation time(s/L) to reach different vacuum levels(-kPa)

Model	Air supply pressure bar	Air consumption NL/min	10	20	30	40	50	60	70	80	Max. vacuum level -kPa
AEVC10	4.5	48.5	0.14	0.30	0.54	0.81	1.19	1.70	2.42	4.27	85

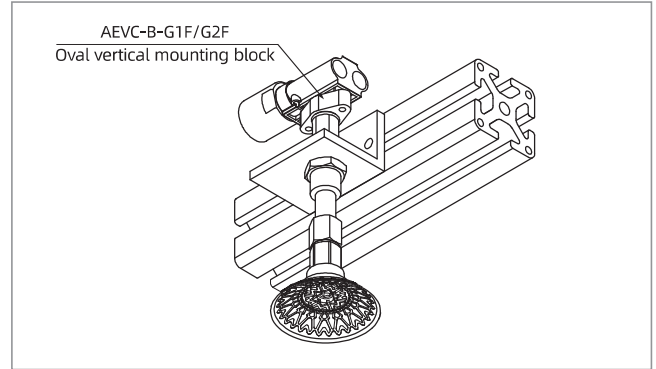
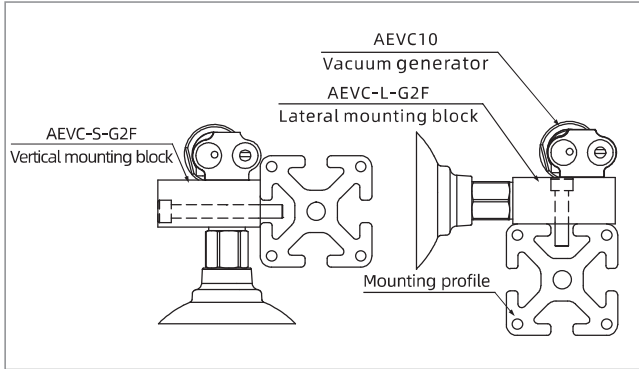


AEVC Series

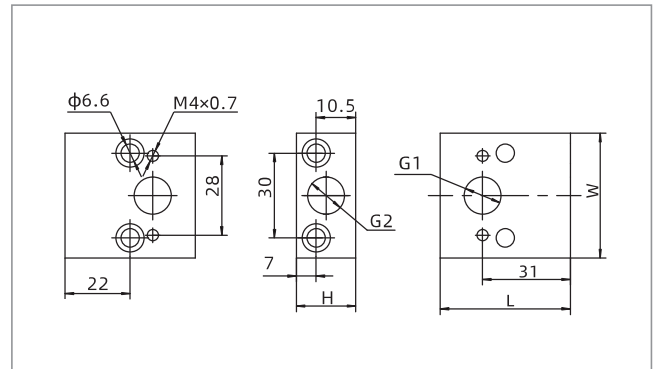
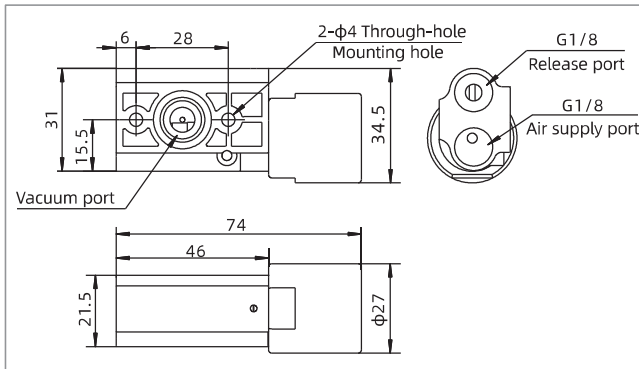
Vacuum Generator with Fast Blow-off



Installation instruction

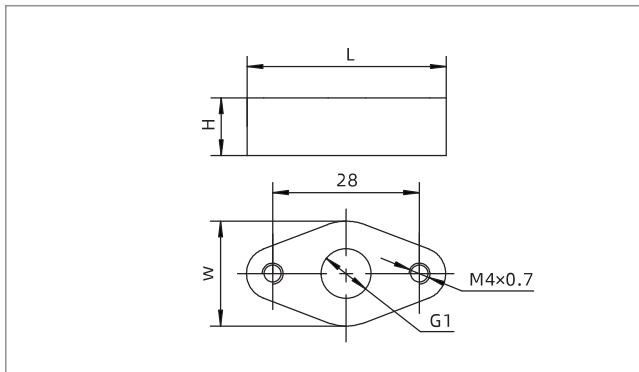


Dimensions(mm)



AEVC10

AEVC-S-G2F AEVC-L-G2F



AEVC-B-G1F AEVC-B-G2F

Model/Size	L	W	H	G1	G2
AEVC-L-G2F	46	44	21	G1/4	-
AEVC-S-G2F	46	44	21	-	G1/4
AEVC-B-G1F	38	20	11	G1/8	-
AEVC-B-G2F	38	20	11	G1/4	-

Accessory Selection

Item	Model
S type Vertical mounting block-G1/4	AEVC-S-G2F
L type Vertical mounting block-G1/4	AEVC-L-G2F

Item	Model
B type Oval vertical mounting block-G1/8	AEVC-B-G1F
B type Oval vertical mounting block-G1/4	AEVC-B-G2F

Vacuum Generator

AZK

AZX

AZD

AGS

AGB

AGP

AGX

AGE

ABM/ABX

ABM/ABX Combined Type

AMC

AM/AL/AH

AM/AL Combined Type

AMD

AZW

AZR

ABT

ABP

ABQ

[AEVC](#)

[AZL](#)

AZH

AZU

ACV

ASBP

ALS

ACP

ACPF

ACPS

APB