

AMD Series

Large Flow Vacuum Generator



UNIVERSAL

Features

- ◇ Built-in vacuum cartridge, greatly improve the energy consumption ratio
- ◇ Suitable connection specifications can be configured according to different vacuum flow requirements
- ◇ Various connection specifications can meet different requirements

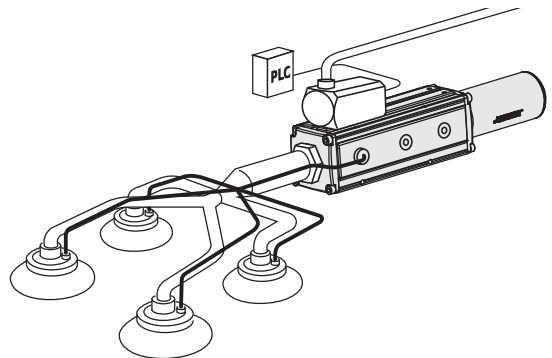
Advantages

- ◇ Easy installation, easy maintenance, it can be replaced by users themselves
- ◇ Various connection specifications can meet different customized requirements
- ◇ Multistage vacuum generator, the housing is made of aluminum alloy



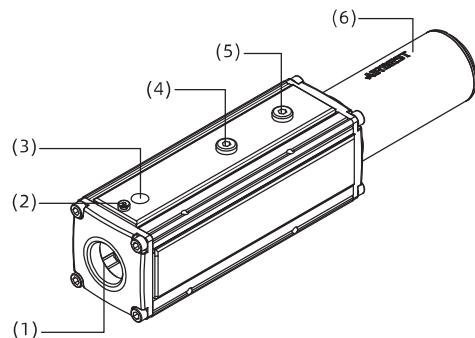
Applications

- ◇ Suitable for multi-station vacuum grasping applications
- ◇ Suitable for vacuum evacuation occasions in pharmaceutical and food industry



Structure

- ◇ (1) Vacuum port
- ◇ (2) Release port
- ◇ (3) Air supply port
- ◇ (4) Vacuum port
- ◇ (5) Exhaust port
- ◇ (6) Silencer



AMD Series

Large Flow Vacuum Generator



How to order

AMD - S 3 - LG8 - G8

① ② ③ ④ ⑤

① Series	② Performance	③ Specification	④ Connection plate specification	⑤ Vacuum port specification
AMD	X - High vacuum level	1	LG8 - Straight exhaust, Air supply port: G1/4	G8 - Vacuum port G1
	S - Large vacuum flow	2	Vacuum detecting port: G1/8,	G6 - Vacuum port G3/4
		3	Exhaust detecting port: G1	
		4	LG6 - Side exhaust, Air supply port: G1/4	
			Vacuum detecting port: G1/8,	
			Exhaust port: G3/4	

Technical parameters

Model	Air supply pressure range bar	Working temperature °C	Rated air supply pressure bar	Max. vacuum level -kPa	Max. vacuum flow NL/min	Air consumption NL/min	Noise level dB(A)	Recommended hose dia. mm	
								(Hose outer dia.) Air supply port	(Wired hose inner dia.) Vacuum port
AMD-X1	4.0~7.0	-10~80	5.0	95	354	130	63~72	≥φ8	≥φ25
AMD-X2	4.0~7.0	-10~80	5.0	95	700	260	63~72	≥φ8	≥φ25
AMD-X3	4.0~7.0	-10~80	5.0	95	980	390	63~72	≥φ10	≥φ45
AMD-X4	4.0~7.0	-10~80	5.0	95	1,380	520	63~72	≥φ10	≥φ45
AMD-S1	4.0~7.0	-10~80	6.0	75	360	135	63~72	≥φ8	≥φ32
AMD-S2	4.0~7.0	-10~80	6.0	75	710	270	63~72	≥φ8	≥φ32
AMD-S3	4.0~7.0	-10~80	6.0	75	1,050	405	63~72	≥φ10	≥φ45
AMD-S4	4.0~7.0	-10~80	6.0	75	1,410	540	63~72	≥φ10	≥φ45

Vacuum flow(NL/min) at different vacuum levels(-kPa)

Model	Air supply pressure bar	Air consumption NL/min	Vacuum level -kPa										Max. vacuum level -kPa
			0	10	20	30	40	50	60	70	80	90	
AMD-X1	5.0	135	354	180	120	78	43.8	34.8	25.8	19.2	10.8	1.8	95
AMD-X2	5.0	270	700	360	240	156	87.6	69.6	51.6	38.4	21.6	3.6	95
AMD-X3	5.0	405	980	540	360	234	131.4	104.4	77.4	57.6	32.4	5.4	95
AMD-X4	5.0	540	1,380	720	480	312	175.2	139.2	103.2	76.8	43.2	7.2	95
AMD-S1	6.0	130	360	210	156	102	54	36	30	21	-	-	75
AMD-S2	6.0	260	710	420	312	204	108	72	60	42	-	-	75
AMD-S3	6.0	390	1,050	630	468	306	162	108	90	66	-	-	75
AMD-S4	6.0	520	1,410	840	624	408	216	144	120	84	-	-	75

Vacuum Generator

AZK

AZX

AZD

AGS

AGB

AGP

AGX

AGE

ABM/ABX

ABM/ABX Combined Type

AMC

AM/AL/AH

AM/AL Combined Type

AMD

AZW

AZR

ABT

ABP

ABQ

AEVC

AZL

AZH

AZU

ACV

ASBP

ALS

ACP

ACPF

ACPS

APB

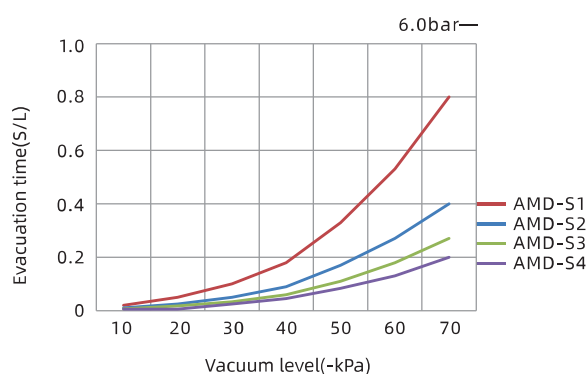
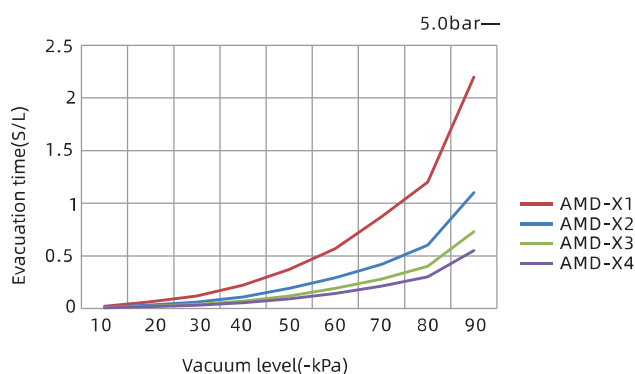
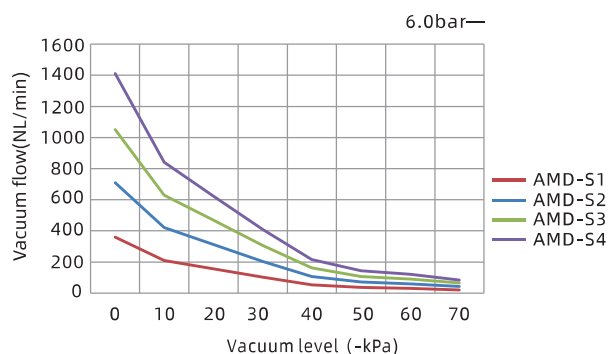
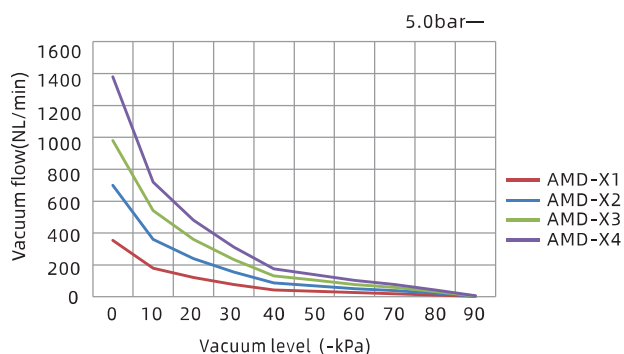
AMD Series

Large Flow Vacuum Generator



Evacuation time(s/L) to reach different vacuum levels(-kPa)

Model	Air supply pressure bar	Air consumption NL/min	10	20	30	40	50	60	70	80	90	Max. Vacuum level -kPa
AMD-X1	5.0	135	0.022	0.063	0.12	0.22	0.37	0.57	0.874	1.2	2.2	95
AMD-X2	5.0	270	0.011	0.031	0.06	0.11	0.19	0.29	0.42	0.6	1.1	95
AMD-X3	5.0	405	0.007	0.021	0.04	0.07	0.12	0.19	0.28	0.4	0.73	95
AMD-X4	5.0	540	0.006	0.016	0.03	0.055	0.09	0.14	0.21	0.3	0.55	95
AMD-S1	6.0	130	0.02	0.05	0.1	0.18	0.33	0.53	0.8	-	-	75
AMD-S2	6.0	260	0.01	0.025	0.05	0.09	0.17	0.27	0.4	-	-	75
AMD-S3	6.0	390	0.007	0.017	0.033	0.06	0.11	0.18	0.27	-	-	75
AMD-S4	6.0	520	0.005	0.005	0.025	0.045	0.083	0.13	0.2	-	-	75

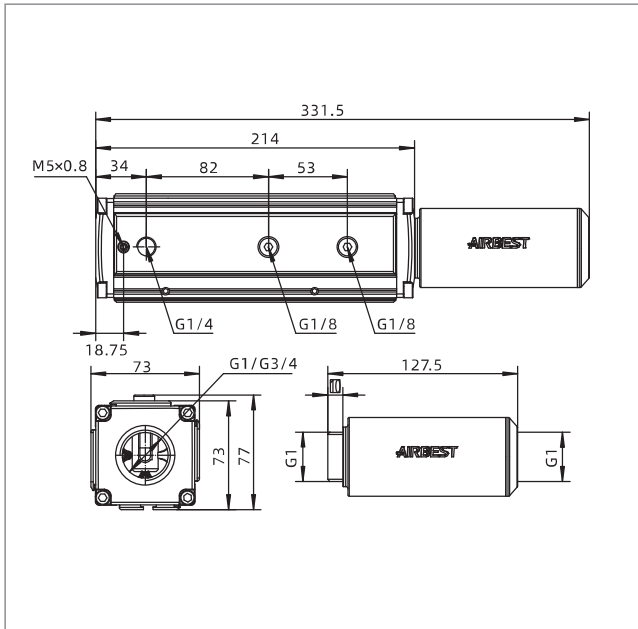


AMD Series

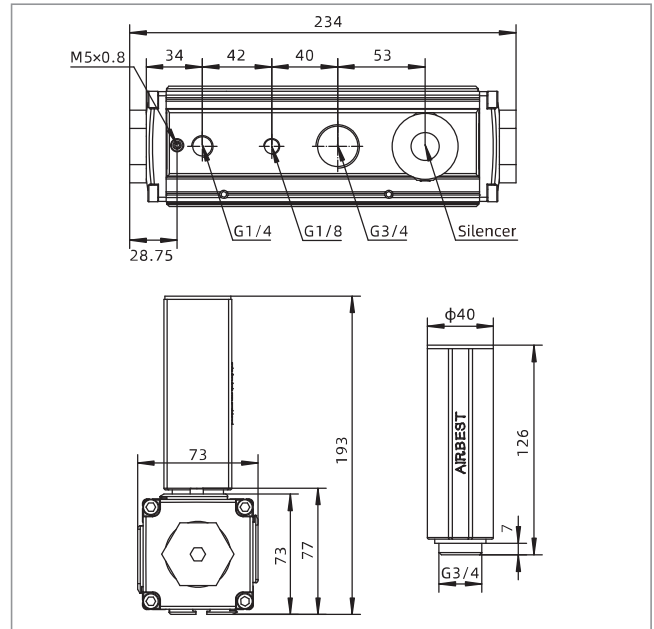
Large Flow Vacuum Generator



Dimensions(mm)

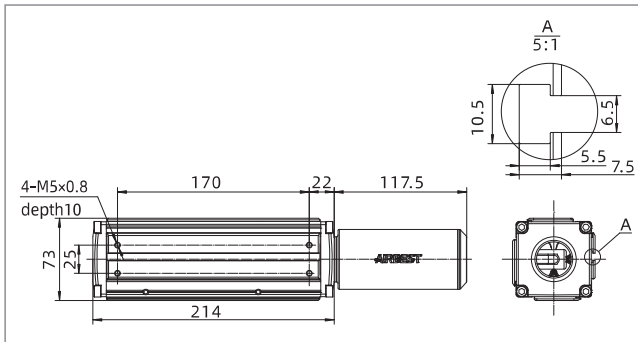


AMD-□-LG8-□ type (Straight exhaust)



AMD-□-LG6-□ type (Side exhaust)

Mounting dimensions(mm)



Vacuum Generator

AZK

AZX

AZD

AGS

AGB

AGP

AGX

AGE

ABM/ABX

ABM/ABX
Combined Type

AMC

AM/AL/AH

AM/AL
Combined Type

AMD

AZW

AZR

ABT

ABP

ABQ

AEVC

AZL

AZH

AZU

ACV

ASBP

ALS

ACP

ACPF

ACPS

APB