

APB Series

High Pressure Vacuum Blower



PACKAGING



WOOD



COMPOSITE MATERIAL

Features

- ◇ Extremely high suction capacity
- ◇ The housing and impeller are made of high strength die-casting aluminum alloy
- ◇ Available in various suction capacity

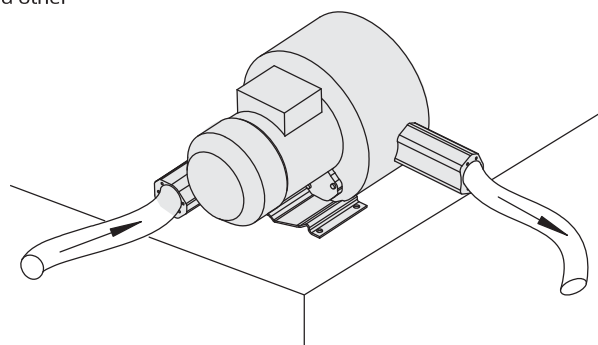
Advantages

- ◇ Fast and reliable handling of porous materials
- ◇ Low noise and high suction capacity
- ◇ It can be precisely selected according to the actual working conditions



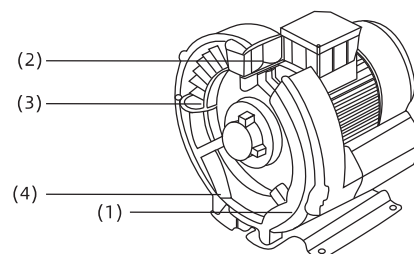
Applications

- ◇ Handling of cartons, wood, foam materials, heat insulating materials and other extremely porous materials
- ◇ Extremely high suction flow to compensate for leakage easily



Structure

- ◇ (1) Air supply port
- ◇ (2) Side channel
- ◇ (3) Impeller
- ◇ (4) Exhaust port



APB Series

High Pressure Vacuum Blower



How to order

APB - 420

① ②

② Series	① Specifications
APB	420
	520
	620
	720
	820
	920

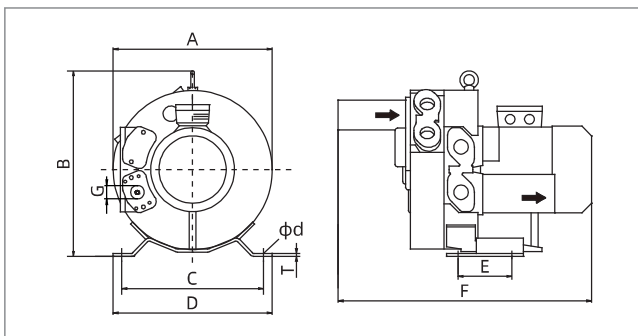
Selection

Model	Model
APB-420	APB-720
APB-520	APB-820
APB-620	APB-920

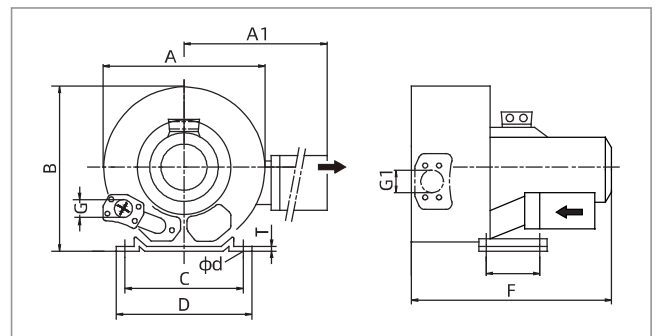
Technical parameters

Model	Motor (50HZ)			Max. flow m ³ /h	Max. vacuum level -kPa	Max. pressure mbar	Noise level dB(A)	Protection grade IP	Weight kg
	Rated power KW	Input voltage V	Rated current A						
APB-420	1.5	220-240△/345-415	7.5△/4.3Y	87	48	450	61	IP55	33
APB-520	2.2	220-240△/345-415	11.4△/6.6Y	120	47	460	64	IP55	40
APB-620	3.2	220-240△/345-415	13.0△/7.5Y	165	46	500	67	IP55	48
APB-720	5.5	345-415△/600-720	13.0△/7.7Y	320	44	500	73	IP55	66
APB-820	7.5	345-415△/600-720	13.3△/7.7Y	520	40	400	74	IP55	86
APB-920	16.5	345-415△/600-720	35.0△/20.0Y	1,110	41	370	74	IP55	197

Dimensions(mm)



APB-420~620



APB-720

Vacuum Generator

AZK

AZX

AZD

AGS

AGB

AGP

AGX

AGE

ABM/ABX

ABM/ABX
Combined Type

AMC

AM/AL/AH

AM/AL
Combined Type

AMD

AZW

AZR

ABT

ABP

ABQ

AEVC

AZL

AZH

AZU

ACV

ASBP

ALS

ACP

ACPF

ACPS

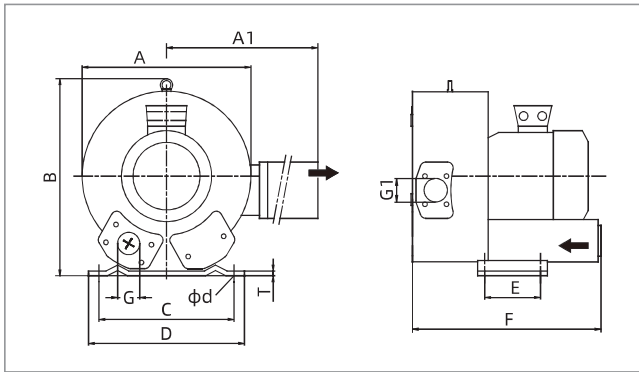
APB

APB Series

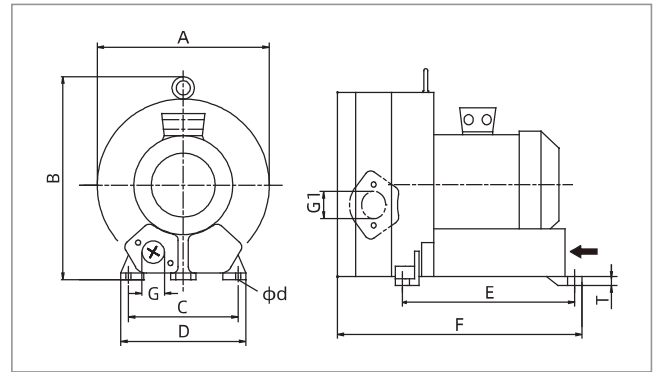
High Pressure Vacuum Blower



Dimensions(mm)



APB-820



APB-920

Model/Size	A	A1	B	C	D	ϕd	E	F	T	G	G1
APB-420	363	-	414	315	350	14	130	529	4	G1"1/4depth18	-
APB-520	387	-	435	328	363	14	130	549	5	G1"1/4depth18	-
APB-620	442	-	495	372	406	14	152	578	5	G1"1/4depth18	-
APB-720	426	426	410	290	325	15	140	571	4.5	$\phi 55$	-
APB-820	500	549	509	356	545	15	170	589	6	G2"1/2	-
APB-920	615	-	623	360	415	15	533	786	21	$\phi 100$	-

Safety Information

- ◇ Remarks: If this product has the following applications: logistics and transportation, consumer goods industry, agriculture, construction industry, comprehensive trade, etc. This type of equipment usually includes exposed parts. They are very dangerous since they are moving parts or rotating parts in many cases during working process. Unauthorized removal of protective covers, improper use, improper operation or insufficient maintenance may cause serious personal injury or equipment failure.
- ◇ The staff responsible for safety must ensure: Only qualified personnel can operate such equipment.
Qualified personnel are already fully familiar with the operation manual when operating these equipment and can operate according to the installation manual systematically.
Unqualified personnel are not allowed to operate such equipment.
- ◇ Qualified personnel: the personnel authorized by the person in charge of plant safety.
They complete a certain necessary work based on their own experience and training, knowledge of relevant standards, and ability to prevent accidents, while being aware of potential dangers and take necessary measures.
- ◇ DIN VDE 0105 or IGC 364 stipulates that unqualified personnel shall not be engaged in electrical equipment work.
Product manuals or catalogue cannot contain all the detailed information, especially it is impossible to cover every possible safety, operation and maintenance method. Therefore, these operating manuals only include the necessary information for qualified personnel to operate the equipment correctly. If the detailed parameters of the product are lacking, please contact us for more information.