



Special for Automotive Industry

- Vacuum Generators
- Suction Cups
- Mounting Parts



Vacuum Solutions Supplier

www.airbest.com

AIRBEST

Make Smart Go Together

Products Special for Automotive Industry

Overview



Vacuum Generators

01

AEVC Series

Vacuum Generator with Fast Blow-off

- ◇ Max.vacuum level: -85kPa
- ◇ Max.vacuum flow: 35NL/min



METAL SHEET AUTOMTIVE PACKAGING

04

ABP Series

Vacuum Generator with Fast Blow-off

- ◇ Max.vacuum level: -81kPa
- ◇ Max.vacuum flow: 38NL/min



METAL SHEET

06

ABQ Series

Vacuum Generator with Fast Blow-off

- ◇ Max.vacuum level: -81kPa
- ◇ Max.vacuum flow: 38NL/min



METAL SHEET

Suction Cups

08

SBF Series

1.5 Bellows Suction Cup
Special for Metal Sheet

- ◇ Diameter: 30-100mm
- ◇ Material: U



METAL SHEET CURVED SURFACE OILY SURFACE LONG LIFETIME

RoHS

11

SFM Series

Flat Suction Cup
Special for Oily Metal Sheet

- ◇ Diameter: 30-120mm
- ◇ Material: U



METAL SHEET CURVED SURFACE OILY SURFACE LONG LIFETIME

RoHS

15

STC Series

1.5 Bellows Suction Cup
Special for Metal Sheet

- ◇ Diameter: 22-125mm
- ◇ Material: N



METAL SHEET SLIPPING RESISTANCE OILY SURFACE

RoHS

19

SFF Series

Flat Suction Cup
Special for Metal Sheet

- ◇ Diameter: 30-125mm
- ◇ Material: N NG



METAL SHEET SLIPPING RESISTANCE OILY SURFACE

RoHS

23

SOB Series

Oval Bellows Suction Cup
Special for Metal Sheet

- ◇ Size: 30×60-70×140mm
- ◇ Material: N



METAL SHEET LONG AND NARROW OBJECT SLIPPING RESISTANCE OILY SURFACE

RoHS

26

SOF Series

Oval Flat Suction Cup
Special for Metal Sheet

- ◇ Size: 16×50-70×140mm
- ◇ Material: N NG



METAL SHEET LONG AND NARROW OBJECT SLIPPING RESISTANCE OILY SURFACE

RoHS

Products Special for Automotive Industry

Overview





Suction Cups

30 SBA Series (RoHS)

1.5 Bellows Suction Cup

- ◇ Diameter: $\phi 6$ - $\phi 78$ mm
- ◇ Material: N WS HD NR






UNIVERSAL AUTOMOTIVE

35 SOM Series (RoHS)

Oval Flat Suction Cup Special for Long and Narrow Objects

- ◇ Size: 20×60-40×100mm
- ◇ Material: U






METAL SHEET SLIPPING RESISTANCE OILY SURFACE CURVED SURFACE

38 SDM Series (RoHS)

Flat Suction Cup Special for Metal Sheet

- ◇ Diameter: 100mm
- ◇ Material: U






METAL SHEET SLIPPING RESISTANCE OILY SURFACE

40 SFK Series (RoHS)

Flat Suction Cup Special for Rough Surface Objects

- ◇ Diameter: 110-250mm
- ◇ Material: E



WOOD METAL SHEET GLASS

Mounting Parts

43 PSPT Series (RoHS)

Universal Level Compensator

- ◇ Buffer stroke: 10-110mm
- ◇ Connection thread: G1/8 G1/4 G3/8






UNIVERSAL AUTOMOTIVE

47 PSPH Series (RoHS)

Heavy-duty Type Level Compensator

- ◇ Buffer stroke: 25-90mm
- ◇ Connection thread: G1/8 G1/4 G3/8






UNIVERSAL AUTOMOTIVE

50 PSPD Series (RoHS)

Double Springs Heavy-duty Type Level Compensator

- ◇ Buffer stroke: 25-90mm
- ◇ Connection thread: G1/8 G1/2 G3/8

UNIVERSAL AUTOMOTIVE

AEVC Series

Vacuum Generator with Fast Blow-off



METAL SHEET



PACKAGING



AUTOMOTIVE

Features

- ◇ Fast suction and blow-off
- ◇ Main body is made of plastic
- ◇ Suitable mounting bracket
- ◇ With built-in silencer

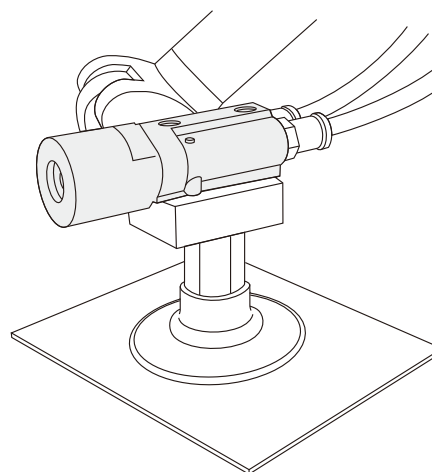
Advantages

- ◇ Short action cycle
- ◇ Small size, light weight, especially suitable for high speed working
- ◇ Could be fixed with suction cup and connector directly
- ◇ Reduce noise greatly



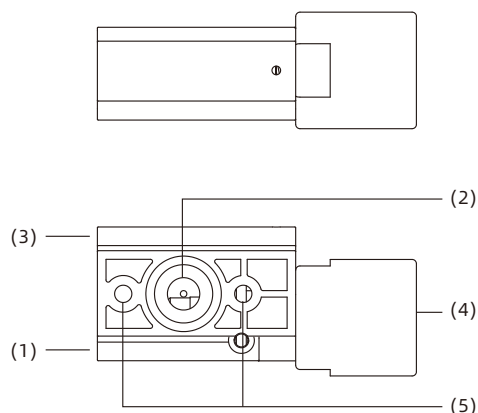
Applications

- ◇ Suitable for occasions where need blow-off function and short working cycle, such as metal sheet processing, automotive industry, packaging machine and industrial robot



Structure

- ◇ (1) Air supply port
- ◇ (2) Vacuum port
- ◇ (3) Release port
- ◇ (4) Silencer
- ◇ (5) Mounting hole



How to order

AEVC 10 - S - G2F
① ② ③ ④

① Series	② Nozzle diameter	③ Mounting type	④ Mounting thread
AEVC	10 - ϕ 1.0mm	Nil - Without mounting block S - Vertical mounting block L - Lateral mounting block B - Oval vertical mounting block	Nil - Without thread G1F - G1/8 female thread G2F - G1/4 female thread

Selection

Model/Mounting type Nil - Without mounting block	S - Vertical mounting block	L - Lateral mounting block	B - Oval vertical mounting block
AEVC10	AEVC10-S-G2F	AEVC10-L-G2F	AEVC10-B-G1F AEVC10-B-G2F

Technical parameters

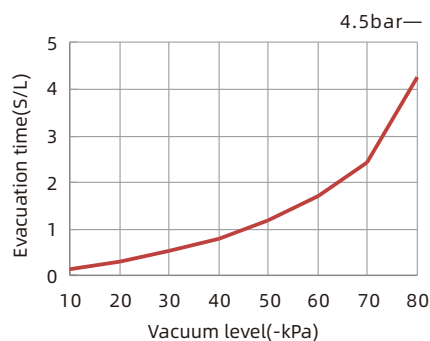
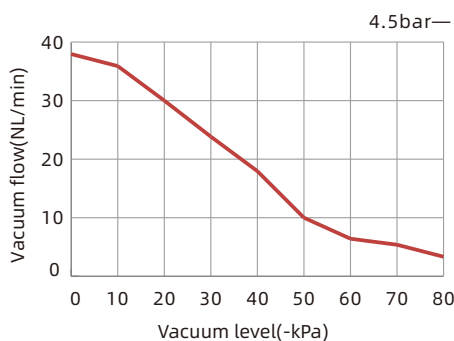
Model	Rated air supply pressure bar	Max. vacuum level -kPa	Max.vacuum flow NL/min	Air consumption NL/min	Noise level dB(A)	Weight g
AEVC10	4.5	85	35	48.5	73.5	64

Vacuum flow(NL/min) at different vacuum levels(-kPa)

Model	Air supply pressure bar	Air consumption NL/min	0	10	20	30	40	50	60	70	80	Max. vacuum level -kPa
AEVC10	4.5	48.5	35.0	32.0	30.0	24.0	18.0	10.0	6.5	5.5	3.3	85

Evacuation time(s/L) to reach different vacuum levels(-kPa)

Model	Air supply pressure bar	Air consumption NL/min	10	20	30	40	50	60	70	80	Max. vacuum level -kPa
AEVC10	4.5	48.5	0.14	0.30	0.54	0.81	1.19	1.70	2.42	4.27	85

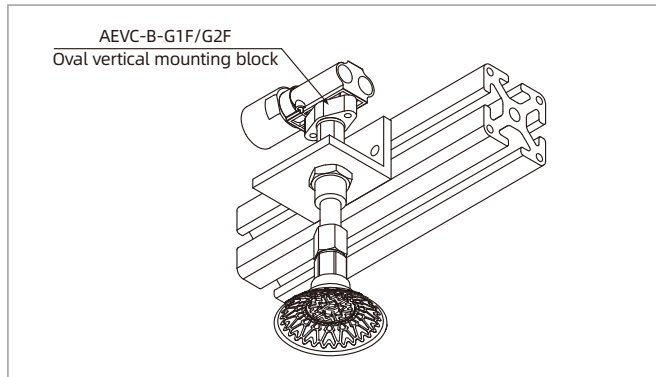
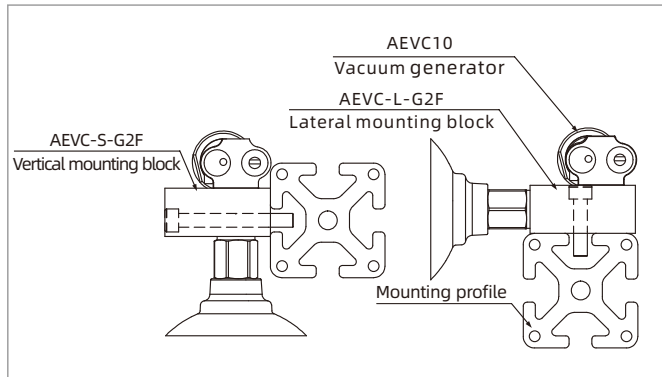


AEVC Series

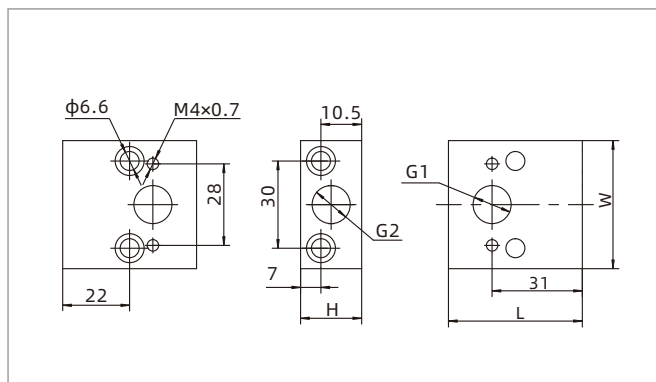
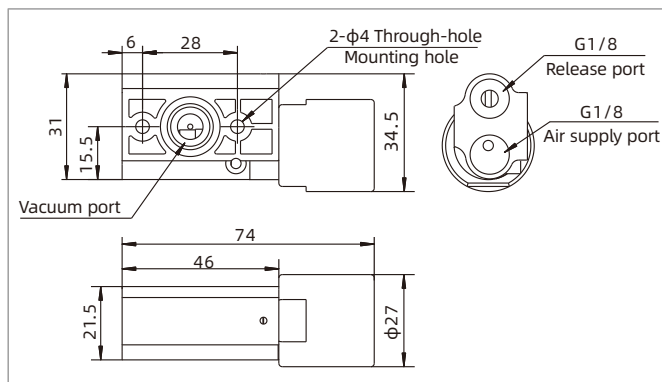
Vacuum Generator with Fast Blow-off



Installation instruction

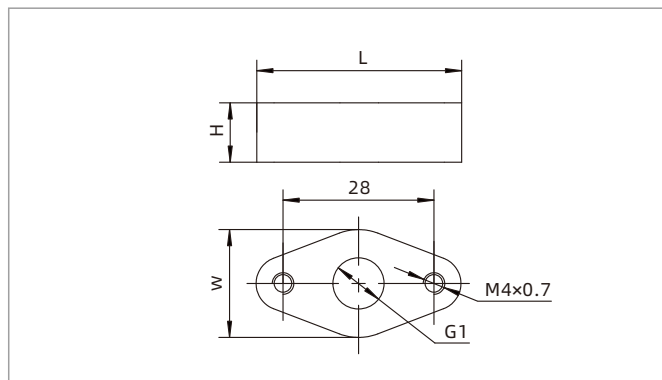


Dimensions(mm)



AEVC10

AEVC-S-G2F AEVC-L-G2F



AEVC-B-G1F AEVC-B-G2F

Model/Size	L	W	H	G1	G2
AEVC-L-G2F	46	44	21	G1/4	-
AEVC-S-G2F	46	44	21	-	G1/4
AEVC-B-G1F	38	20	11	G1/8	-
AEVC-B-G2F	38	20	11	G1/4	-

Accessory Selection

Item	Model
S type Vertical mounting block-G1/4	AEVC-S-G2F
L type Vertical mounting block-G1/4	AEVC-L-G2F

Item	Model
B type Oval vertical mounting block-G1/8	AEVC-B-G1F
B type Oval vertical mounting block-G1/4	AEVC-B-G2F

ABP Series

Vacuum Generator with Fast Blow-off



UNIVERSAL

Features

- ◇ Axial connection
- ◇ Plastic housing, compact size, light weight
- ◇ Connect plug-in fitting directly
- ◇ Optimal direct lateral exhaust design
- ◇ Built-in fast breaking device, no need of external drive

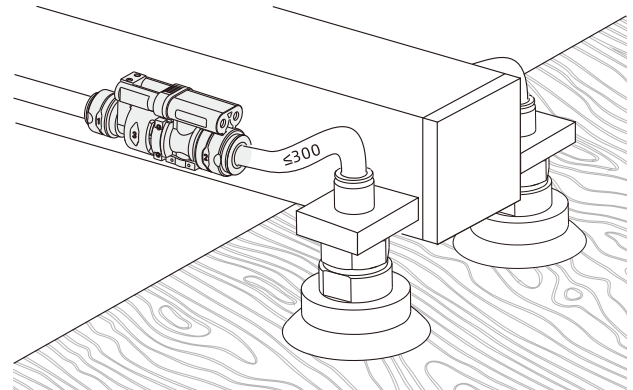
Advantages

- ◇ Connect hose directly
- ◇ Suitable for installing in narrow space
- ◇ Easy to mount, there is no need to add extra mounting accessories
- ◇ Reduce product noise most
- ◇ Release product fast



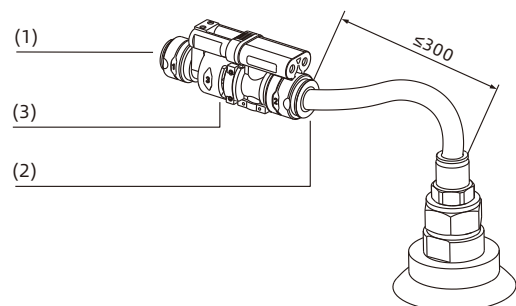
Applications

- ◇ The linear vacuum generator can be connected with the PU hose directly
- ◇ Suitable for the handling systems with limited space
- ◇ Suitable for occasions where there is no need of external drive and can automatically release workpiece fast
- ◇ Suitable for occasions where need to grip and release workpieces fastly, and there is requirement for light weight of whole equipment, etc.



Structure

- ◇ (1) Air supply port
- ◇ (2) Vacuum port
- ◇ (3) Exhaust port



Vacuum Generator

Suction Cup

Special Vacuum Gripper

Vacuum Gripper

Mounting Parts

Vacuum Accessories

ABP Series



Vacuum Generator with Fast Blow-off

How to order

ABP - 10

① ②

① Series	② Specification
ABP	10

Technical parameters

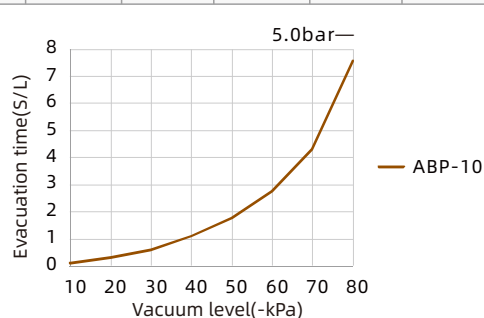
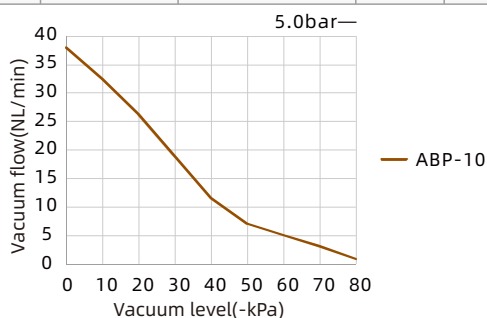
Model	Air supply pressure range bar	Rated air supply pressure bar	Max. vacuum level -kPa	Max. vacuum flow NL/min	Air consumption NL/min	Noise level dB(A)	Working temperature °C	Weight g	Recommended hose dia.(mm) Air supply port P	Vacuum port V
ABP-10	4.0~7.0	5.0	81	38	38	70	0~60	34	φ8	φ10

Vacuum flow(NL/min) at different vacuum levels(-kPa)

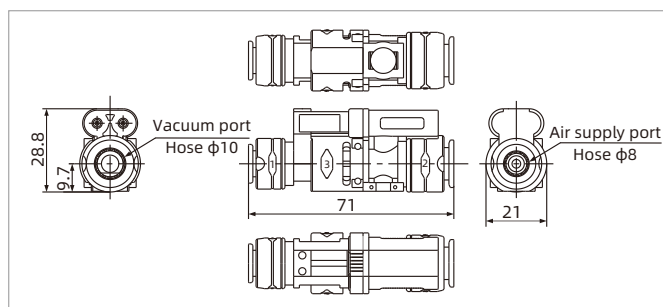
Model	Air supply pressure bar	Air consumption NL/min	0	10	20	30	40	50	60	70	80	Max. vacuum level -kPa
ABP-10	5.0	38	38.0	32.4	26.3	18.9	11.5	7.1	5.0	3.2	0.8	81

Evacuation time(s/L) to reach different vacuum levels(-kPa)

Model	Air supply pressure bar	Air consumption NL/min	10	20	30	40	50	60	70	80	Max. vacuum level -kPa
ABP-10	5.0	38	0.12	0.32	0.61	1.08	1.76	2.73	4.29	7.58	81

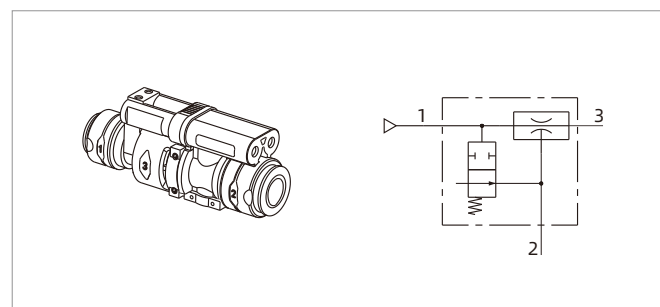


Dimensions(mm)



ABP-10

ABP-10 Air circuit schematic diagram



ABP-10

Note: 1. Air supply port, 2. Vacuum port, 3. Exhaust port

ABQ Series

Vacuum Generator with Fast Blow-off



UNIVERSAL

Features

- ◇ Plastic housing, compact size and light weight
- ◇ Connect plug-in fitting directly
- ◇ Optimal direct lateral exhaust design
- ◇ Built-in fast blow-off device

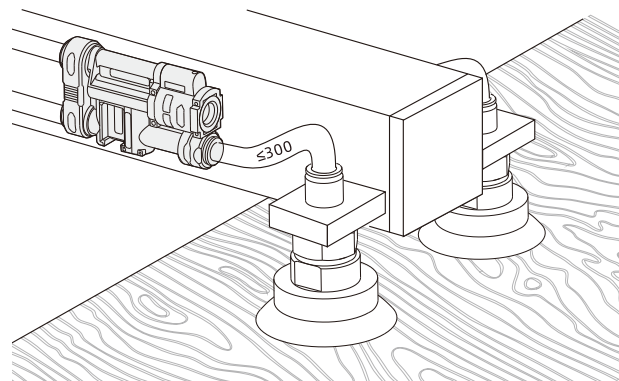
Advantages

- ◇ Suitable for installing in narrow space
- ◇ Easy installation, no need extra mounting accessory
- ◇ Minimize product noise
- ◇ Safe and reliable with fast blow-off system



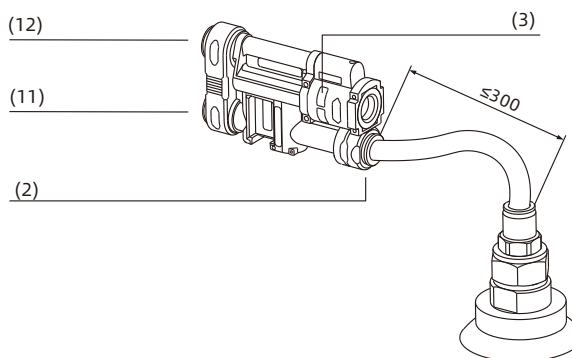
Applications

- ◇ Suitable for handling system with limited space
- ◇ Suitable for occasions where require safe and quick release of the workpieces
- ◇ Suitable for occasions where need to grip and release workpieces fastly, and there is requirement for light weight of whole equipment, etc.



Structure

- ◇ (11) Air supply port
- ◇ (12) Vacuum release port
- ◇ (2) Vacuum port
- ◇ (3) Exhaust port



Vacuum Generator

Suction Cup

Special Vacuum Gripper

Vacuum Gripper

Mounting Parts

Vacuum Accessories

ABQ Series



Vacuum Generator with Fast Blow-off

How to order

ABQ - 08

① ②

① Series	② Specification
ABQ	08

Technical parameters

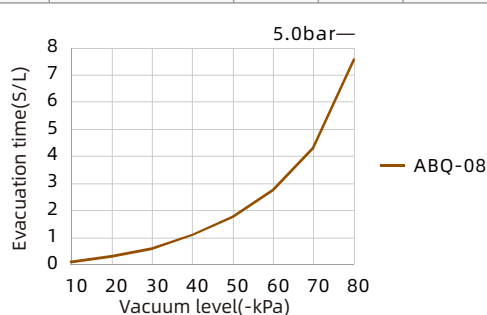
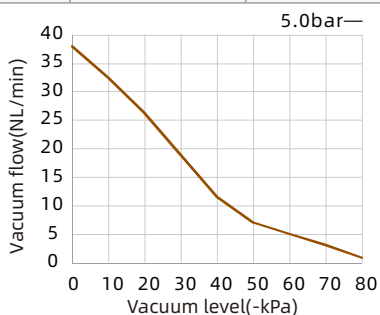
Model	Air supply pressure range bar	Rated air supply pressure bar	Max. vacuum level -kPa	Max. vacuum flow NL/min	Air consumption NL/min	Noise level dB(A)	Working temperature °C	Weight g	Recommended hose dia.(mm)	
									Air supply port	Vacuum port
ABQ-08	4.0~7.0	5.0	81	38	38	70	0~60	55	φ8	φ8

Vacuum flow(NL/min) at different vacuum levels(-kPa)

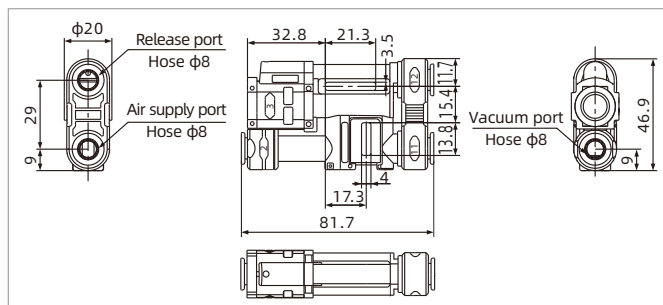
Model	Air supply pressure range bar	Air consumption NL/min	0	10	20	30	40	50	60	70	80	Max. vacuum level -kPa
			ABQ-08	5.0	38	38.0	32.4	26.3	18.9	11.5	7.1	

Evacuation time(s/L) to reach different vacuum levels(-kPa)

Model	Air supply pressure range bar	Air consumption NL/min	10	20	30	40	50	60	70	80	Max. vacuum level -kPa
			ABQ-08	5.0	38	0.12	0.32	0.61	1.08	1.76	

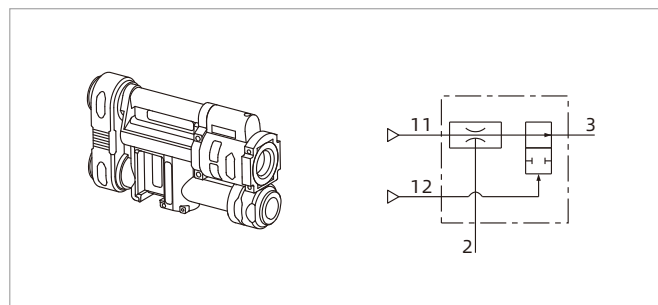


Dimensions(mm)



ABQ-08

ABQ-08 Air circuit schematic diagram



ABQ-08 Note: 11. Air supply port, 12. Release port, 3. Exhaust port, 2: Vacuum port

SBF Series



1.5 Bellows Suction Cup Special for Metal Sheet



METAL SHEET



SLIPPING RESISTANCE



OILY SURFACE



LONG LIFETIME



Features

- ◇ 1.5 Bellows
- ◇ PU material
- ◇ Internal large area support structure
- ◇ Various sizes for option

Advantages

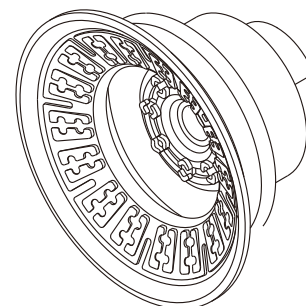
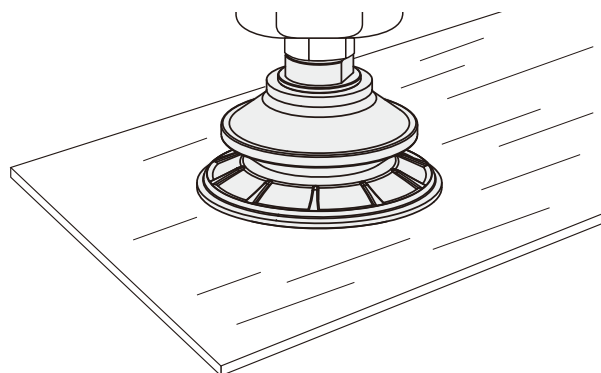
- ◇ Easy to fit uneven surface of workpiece, and has buffer effect
- ◇ Excellent wear resistance and oil resistance, long lifetime
- ◇ Effectively increase the friction force between suction cups and workpieces
- ◇ Suitable for workpieces with different sizes and shapes

Applications

- ◇ Handling metal sheet in high speed, short cycle time
- ◇ Handling metal sheet and aluminum plate without deformation
- ◇ Special pattern slot design of suction cup prevents from slipping during handling oily sheet metal, ensuring accurate positioning
- ◇ Used in automotive stamping metal parts handling system

Structure

- ◇ 1.5 Bellows, large compressed stroke
- ◇ Suction cup and fitting are one-piece structure design



Vacuum Generator

Suction Cup

Special Vacuum Gripper

Vacuum Gripper

Mounting Parts

Vacuum Accessories

1.5 Bellows Suction Cup Special for Metal Sheet

How to order

SBF 50 U - G3F

① ② ③ ④

① Series	② Diameter	③ Material & Hardness	④ Connection thread	
SBF	30 - ϕ 32mm	U - PU	70	G2F - G1/4 female thread
	40 - ϕ 42mm			G3F - G3/8 female thread
	50 - ϕ 51.5mm			G2M - G1/4 male thread
	60 - ϕ 64mm			M10M - M10 \times 1.5 male thread
	80 - ϕ 84mm			RA - Rectangular adapter
	100 - ϕ 103mm			

Selection - Model(Connection thread)

Model	Connection thread G2M	M10M	G2F	G3F	RA - Rectangular adapter
SBF30U-□	SBF30U-G2M	SBF30U-M10M	SBF30U-G2F	SBF30U-G3F	SBF30U-RA
SBF40U-□	SBF40U-G2M	SBF40U-M10M	SBF40U-G2F	SBF40U-G3F	SBF40U-RA
SBF50U-□	SBF50U-G2M	SBF50U-M10M	SBF50U-G2F	SBF50U-G3F	SBF50U-RA
SBF60U-□	SBF60U-G2M	SBF60U-M10M	SBF60U-G2F	SBF60U-G3F	SBF60U-RA
SBF80U-□	SBF80U-G2M	SBF80U-M10M	SBF80U-G2F	SBF80U-G3F	SBF80U-RA
SBF100U-□	SBF100U-G2M	SBF100U-M10M	SBF100U-G2F	SBF100U-G3F	SBF100U-RA

Technical parameters

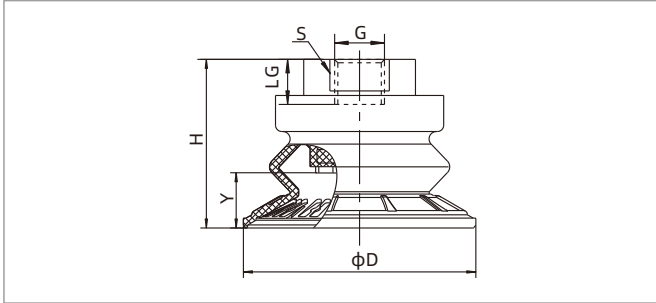
Model	Pull-out force N	Inner volume cm ³	Min.curve radius of workpiece mm	Weight g	Recommended hose dia. mm	MPQ pcs
SBF30	33	5.5	30	18.5	6	1
SBF40	60	7.0	45	20.0	6	1
SBF50	103	11.5	50	40.0	8	1
SBF60	145	22.0	55	45.0	8	1
SBF80	235	60.0	72	75.0	10	1
SBF100	380	98.0	97	118.0	10	1

◇ Note: Testing vacuum level -60kPa, workpiece with smooth and clean surface. The data of pull-out force as above are figured out without considering safety factor. The data may be different according to different workpiece surfaces.

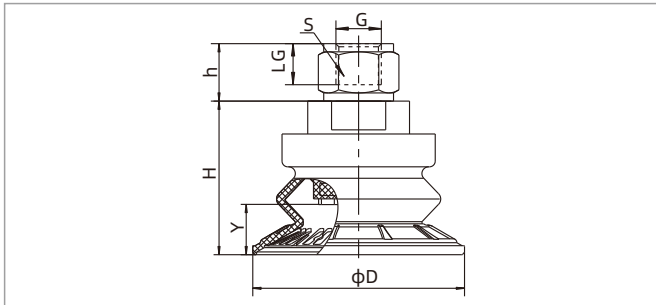
SBF Series

1.5 Bellows Suction Cup Special for Metal Sheet

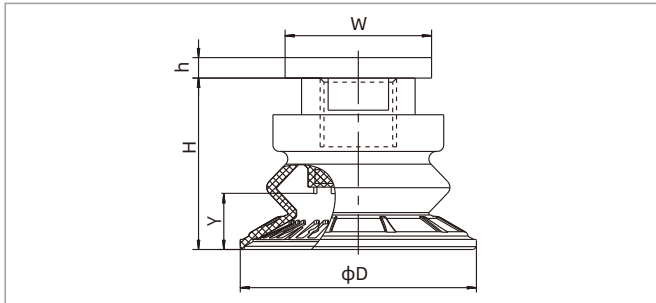
Dimensions(mm)



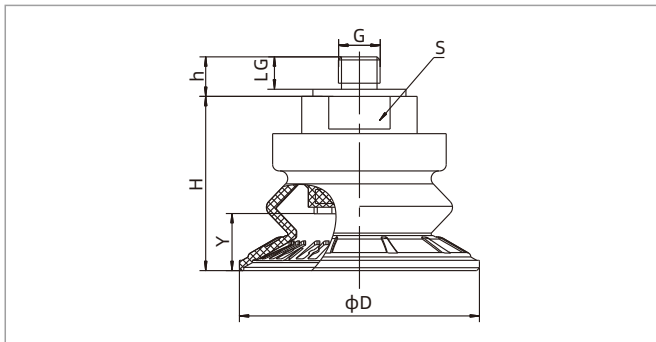
F - Female thread connection



F - Female thread connection



RA - Rectangular adapter



M - Male thread connection

Model/Size	D	H	G	LG	S	Y
SBF30U-G2F	32	28	G1/4	10	17	7
SBF40U-G2F	42	29	G1/4	10	17	9
SBF50U-G3F	51.5	37	G3/8	13	21	12.5
SBF60U-G3F	64	41.5	G3/8	13	21	15
SBF80U-G3F	84	49.5	G3/8	13	21	23
SBF100U-G3F	103	55	G3/8	13	22	22

Model/Size	D	H	G	h	LG	S	Y
SBF30U-G3F	32	28	G3/8	14	11	22	7
SBF40U-G3F	42	29	G3/8	14	11	22	9
SBF50U-G2F	51.5	37	G1/4	14	11	22	12.5
SBF60U-G2F	64	41.5	G1/4	14	11	22	15
SBF80U-G2F	84	49.5	G1/4	14	11	22	23
SBF100U-G2F	103	55	G1/4	14	11	22	22

Model/Size	D	H	W	h	Y
SBF30U-RA	32	28	31.8×31.8	4.7	7
SBF40U-RA	42	29	31.8×31.8	4.7	9
SBF50U-RA	51.5	37	31.8×31.8	4.7	12.5
SBF60U-RA	64	41.5	31.8×31.8	4.7	15
SBF80U-RA	84	49.5	31.8×31.8	4.7	23
SBF100U-RA	103	55	31.8×31.8	4.7	22

Model/Size	D	H	G	h	LG	S	Y
SBF30U-G2M	32	28	G1/4	11	9	17	7
SBF30U-M10M	32	28	M10×1.5	13.5	12	17	7
SBF40U-G2M	42	29	G1/4	11	9	17	9
SBF40U-M10M	42	29	M10×1.5	13.5	12	17	9
SBF50U-G2M	51.5	37	G1/4	11	9	21	12.5
SBF50U-M10M	51.5	37	M10×1.5	13.5	12	21	12.5
SBF60U-G2M	64	41.5	G1/4	11	9	21	15
SBF60U-M10M	64	41.5	M10×1.5	13.5	12	21	15
SBF80U-G2M	84	49.5	G1/4	11	9	21	23
SBF80U-M10M	84	49.5	M10×1.5	13.5	12	21	23
SBF100U-G2M	103	55	G1/4	11	9	22	22
SBF100U-M10M	103	55	M10×1.5	13.5	12	22	22

◇ Note: The dimensional tolerance conforms to GBT3672.1-2002-1 M3 rubber product dimensional tolerance standard

SFM Series

Flat Suction Cup Special for Oily Metal Sheet



Features

- ◇ Large compressed stroke, good flexibility
- ◇ PU material
- ◇ Internal large area support structure
- ◇ Various sizes are available

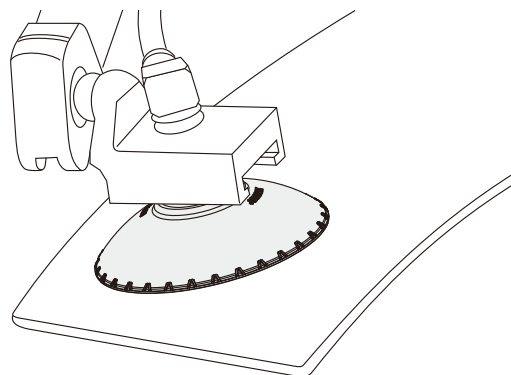
Advantages

- ◇ Easy to fit workpieces with different shapes of surfaces
- ◇ Long lifetime, and wear resistance, ozone resistance and oil resistance are excellent
- ◇ Effectively enhance friction force between suction cups and workpieces
- ◇ Suitable for workpieces with different sizes and shapes



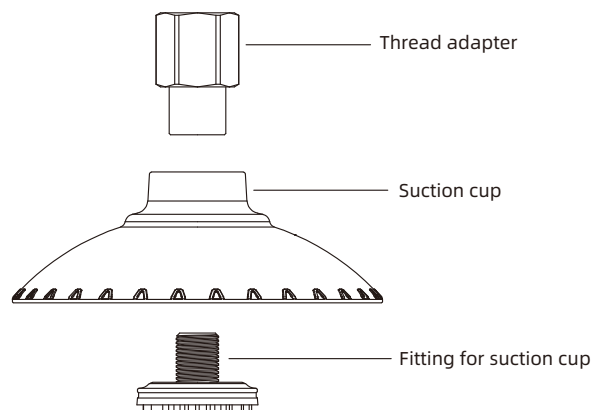
Applications

- ◇ Handling of oily metal sheet
- ◇ Handling curved metal sheet
- ◇ Handling automotive stamping metal parts



Structure

- ◇ Split structure design, wearing parts can be replaced separately



SFM Series

Flat Suction Cup Special for Oily Metal Sheet

How to order

SFM 50 U - G3F

① ② ③ ④

① Series	② Diameter	③ Material & Hardness	④ Connection thread
SFM	30 - ϕ 30mm	U - PU	70
	40 - ϕ 40mm		
	50 - ϕ 50mm		
	60 - ϕ 60mm		
	80 - ϕ 80mm		
	100 - ϕ 100mm		
	120 - ϕ 120mm		
			Nil - Suction cup only G1F - G1/8 female thread G2F - G1/4 female thread G3F - G3/8 female thread G2M - G1/4 male thread M10M - M10×1.5 male thread M14M - M14×1.5 male thread RA - Rectangular adapter

Selection

Model	Connection thread						
	G2M	M10M	M14M	G1F	G2F	G3F	RA
SFM30U	-	SFM30U-M10M	-	SFM30U-G1F	-	-	SFM30U-RA
SFM40U	-	SFM40U-M10M	-	SFM40U-G1F	-	-	SFM40U-RA
SFM50U	SFM50U-G2M	SFM50U-M10M	SFM50U-M14M	-	SFM50U-G2F	SFM50U-G3F	SFM50U-RA
SFM60U	SFM60U-G2M	SFM60U-M10M	SFM60U-M14M	-	SFM60U-G2F	SFM60U-G3F	SFM60U-RA
SFM80U	SFM80U-G2M	SFM80U-M10M	SFM80U-M14M	-	SFM80U-G2F	SFM80U-G3F	SFM80U-RA
SFM100U	SFM100U-G2M	SFM100U-M10M	SFM100U-M14M	-	SFM100U-G2F	SFM100U-G3F	SFM100U-RA
SFM120U	SFM120U-G2M	SFM120U-M10M	SFM120U-M14M	-	SFM120U-G2F	SFM120U-G3F	SFM120U-RA

Technical parameters

Model	Pull-out force N	Inner volume cm ³	Min.curve radius of workpiece mm	Weight g	Recommended hose dia. mm	MPQ pcs
SFM30	45	4.5	25	3.5	6	1
SFM40	70	8.5	30	5.0	6	1
SFM50	112	18.6	35	8.5	8	1
SFM60	150	26	40	11	8	1
SFM80	285	56	60	21	8	1
SFM100	420	105	70	35	10	1
SFM120	580	153	90	55	10	1

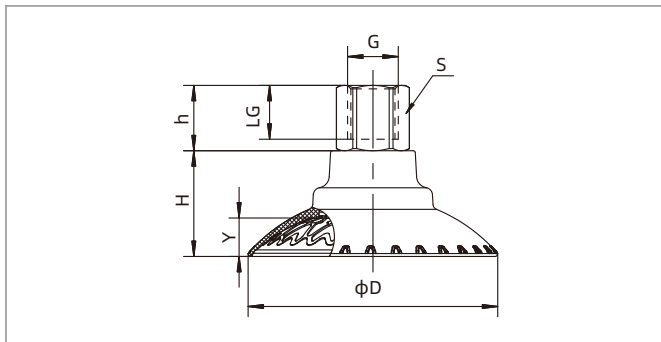
◇ Note: Testing vacuum level -60kPa, workpiece with smooth and clean surface. The data of pull-out force as above are figured out without considering safety factor. The data may be different according to different workpiece surfaces.

SFM Series

Flat Suction Cup Special for Oily Metal Sheet

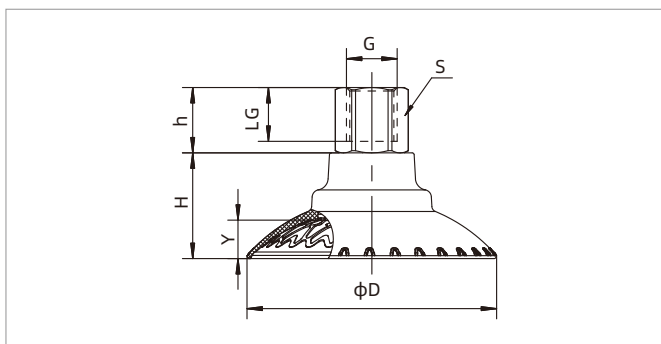


Dimensions(mm)



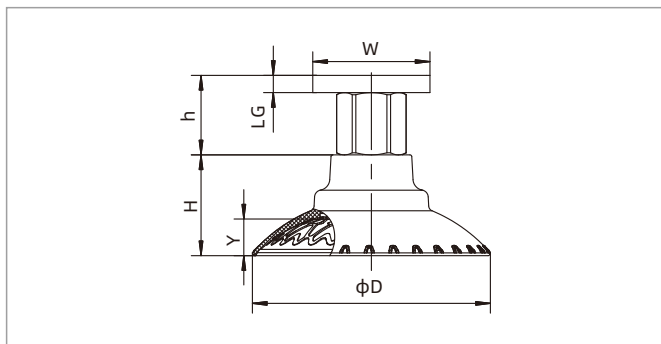
Model/Size	D	H	G	h	LG	S	Y
SFM30U-G1F	34	17.5	G1/8	14	10	14	4
SFM40U-G1F	43.5	20	G1/8	14	10	14	6.3
SFM50U-G2F	55	25	G1/4	17	12	17	7.8
SFM60U-G2F	65	27.5	G1/4	17	12	17	10
SFM80U-G2F	85	30	G1/4	17	12	17	13
SFM100U-G2F	105.5	37	G1/4	17	12	17	15.5
SFM120U-G2F	123	41	G1/4	17	12	17	18.5

F - Female thread connection



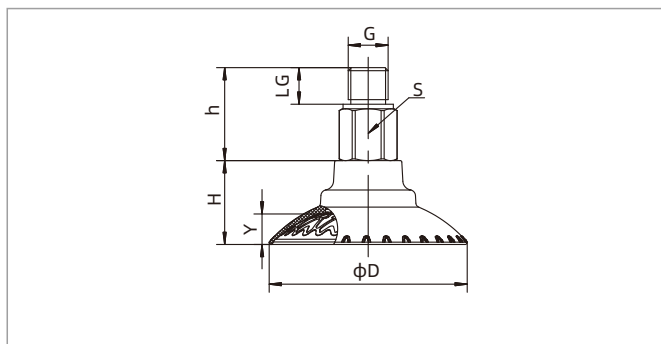
Model/Size	D	H	G	h	LG	S	Y
SFM50U-G3F	55	25	G3/8	17	12	22	7.8
SFM60U-G3F	65	27.5	G3/8	17	12	22	10
SFM80U-G3F	85	30	G3/8	17	12	22	13
SFM100U-G3F	105.5	37	G3/8	17	12	22	15.5
SFM120U-G3F	123	41	G3/8	17	12	22	18.5

F - Female thread connection



Model/Size	D	H	w	h	LG	Y
SFM30U-RA	34	17.5	31.8x31.8	21.7	4.7	4
SFM40U-RA	43.5	20	31.8x31.8	21.7	4.7	6.3
SFM50U-RA	55	25	31.8x31.8	21.7	4.7	7.8
SFM60U-RA	65	27.5	31.8x31.8	21.7	4.7	10
SFM80U-RA	85	30	31.8x31.8	21.7	4.7	13
SFM100U-RA	105.5	37	31.8x31.8	21.7	4.7	15.5
SFM120U-RA	123	41	31.8x31.8	21.7	4.7	18.5

RA - Rectangular adapter



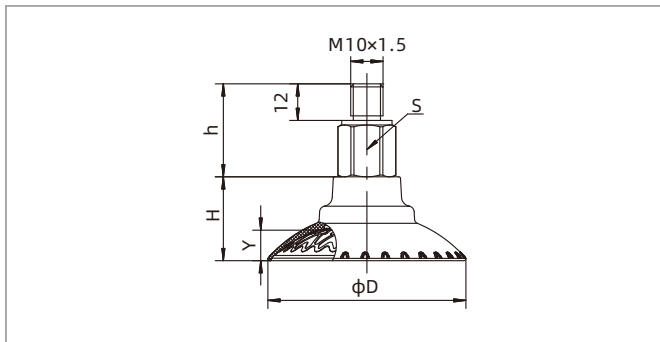
Model/Size	D	H	G	h	LG	S	Y
SFM50U-G2M	55	25	G1/4	28	9	17	7.8
SFM60U-G2M	65	27.5	G1/4	28	9	17	10
SFM80U-G2M	85	30	G1/4	28	9	17	13
SFM100U-G2M	105.5	37	G1/4	28	9	17	15.5
SFM120U-G2M	123	41	G1/4	28	9	17	18.5

M - Male thread connection

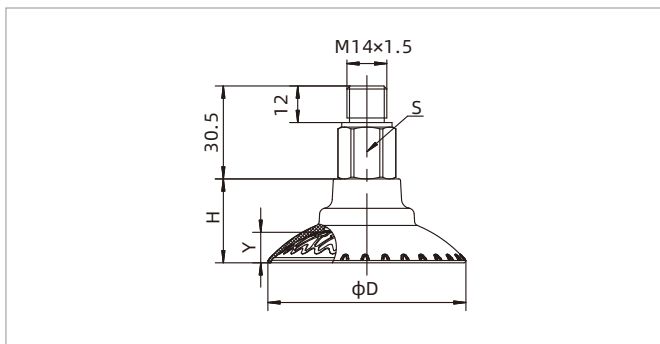
SFM Series

Flat Suction Cup Special for Oily Metal Sheet

Dimensions(mm)



M - Male thread connection



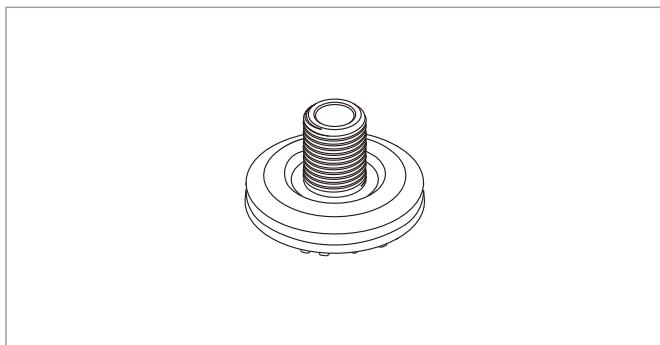
M - Male thread connection

◇ Note: The dimensional tolerance conforms to GBT3672.1-2002-1 M3 rubber product dimensional tolerance standard

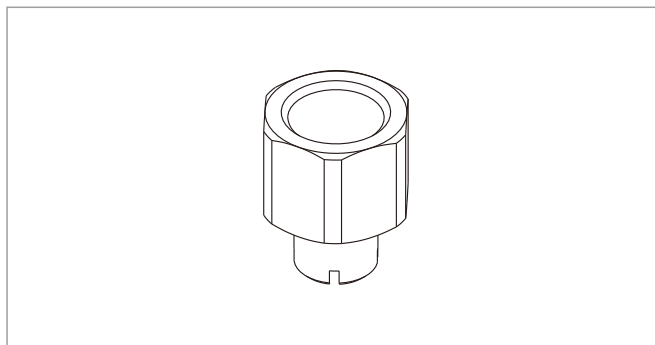
Model/Size	D	H	h	S	Y
SFM30U-M10M	34	17.5	27.5	14	4
SFM40U-M10M	43.5	20	27.5	14	6.3
SFM50U-M10M	55	25	30.5	17	7.8
SFM60U-M10M	65	27.5	30.5	17	10
SFM80U-M10M	85	30	30.5	17	13
SFM100U-M10M	105.5	37	30.5	17	15.5
SFM120U-M10M	123	41	30.5	17	18.5

Model/Size	D	H	h	S	Y
SFM50U-M14M	55	25	30.5	17	7.8
SFM60U-M14M	65	27.5	30.5	17	10
SFM80U-M14M	85	30	30.5	17	13
SFM100U-M14M	105.5	37	30.5	17	15.5
SFM120U-M14M	123	41	30.5	17	18.5

Mounting parts



PJS - Fitting for suction cup



PJT - Thread adapter

Item	Model	Applicable suction cup
Fitting for suction cup	PJS-M8M-SFM40	SFM30,40
	PJS-G1M-SFM80	SFM50,60,80
	PJS-G1M-SFM120	SFM100,120
Thread adapter	PJT-M8F-G1F	SFM30,40
	PJT-G1F-G2F	SFM50,60,80,100,120
	PJT-G1F-G3F	SFM50,60,80,100,120

STC Series

1.5 Bellows Suction Cup Special for Metal Sheet



Features

- ◇ 1.5 Bellows structure
- ◇ Internal large area pattern support structure
- ◇ Various sizes and specifications are available

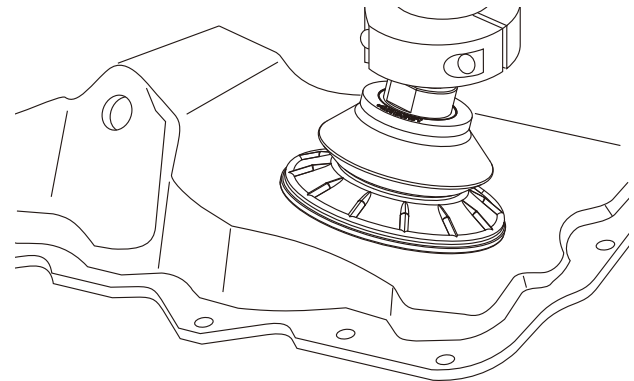
Advantages

- ◇ Easy to fit the uneven surface of workpiece, and has buffer effect
- ◇ Effectively enhance friction force between suction cups and workpieces
- ◇ The max. temp of HK material is 250°C, it can be used to pick up high temp metal sheet
- ◇ The max. temp of HD material is 160°C, it can be used to pick up high temp glass without mark
- ◇ Suitable for workpieces with different sizes and shapes



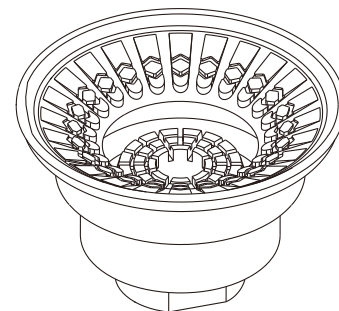
Applications

- ◇ Suitable for fast handling of metal plates, short cycle time
- ◇ Handling metal sheet and aluminum plates without deformation
- ◇ The internal special pattern groove design prevents the oily sheet metal from slipping during handling
- ◇ Used in automotive stamping metal parts handling system



Structure

- ◇ 1.5 Bellows structure, large compressed stroke
- ◇ Suction cup and fitting are one-piece structure design



STC Series

1.5 Bellows Suction Cup Special for Metal Sheet

How to order

STC 50 N - G3F

① ② ③ ④

① Series	② Diameter	③ Material & Hardness	④ Connection thread
STC	22 - φ22mm	N - NBR	60 G2F - G1/4 female thread
	30 - φ30mm	HK - Extra high temp rubber	65 G3F - G3/8 female thread
	40 - φ40mm	HD - High temp/mark free material	60 G2M - G1/4 male thread
	50 - φ50mm		M10M - M10×1.5 male thread
	60 - φ60mm		M14M - M14×1.5 male thread
	80 - φ80mm		RA - Rectangular adapter
	100 - φ100mm		
	125 - φ125mm		

Selection

Model	Connection thread					
	G2M	M10M	M14M	G2F	G3F	RA
STC22N-□	STC22N-G2M	STC22N-M10M	STC22N-M14M	STC22N-G2F	STC22N-G3F	STC22N-RA
STC30N-□	STC30N-G2M	STC30N-M10M	STC30N-M14M	STC30N-G2F	STC30N-G3F	STC30N-RA
STC40N-□	STC40N-G2M	STC40N-M10M	STC40N-M14M	STC40N-G2F	STC40N-G3F	STC40N-RA
STC50N-□	STC50N-G2M	STC50N-M10M	STC50N-M14M	STC50N-G2F	STC50N-G3F	STC50N-RA
STC60N-□	STC60N-G2M	STC60N-M10M	STC60N-M14M	STC60N-G2F	STC60N-G3F	STC60N-RA
STC80N-□	STC80N-G2M	STC80N-M10M	STC80N-M14M	STC80N-G2F	STC80N-G3F	STC80N-RA
STC100N-□	STC100N-G2M	STC100N-M10M	STC100N-M14M	STC100N-G2F	STC100N-G3F	STC100N-RA
STC125N-□	STC125N-G2M	STC125N-M10M	STC125N-M14M	STC125N-G2F	STC125N-G3F	STC125N-RA

Model	Connection thread			Model	Connection thread		
	G2M	G2F	G3F		G2M	G2F	G3F
STC22HK-□	STC22HK-G2M	STC22HK-G2F	STC22HK-G3F	STC22HD-□	STC22HD-G2M	STC22HD-G2F	STC22HD-G3F
STC30HK-□	STC30HK-G2M	STC30HK-G2F	STC30HK-G3F	STC30HD-□	STC30HD-G2M	STC30HD-G2F	STC30HD-G3F
STC40HK-□	STC40HK-G2M	STC40HK-G2F	STC40HK-G3F	STC40HD-□	STC40HD-G2M	STC40HD-G2F	STC40HD-G3F
STC50HK-□	STC50HK-G2M	STC50HK-G2F	STC50HK-G3F	STC50HD-□	STC50HD-G2M	STC50HD-G2F	STC50HD-G3F
STC60HK-□	STC60HK-G2M	STC60HK-G2F	STC60HK-G3F	STC60HD-□	STC60HD-G2M	STC60HD-G2F	STC60HD-G3F
STC80HK-□	STC80HK-G2M	STC80HK-G2F	STC80HK-G3F	STC80HD-□	STC80HD-G2M	STC80HD-G2F	STC80HD-G3F
STC100HK-□	STC100HK-G2M	STC100HK-G2F	STC100HK-G3F	STC100HD-□	STC100HD-G2M	STC100HD-G2F	STC100HD-G3F
STC125HK-□	STC125HK-G2M	STC125HK-G2F	STC125HK-G3F	STC125HD-□	STC125HD-G2M	STC125HD-G2F	STC125HD-G3F

STC Series



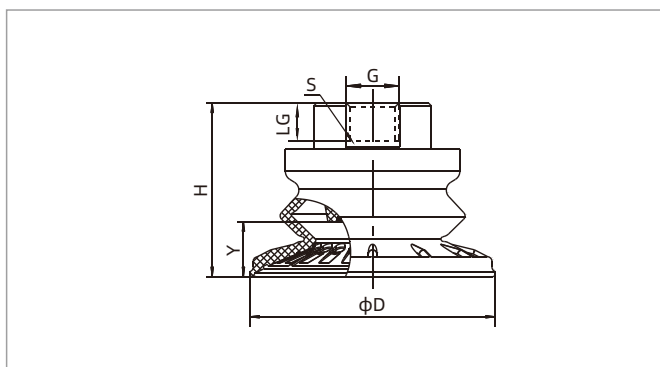
1.5 Bellows Suction Cup Special for Metal Sheet

Technical parameters

Model	Vertical pull-out force N	Lateral pull-out force N	Lateral pull-out force Oily surface (N)	Inner volume cm ³	Min.curve radius of workpiece mm	Weight g	Recommended hose dia. mm	MPQ pcs
STC22	23	20	6.5	1.5	20	8.6	6	5
STC30	35	28	12	6.3	35	12	6	5
STC40	62	37	34	7.2	40	13.5	6	1
STC50	85	58	55	11.2	45	21	8	1
STC60	141	88	83	22.5	52	29	8	1
STC80	236	141	136	57	70.5	51	8	1
STC100	371	228	221	92	95	77	8	1
STC125	558	352	335	191	140	165	10	1

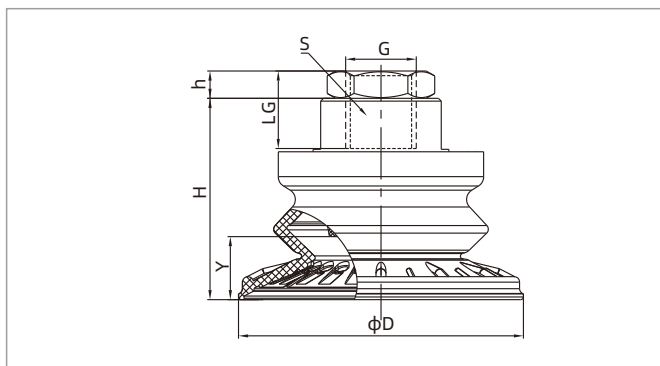
◇ Note: Testing vacuum level -60kPa, workpiece with smooth and clean surface. The data of pull-out force as above are figured out without considering safety factor. The data may be different according to different workpiece surfaces

Dimensions(mm)



F - Female thread

Model/Size	D	H	G	LG	S	Y
STC22□-G2F	22	25	G1/4	10	16	5.5
STC30□-G2F	32	28	G1/4	11	17	9.5
STC40□-G2F	42	28.5	G1/4	11	17	10
STC50□-G3F	52	36.2	G3/8	13	22	11.5
STC60□-G3F	62.5	41	G3/8	13	22	14.5
STC80□-G3F	82	49.5	G3/8	13	22	22.5
STC100□-G3F	103	55	G3/8	13	22	25
STC125□-G3F	128	68	G3/8	13	22	32



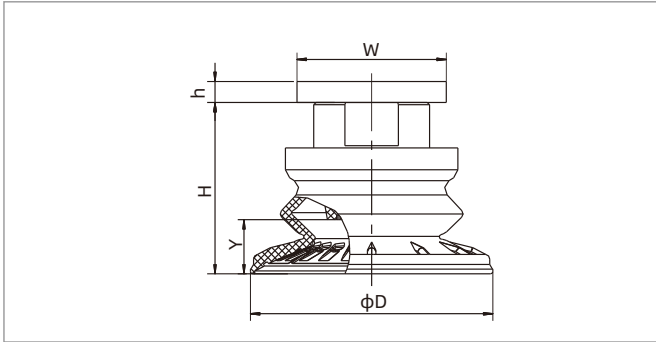
F - Female thread

Model/Size	D	H	G	h	LG	S	Y
STC22□-G3F	22	25	G3/8	14	11	22	5.5
STC30□-G3F	32	28	G3/8	14	11	22	9.5
STC40□-G3F	42	28.5	G3/8	14	11	22	10
STC50□-G2F	52	36.2	G1/4	5	13	9	11.5
STC60□-G2F	62.5	41	G1/4	5	13	9	14.5
STC80□-G2F	82	49.5	G1/4	5	13	9	22.5
STC100□-G2F	103	55	G1/4	5	13	9	25
STC125□-G2F	128	68	G1/4	5	13	9	32

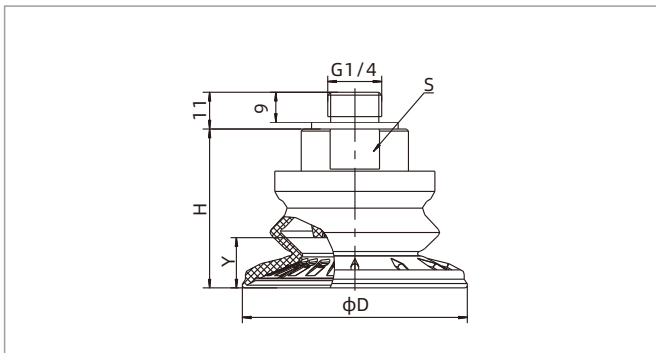
STC Series

1.5 Bellows Suction Cup Special for Metal Sheet

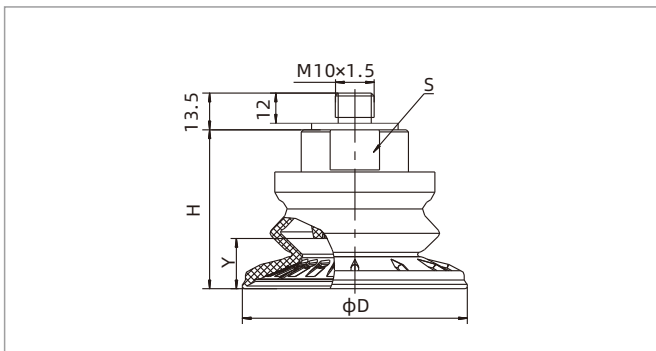
Dimensions(mm)



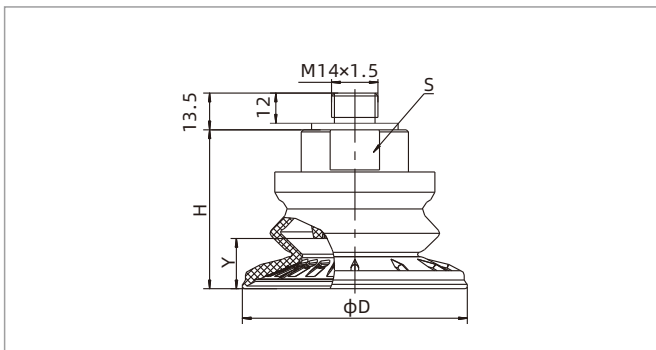
RA - Rectangular adapter



M - Male thread



M - Male thread



M - Male thread

◇ Note: The dimensional tolerance conforms to GB/T3672.1-2002-1 M3 rubber product dimensional tolerance standard

Model/Size	D	H	W	h	Y
STC22□-RA	22	25	31.8×31.8	4.7	5.5
STC30□-RA	32	28	31.8×31.8	4.7	9.5
STC40□-RA	42	28.5	31.8×31.8	4.7	10
STC50□-RA	52	36.2	31.8×31.8	4.7	11.5
STC60□-RA	62.5	41	31.8×31.8	4.7	14.5
STC80□-RA	82	49.5	31.8×31.8	4.7	22.5
STC100□-RA	103	55	31.8×31.8	4.7	25
STC125□-RA	128	68	31.8×31.8	4.7	32

Model/Size	D	H	S	Y
STC22□-G2M	22	25	17	5.5
STC30□-G2M	32	28	17	9.5
STC40□-G2M	42	28.5	17	10
STC50□-G2M	52	36.2	22	11.5
STC60□-G2M	62.5	41	22	14.5
STC80□-G2M	82	49.5	22	22.5
STC100□-G2M	103	55	22	25
STC125□-G2M	128	68	22	32

Model/Size	D	H	S	Y
STC22□-M10M	22	25	17	5.5
STC30□-M10M	32	28	17	9.5
STC40□-M10M	42	28.5	17	10
STC50□-M10M	52	36.2	22	11.5
STC60□-M10M	62.5	41	22	14.5
STC80□-M10M	82	49.5	22	22.5
STC100□-M10M	103	55	22	25
STC125□-M10M	128	68	22	32

Model/Size	D	H	S	Y
STC22□-M14M	22	25	17	5.5
STC30□-M14M	32	28	17	9.5
STC40□-M14M	42	28.5	17	10
STC50□-M14M	52	36.2	22	11.5
STC60□-M14M	62.5	41	22	14.5
STC80□-M14M	82	49.5	22	22.5
STC100□-M14M	103	55	22	25
STC125□-M14M	128	68	22	32

Vacuum Generator
Suction Cup
Special Vacuum Gripper
Vacuum Gripper
Mounting Parts
Vacuum Accessories

SFF Series

Flat Suction Cup Special for Metal Sheet



METAL SHEET



SLIPPING RESISTANCE



OILY SURFACE



Features

- ◇ Internal large area support structure
- ◇ Various sizes are available

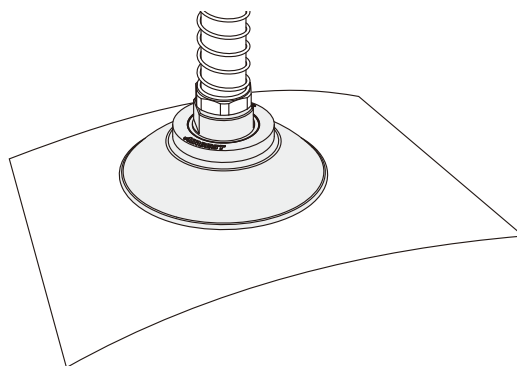
Advantages

- ◇ Effectively enhance the friction force between suction cups and workpieces
- ◇ The max. temp of HK material is 250°C, it can be used to pick up high temp metal sheet
- ◇ The max. temp of HD material is 160°C, it can be used to pick up high temp glass without mark
- ◇ Suitable for workpieces with different sizes and shapes



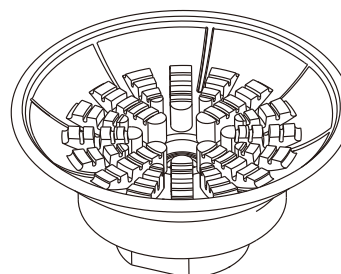
Applications

- ◇ Handling of oily metal sheet
- ◇ Handling metal sheet and aluminum plates without deformation
- ◇ Used for loading and unloading of material during CNC or machine tool processing
- ◇ Handling curved metal sheets
- ◇ Used in automotive stamping metal parts handling systems



Structure

- ◇ Suction cup and fitting are one-piece structure



SFF Series

Flat Suction Cup Special for Metal Sheet

How to order

SFF 50 N - G3F

① ② ③ ④

① Series	② Diameter	③ Material & Hardness	④ Connection thread
SFF	30 - φ30mm	N - NBR	60 G2F - G1/4 female thread
	40 - φ40mm	NG - NBR	45 G3F - G3/8 female thread
	50 - φ50mm	HK - Extra high temp rubber	65 G2M - G1/4 male thread
	60 - φ60mm	HD - High temp/mark free material	60 M10M - M10×1.5 male thread
	80 - φ80mm		M14M - M14×1.5 male thread
	100 - φ100mm		RA - Rectangular adapter
	125 - φ125mm		

Selection

Model	Connection thread					
	G2M	M10M	M14M	G2F	G3F	RA
SFF30N-□	SFF30N-G2M	SFF30N-M10M	SFF30N-M14M	SFF30N-G2F	SFF30N-G3F	SFF30N-RA
SFF40N-□	SFF40N-G2M	SFF40N-M10M	SFF40N-M14M	SFF40N-G2F	SFF40N-G3F	SFF40N-RA
SFF50N-□	SFF50N-G2M	SFF50N-M10M	SFF50N-M14M	SFF50N-G2F	SFF50N-G3F	SFF50N-RA
SFF60N-□	SFF60N-G2M	SFF60N-M10M	SFF60N-M14M	SFF60N-G2F	SFF60N-G3F	SFF60N-RA
SFF80N-□	SFF80N-G2M	SFF80N-M10M	SFF80N-M14M	SFF80N-G2F	SFF80N-G3F	SFF80N-RA
SFF100N-□	SFF100N-G2M	SFF100N-M10M	SFF100N-M14M	SFF100N-G2F	SFF100N-G3F	SFF100N-RA
SFF125N-□	SFF125N-G2M	SFF125N-M10M	SFF125N-M14M	SFF125N-G2F	SFF125N-G3F	SFF125N-RA

Model	Connection thread					
	G2M	M10M	M14M	G2F	G3F	RA
SFF30NG-□	SFF30NG-G2M	SFF30NG-M10M	SFF30N-M14M	SFF30NG-G2F	SFF30NG-G3F	SFF30NG-RA
SFF40NG-□	SFF40NG-G2M	SFF40NG-M10M	SFF40N-M14M	SFF40NG-G2F	SFF40NG-G3F	SFF40NG-RA
SFF50NG-□	SFF50NG-G2M	SFF50NG-M10M	SFF50N-M14M	SFF50NG-G2F	SFF50NG-G3F	SFF50NG-RA
SFF60NG-□	SFF60NG-G2M	SFF60NG-M10M	SFF60N-M14M	SFF60NG-G2F	SFF60NG-G3F	SFF60NG-RA
SFF80NG-□	SFF80NG-G2M	SFF80NG-M10M	SFF80N-M14M	SFF80NG-G2F	SFF80NG-G3F	SFF80NG-RA
SFF100NG-□	SFF100NG-G2M	SFF100NG-M10M	SFF100N-M14M	SFF100NG-G2F	SFF100NG-G3F	SFF100NG-RA
SFF125NG-□	SFF125NG-G2M	SFF125NG-M10M	SFF125N-M14M	SFF125NG-G2F	SFF125NG-G3F	SFF125NG-RA

Model	Connection thread			Model	Connection thread		
	G2M	G2F	G3F		G2M	G2F	G3F
SFF30HK-□	SFF30HK-G2M	SFF30HK-G2F	SFF30HK-G3F	SFF30HD-□	SFF30HD-G2M	SFF30HD-G2F	SFF30HD-G3F
SFF40HK-□	SFF40HK-G2M	SFF40HK-G2F	SFF40HK-G3F	SFF40HD-□	SFF40HD-G2M	SFF40HD-G2F	SFF40HD-G3F
SFF50HK-□	SFF50HK-G2M	SFF50HK-G2F	SFF50HK-G3F	SFF50HD-□	SFF50HD-G2M	SFF50HD-G2F	SFF50HD-G3F
SFF60HK-□	SFF60HK-G2M	SFF60HK-G2F	SFF60HK-G3F	SFF60HD-□	SFF60HD-G2M	SFF60HD-G2F	SFF60HD-G3F
SFF80HK-□	SFF80HK-G2M	SFF80HK-G2F	SFF80HK-G3F	SFF80HD-□	SFF80HD-G2M	SFF80HD-G2F	SFF80HD-G3F
SFF100HK-□	SFF100HK-G2M	SFF100HK-G2F	SFF100HK-G3F	SFF100HD-□	SFF100HD-G2M	SFF100HD-G2F	SFF100HD-G3F
SFF125HK-□	SFF125HK-G2M	SFF125HK-G2F	SFF125HK-G3F	SFF125HD-□	SFF125HD-G2M	SFF125HD-G2F	SFF125HD-G3F

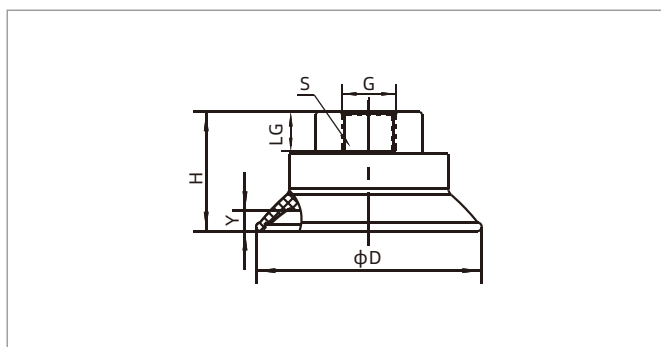
SFF Series

Flat Suction Cup Special for Metal Sheet

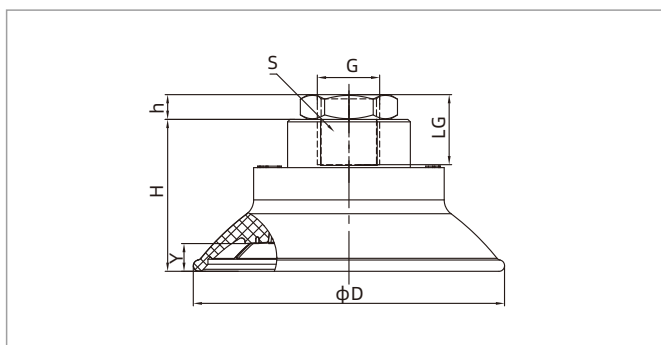
Technical parameters

Model	Vertical pull-out force N	Lateral pull-out force N	Lateral pull-out force Oily surface(N)	Inner volume cm ³	Min.curve radius of workpiece mm	Weight g	Recommended hose dia. mm	MPQ pcs
SFF30	45	35	33	1.6	35	11	6	1
SFF40	72	54	51	3.5	47.5	13	6	1
SFF50	112	90	86	7.5	70	20	8	1
SFF60	145	102	93	12.6	81	26	8	1
SFF80	288	212	190	35	115	43	8	1
SFF100	445	322	308	60	141	57	8	1
SFF125	660	475	400	115	165	145	10	1

Dimensions(mm)



F - Female thread connection



F - Female thread connection

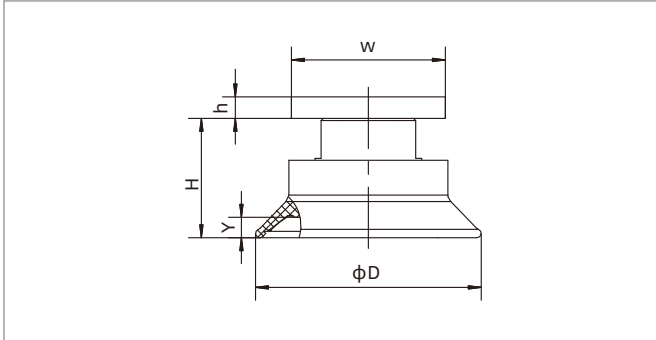
Model/Size	D	H	G	LG	S	Y
SFF30□-G2F	32	19.5	G1/4	11	17	2.7
SFF40□-G2F	42	22	G1/4	11	17	3.4
SFF50□-G3F	52	28	G3/8	13	22	4.7
SFF60□-G3F	62.5	31	G3/8	13	22	6
SFF80□-G3F	83	34.5	G3/8	13	22	6
SFF100□-G3F	102	36.5	G3/8	13	22	9.2
SFF125□-G3F	128	43	G3/8	13	22	12.5

Model/Size	D	H	G	h	LG	S	Y
SFF30□-G3F	32	19.5	G3/8	14	11	22	2.7
SFF40□-G3F	42	22	G3/8	14	11	22	3.4
SFF50□-G2F	52	28	G1/4	5	13	19	4.7
SFF60□-G2F	62.5	31	G1/4	5	13	19	6
SFF80□-G2F	83	34.5	G1/4	5	13	19	6
SFF100□-G2F	102	36.5	G1/4	5	13	19	9.2
SFF125□-G2F	128	43	G1/4	5	13	19	12.5

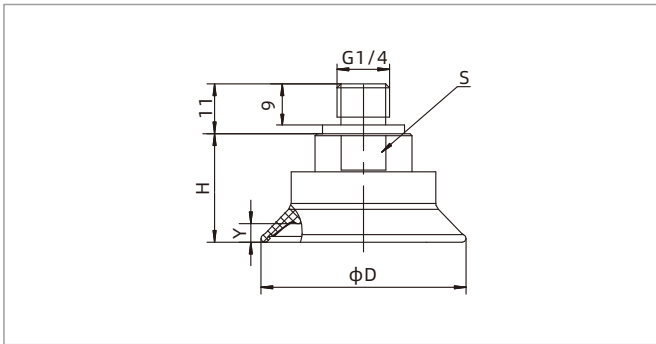
SFF Series

Flat Suction Cup Special for Metal Sheet

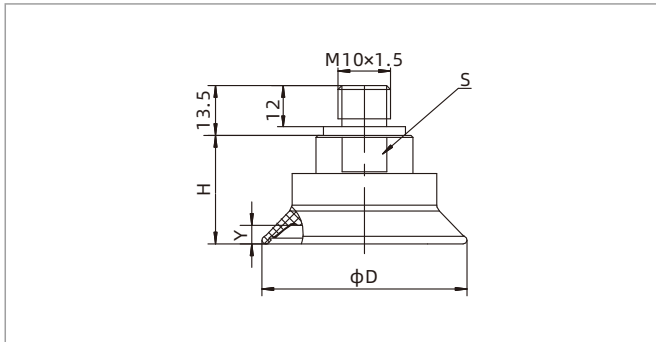
Dimensions(mm)



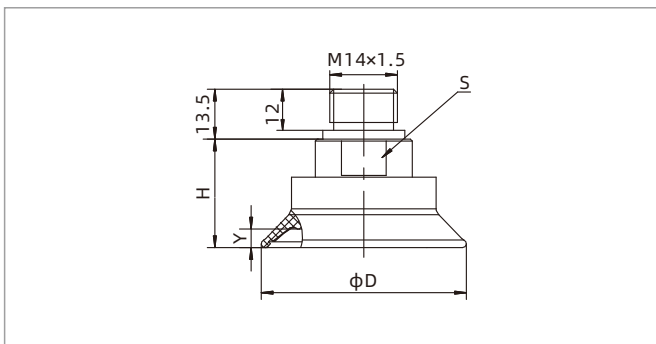
RA - Rectangular adapter



M - Male thread connection



M - Male thread connection



M - Male thread connection

◇ Note: The dimensional tolerance conforms to GBT3672.1-2002-1 M3 rubber product dimensional tolerance standard

Model/Size	D	H	W	h	Y
SFF30□-RA	32	19.5	31.8×31.8	4.7	2.7
SFF40□-RA	42	22	31.8×31.8	4.7	3.7
SFF50□-RA	52	28	31.8×31.8	4.7	4.7
SFF60□-RA	62.5	31	31.8×31.8	4.7	6
SFF80□-RA	83	34.5	31.8×31.8	4.7	6
SFF100□-RA	102	36.5	31.8×31.8	4.7	9.2
SFF125□-RA	128	43	31.8×31.8	4.7	12.5

Model/Size	D	H	s	Y
SFF30□-G2M	32	19.5	17	2.7
SFF40□-G2M	42	22	17	3.7
SFF50□-G2M	52	28	22	4.7
SFF60□-G2M	62.5	31	22	6
SFF80□-G2M	83	34.5	22	6
SFF100□-G2M	102	36.5	22	9.2
SFF125□-G2M	128	43	22	12.5

Model/Size	D	H	s	Y
SFF30□-M10M	32	19.5	17	2.7
SFF40□-M10M	42	22	17	3.7
SFF50□-M10M	52	28	22	4.7
SFF60□-M10M	62.5	31	22	6
SFF80□-M10M	83	34.5	22	6
SFF100□-M10M	102	36.5	22	9.2
SFF125□-M10M	128	43	22	12.5

Model/Size	D	H	s	Y
SFF30□-M14M	32	19.5	17	2.7
SFF40□-M14M	42	22	17	3.7
SFF50□-M14M	52	28	22	4.7
SFF60□-M14M	62.5	31	22	6
SFF80□-M14M	83	34.5	22	6
SFF100□-M14M	102	36.5	22	9.2
SFF125□-M14M	128	43	22	12.5

SOB Series

Oval Suction Cup Special for Metal Sheet



METAL SHEET



LONG AND NARROW OBJECT



SLIPPING RESISTANCE



OILY SURFACE



Features

- ◇ 1.5 Bellows oval structure
- ◇ Internal large area pattern support structure
- ◇ Various sizes and specifications are available

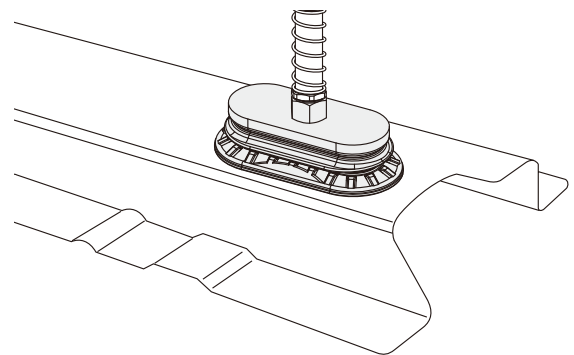
Advantages

- ◇ Handling long and narrow workpieces with even surface or curvature
- ◇ The max. temp of HK material is 250°C, it can be used to pick up high temp metal sheet
- ◇ The max. temp of HD material is 160°C, it can be used to pick up high temp glass without mark
- ◇ Suitable for workpieces with different sizes and shapes



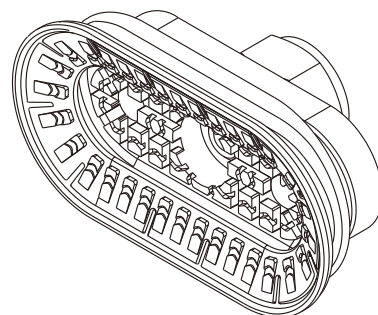
Applications

- ◇ Handling narrow and long metal parts in fast speed, short cycle time
- ◇ Handling metal sheet and aluminum plates without deformation
- ◇ Handling automotive stamping metal parts



Structure

- ◇ 1.5 Bellows structure
- ◇ Suction cup and fitting are one-piece structure



SOB Series

Oval Suction Cup Special for Metal Sheet

How to order

SOB 30×60 N - G3F

① ② ③ ④

① Series	② Size	③ Material & Hardness	④ Connection thread
SOB	30×60	N - NBR	60 G2F - G1/4 female thread
	40×80	HK - Extra high temp rubber	65 G3F - G3/8 female thread
	55×110	HD - High temp/mark free material	60 G2M - G1/4 male thread
	70×140		M10M - M10×1.5 male thread M14M - M14×1.5 male thread RA - Rectangular adapter

Selection

Model	Connection thread					
	G2M	M10M	M14M	G2F	G3F	RA
SOB30×60N-□	SOB30×60N-G2M	SOB30×60N-M10M	SOB30×60N-M14M	SOB30×60N-G2F	SOB30×60N-G3F	SOB30×60N-RA
SOB40×80N-□	SOB40×80N-G2M	SOB40×80N-M10M	SOB40×80N-M14M	SOB40×80N-G2F	SOB40×80N-G3F	SOB40×80N-RA
SOB55×110N-□	SOB55×110N-G2M	SOB55×110N-M10M	SOB55×110N-M14M	SOB55×110N-G2F	SOB55×110N-G3F	SOB55×110N-RA
SOB70×140N-□	SOB70×140N-G2M	SOB70×140N-M10M	SOB70×140N-M14M	SOB70×140N-G2F	SOB70×140N-G3F	SOB70×140N-RA

Model	Connection thread		
	G2M	G2F	G3F
SOB30×60HK-□	SOB30×60HK-G2M	SOB30×60HK-G2F	SOB30×60HK-G3F
SOB40×80HK-□	SOB40×80HK-G2M	SOB40×80HK-G2F	SOB40×80HK-G3F
SOB55×110HK-□	SOB55×110HK-G2M	SOB55×110HK-G2F	SOB55×110HK-G3F
SOB70×140HK-□	SOB70×140HK-G2M	SOB70×140HK-G2F	SOB70×140HK-G3F

Model	Connection thread	
	G2M	G3F
SOB30×60HD-□	SOB30×60HD-G2M	SOB30×60HD-G3F
SOB40×80HD-□	SOB40×80HD-G2M	SOB40×80HD-G3F
SOB55×110HD-□	SOB55×110HD-G2M	SOB55×110HD-G3F
SOB70×140HD-□	SOB70×140HD-G2M	SOB70×140HD-G3F

Technical parameters

Model	Vertical pull-out force N	Lateral pull-out force N	Lateral pull-out force (Oily surface)N	Inner volume cm ³	Min.curve radius of workpiece mm	Weight g	Recommended hose dia. mm	MPQ pcs
SOB30×60	53	60	50	8.7	25	26	6	1
SOB40×80	110	118	101	20	32	33	8	1
SOB55×110	197	200	183	50	50	75	8	1
SOB70×140	275	295	267	100	70	117	8	1

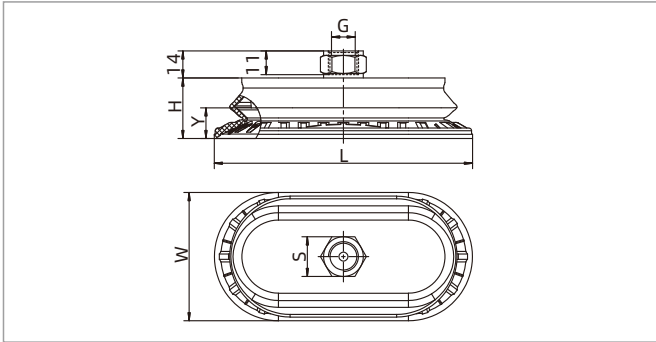
◇ Note: Testing vacuum level -60kPa, workpiece with smooth and clean surface. The data of pull-out force as above are figured out without considering safety factor. The data may be different according to different workpiece surfaces

SOB Series

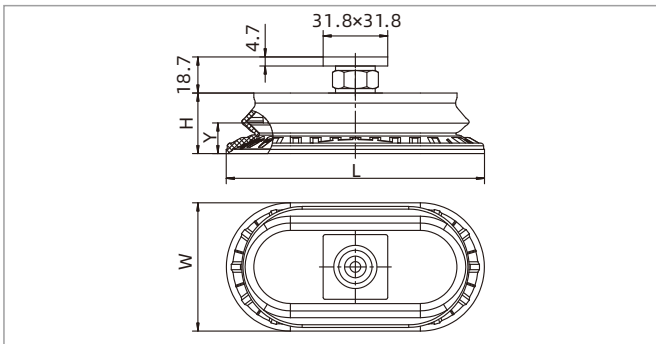
Oval Suction Cup Special for Metal Sheet



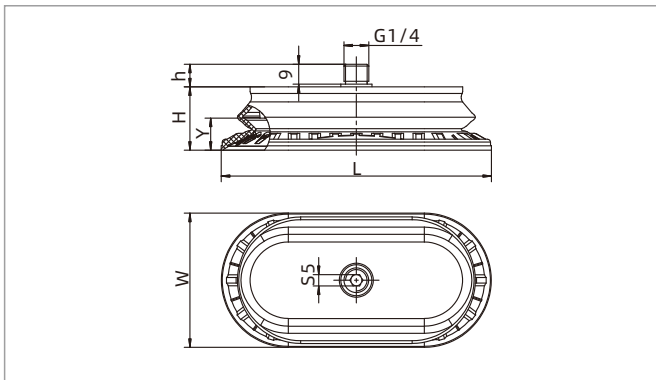
Dimensions(mm)



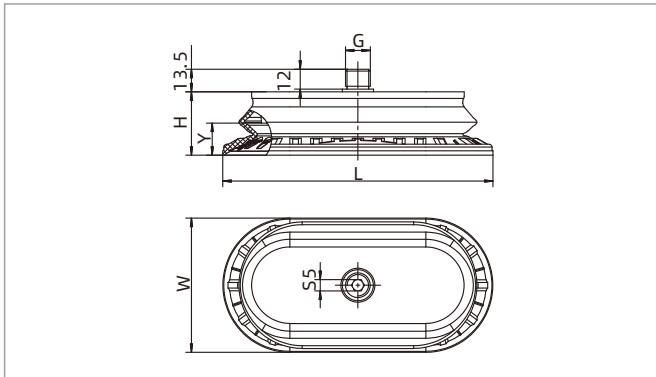
F - Female thread connection



RA - Rectangular adapter



M - Male thread connection



M - Male thread connection

◇ Note: The dimensional tolerance conforms to GBT3672.1-2002-1 M3 rubber product dimensional tolerance standard

Model/Size	L	W	H	G	S	Y
SOB30×60N-G2F	62	31	20	G1/4	17	6
SOB30×60N-G3F	62	31	20	G3/8	22	6
SOB40×80N-G2F	82	41	22.7	G1/4	17	8.8
SOB40×80N-G3F	82	41	22.7	G3/8	22	8.8
SOB55×110N-G2F	112	57	29	G1/4	17	12.5
SOB55×110N-G3F	112	57	29	G3/8	22	12.5
SOB70×140N-G2F	143	70.5	33	G1/4	17	17
SOB70×140N-G3F	143	70.5	33	G3/8	22	17

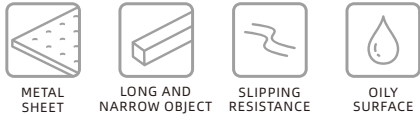
Model/Size	L	W	H	Y
SOB30×60N-RA	62	31	20	6
SOB40×80N-RA	82	41	22.7	8.8
SOB55×110N-RA	112	57	29	12.5
SOB70×140N-RA	143	70.5	33	17

Model/Size	L	W	H	h	Y
SOB30×60N-G2M	62	31	20	10.5	6
SOB40×80N-G2M	82	41	22.7	10.5	8.8
SOB55×110N-G2M	112	57	29	11	12.5
SOB70×140N-G2M	143	70.5	33	11	17

Model/Size	L	W	H	G	Y
SOB30×60N-M10M	62	31	20	M10×1.5	6
SOB30×60N-M14M	62	31	20	M14×1.5	6
SOB40×80-M10M	82	41	22.7	M10×1.5	8.8
SOB40×80N-M14M	82	41	22.7	M14×1.5	8.8
SOB55×110-M10M	112	57	29	M10×1.5	12.5
SOB55×110N-M14M	112	57	29	M14×1.5	12.5
SOB70×140-M10M	143	70.5	33	M10×1.5	17
SOB70×140N-M14M	143	70.5	33	M14×1.5	17

SOF Series

Oval Flat Suction Cup Special for Metal Sheet



Features

- ◇ Oval flat suction cup
- ◇ Internal large area pattern support structure
- ◇ Various sizes are available

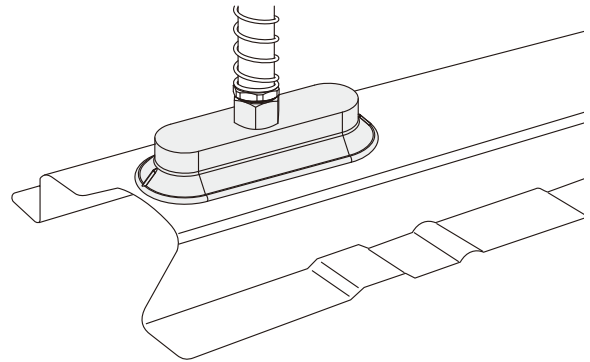
Advantages

- ◇ Handling long and narrow workpieces
- ◇ Effectively enhance friction force between suction cups and workpieces
- ◇ The max. temp of HK material is 250°C, it can be used to pick up high temp metal sheet
- ◇ The max. temp of HD material is 160°C, it can be used to pick up high temp glass without mark
- ◇ Suitable for workpieces with different sizes and shapes



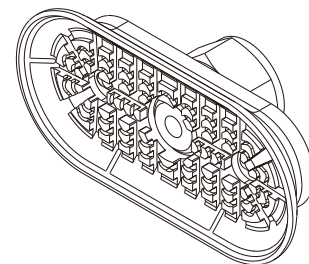
Applications

- ◇ Handling narrow and long metal parts in fast speed, short cycle time
- ◇ Handling metal sheet and aluminum plates without deformation
- ◇ Handling automotive stamping metal parts



Structure

- ◇ Suction cup and fitting are one-piece structure



Oval Flat Suction Cup Speical for Metal Sheet

How to order

SOF 40×80 N - G3F

① ② ③ ④

① Series	② Size	③ Material & Hardness	④ Connection thread
SOF	16×50 40×110	N - NBR	60 G2F - G1/4 female thread M10M - M10×1.5 male thread
	20×80 50×100	NG - NBR	45 G3F - G3/8 female thread M14M - M14×1.5 male thread
	23×60 60×120	HK - Extra high temp rubber	65 G2M - G1/4 male thread RA - Rectangular adapter
	30×90 70×140	HD - High temp/mark free material	60
	40×80		

Selection

Model	Connection thread					
	G2M	M10M	M14M	G2F	G3F	RA
SOF16×50□-□	SOF16×50□-G2M	SOF16×50□-M10M	SOF16×50□-M14M	SOF16×50□-G2F	SOF16×50□-G3F	SOF16×50□-RA
SOF20×80□-□	SOF20×80□-G2M	SOF20×80□-M10M	SOF20×80□-M14M	SOF20×80□-G2F	SOF20×80□-G3F	SOF20×80□-RA
SOF23×60□-□	SOF23×60□-G2M	SOF23×60□-M10M	SOF23×60□-M14M	SOF23×60□-G2F	SOF23×60□-G3F	SOF23×60□-RA
SOF40×80□-□	SOF40×80□-G2M	SOF40×80□-M10M	SOF40×80□-M14M	SOF40×80□-G2F	SOF40×80□-G3F	SOF40×80□-RA
SOF30×90□-□	SOF30×90□-G2M	SOF30×90□-M10M	SOF30×90□-M14M	SOF30×90□-G2F	SOF30×90□-G3F	SOF30×90□-RA
SOF40×110□-□	SOF40×110□-G2M	SOF40×110□-M10M	SOF40×110□-M14M	SOF40×110□-G2F	SOF40×110□-G3F	SOF40×110□-RA
SOF50×100□-□	SOF50×100□-G2M	SOF50×100□-M10M	SOF50×100□-M14M	SOF50×100□-G2F	SOF50×100□-G3F	SOF50×100□-RA
SOF60×120□-□	SOF60×120□-G2M	SOF60×120□-M10M	SOF60×120□-M14M	SOF60×120□-G2F	SOF60×120□-G3F	SOF60×120□-RA
SOF70×140□-□	SOF70×140□-G2M	SOF70×140□-M10M	SOF70×140□-M14M	SOF70×140□-G2F	SOF70×140□-G3F	SOF70×140□-RA

Model	Connection thread			Model	Connection thread		
	G2M	G2F	G3F		G2M	G2F	G3F
SOF16×50HK-□	SOF16×50HK-G2M	SOF16×50HK-G2F	SOF16×50HK-G3F	SOF16×50HD-□	SOF16×50HD-G2M	SOF16×50HD-G2F	SOF16×50HD-G3F
SOF20×80HK-□	SOF20×80HK-G2M	SOF20×80HK-G2F	SOF20×80HK-G3F	SOF20×80HD-□	SOF20×80HD-G2M	SOF20×80HD-G2F	SOF20×80HD-G3F
SOF23×60HK-□	SOF23×60HK-G2M	SOF23×60HK-G2F	SOF23×60HK-G3F	SOF23×60HD-□	SOF23×60HD-G2M	SOF23×60HD-G2F	SOF23×60HD-G3F
SOF40×80HK-□	SOF40×80HK-G2M	SOF40×80HK-G2F	SOF40×80HK-G3F	SOF40×80HD-□	SOF40×80HD-G2M	SOF40×80HD-G2F	SOF40×80HD-G3F
SOF30×90HK-□	SOF30×90HK-G2M	SOF30×90HK-G2F	SOF30×90HK-G3F	SOF30×90HD-□	SOF30×90HD-G2M	SOF30×90HD-G2F	SOF30×90HD-G3F
SOF40×110HK-□	SOF40×110HK-G2M	SOF40×110HK-G2F	SOF40×110HK-G3F	SOF40×110HD-□	SOF40×110HD-G2M	SOF40×110HD-G2F	SOF40×110HD-G3F
SOF50×100HK-□	SOF50×100HK-G2M	SOF50×100HK-G2F	SOF50×100HK-G3F	SOF50×100HD-□	SOF50×100HD-G2M	SOF50×100HD-G2F	SOF50×100HD-G3F
SOF60×120HK-□	SOF60×120HK-G2M	SOF60×120HK-G2F	SOF60×120HK-G3F	SOF60×120HD-□	SOF60×120HD-G2M	SOF60×120HD-G2F	SOF60×120HD-G3F
SOF70×140HK-□	SOF70×140HK-G2M	SOF70×140HK-G2F	SOF70×140HK-G3F	SOF70×140HD-□	SOF70×140HD-G2M	SOF70×140HD-G2F	SOF70×140HD-G3F

Technical parameters

Model	Vertical pull-out force N	Lateral pull-out force N	Lateral pull-out force (Oily surface)N	Inner volume cm ³	Min.curve radius of workpiece mm	Weight g	Recommended hose dia. mm	MPQ pcs
SOF16×50	33	24	12	2	8	17	4	1
SOF20×80	78	38	35	5	25	23	4	1
SOF23×60	57	37	33	3	20	29	4	1
SOF30×90	125	77	60	10	30	24	4	1
SOF40×80	141	110	100	11	50	43	6	1
SOF40×110	200	188	118	25	35	47	6	1
SOF50×100	217	181	121	20	75	56	6	1
SOF60×120	312	254	170	35	75	70	6	1
SOF70×140	445	344	230	52	90	77	8	1

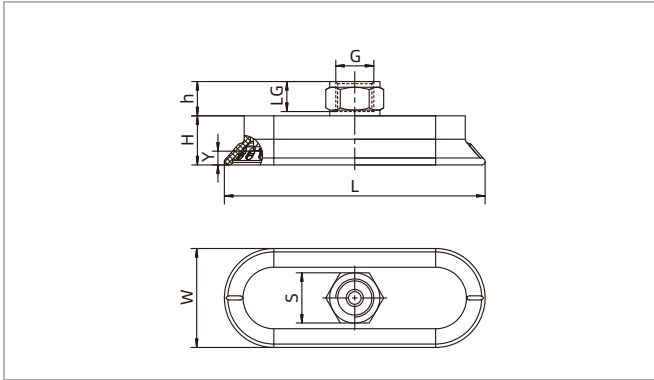
◇ Note: Testing vacuum level -60kPa, workpiece with smooth and clean surface. The data of pull-out force as above are figured out without considering safety factor. The data may be different according to different workpiece surfaces.

SOF Series

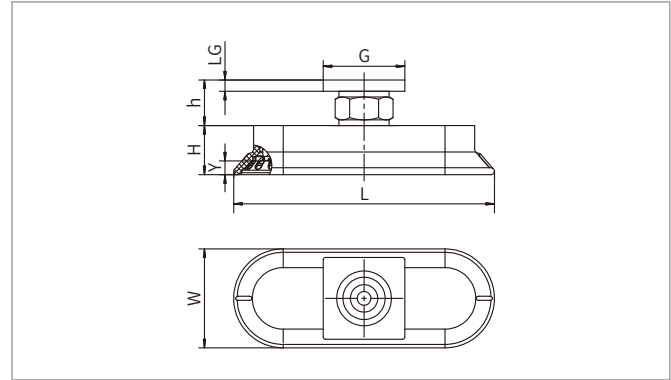
Oval Flat Suction Cup Special for Metal Sheet



Dimensions(mm)



F - Female thread connection



RA-Rectangular adapter

Model/Size	L	W	H	G	LG	h	S	Y
SOF16×50□-G2F	50	16	19.5	G1/4	11	14	17	3
SOF16×50□-G3F	50	16	19.5	G3/8	11	14	22	3
SOF16×50□-RA	50	16	19.5	31.8×31.8	4.7	18.7	-	3
SOF20×80□-G2F	84	24	15.5	G1/4	11	14	17	5
SOF20×80□-G3F	84	24	15.5	G3/8	11	14	22	5
SOF20×80□-RA	84	24	15.5	31.8×31.8	4.7	18.7	-	5
SOF23×60□-G2F	61.5	22.5	12	G1/4	11	14	17	3
SOF23×60□-G3F	61.5	22.5	12	G3/8	11	14	22	3
SOF23×60□-RA	61.5	22.5	12	31.8×31.8	4.7	18.7	-	3
SOF30×90□-G2F	93	33	16	G1/4	11	14	17	5
SOF30×90□-G3F	93	33	16	G3/8	11	14	22	5
SOF30×90□-RA	93	33	16	31.8×31.8	4.7	18.7	-	5
SOF40×80□-G2F	82	39	14	G1/4	11	14	17	4
SOF40×80□-G3F	82	39	14	G3/8	11	14	22	4
SOF40×80□-RA	82	39	14	31.8×31.8	4.7	18.7	-	4
SOF40×110□-G2F	113	43	21.5	G1/4	11	14	17	6
SOF40×110□-G3F	113	43	21.5	G3/8	11	14	22	6
SOF40×110□-RA	113	43	21.5	31.8×31.8	4.7	18.7	-	6
SOF50×100□-G2F	102	49	16	G1/4	11	14	17	5
SOF50×100□-G3F	102	49	16	G3/8	11	14	22	5
SOF50×100□-RA	102	49	16	31.8×31.8	4.7	18.7	-	5
SOF60×120□-G2F	123	58	18	G1/4	11	14	17	6
SOF60×120□-G3F	123	58	18	G3/8	11	14	22	6
SOF60×120□-RA	123	58	18	31.8×31.8	4.7	18.7	-	6
SOF70×140□-G2F	141	67.5	19	G1/4	11	14	17	7
SOF70×140□-G3F	141	67.5	19	G3/8	11	14	22	7
SOF70×140□-RA	141	67.5	19	31.8×31.8	4.7	18.7	-	7

Vacuum Generator

Suction Cup

Special Vacuum Gripper

Vacuum Gripper

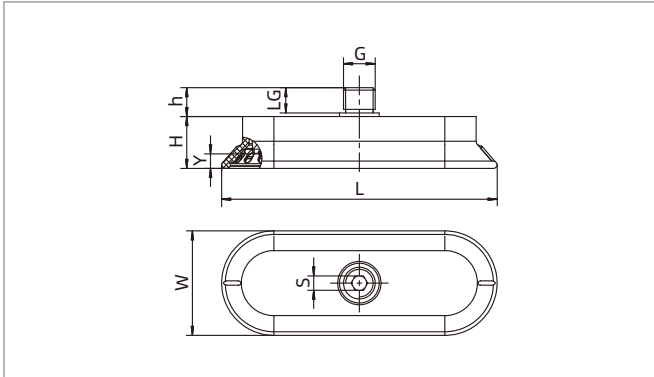
Mounting Parts

Vacuum Accessories

SOF Series

Oval Flat Suction Cup Special for Metal Sheet

Dimensions(mm)



M - Male thread connection

Model/Size	L	W	H	G	LG	h	S	Y
SOF16×50□-G2M	50	16	19.5	G1/4	9	10.5	5	3
SOF16×50□-M10M	50	16	19.5	M10×1.5	12	13.5	5	3
SOF16×50□-M14M	50	16	19.5	M14×1.5	12	13.5	5	3
SOF20×80□-G2M	84	24	15.5	G1/4	9	10.5	5	5
SOF20×80□-M10M	84	24	15.5	M10×1.5	12	13.5	5	5
SOF20×80□-M14M	84	24	15.5	M14×1.5	12	13.5	5	5
SOF23×60□-G2M	61.5	22.5	12	G1/4	9	10.5	5	3
SOF23×60□-M10M	61.5	22.5	12	M10×1.5	12	13.5	5	3
SOF23×60□-M14M	61.5	22.5	12	M14×1.5	12	13.5	5	3
SOF30×90□-G2M	93	33	16	G1/4	9	10.5	5	5
SOF30×90□-M10M	93	33	16	M10×1.5	12	13.5	5	5
SOF30×90□-M14M	93	33	16	M14×1.5	12	13.5	5	5
SOF40×80□-G2M	82	39	14	G1/4	9	10.5	5	4
SOF40×80□-M10M	82	39	14	M10×1.5	12	13.5	5	4
SOF40×80□-M14M	82	39	14	M14×1.5	12	13.5	5	4
SOF40×110□-G2M	113	43	21.5	G1/4	9	11	5	6
SOF40×110□-M10M	113	43	21.5	M10×1.5	12	13.5	5	6
SOF40×110□-M14M	113	43	21.5	M14×1.5	12	13.5	5	6
SOF50×100□-G2M	102	49	16	G1/4	9	11	5	5
SOF50×100□-M10M	102	49	16	M10×1.5	12	13.5	5	5
SOF50×100□-M14M	102	49	16	M14×1.5	12	13.5	5	5
SOF60×120□-G2M	123	58	18	G1/4	9	11	5	6
SOF60×120□-M10M	123	58	18	M10×1.5	12	13.5	5	6
SOF60×120□-M14M	123	58	18	M14×1.5	12	13.5	5	6
SOF70×140□-G2M	141	67.5	19	G1/4	9	11	5	7
SOF70×140□-M10M	141	67.5	19	M10×1.5	12	13.5	5	7
SOF70×140□-M14M	141	67.5	19	M14×1.5	12	13.5	5	7

◇ Note: The dimensional tolerance conforms to GB/T3672.1-2002-1 M3 rubber product dimensional tolerance standard

SBA Series

1.5 Bellows Suction Cup



Features

- ◇ 1.5 Bellows
- ◇ Special material with high temperature resistance is optional
- ◇ Various sizes for option

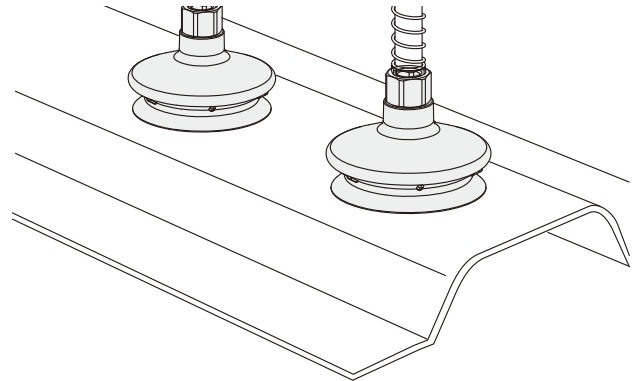
Advantages

- ◇ Easy to fit uneven surface of workpiece, has buffer effect
- ◇ Can handle workpiece with high temperature
- ◇ Fitting can be used repeatedly, greatly reducing customer's cost
- ◇ Suitable for workpieces with different sizes and shapes



Applications

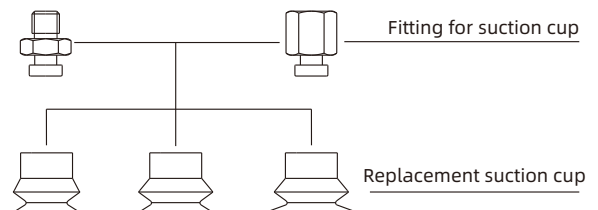
- ◇ Handling of workpieces with uneven surface, such as carton, cardboard, cambered workpiece, pipe, etc.
- ◇ Handling high temperature plastic injection parts, metal sheet, glass, etc.
- ◇ Handling smooth wood plate, smooth steel plate and so on



Structure

- ◇ 1.5 Bellows, large compressed stroke
- ◇ Suction cup and fitting are split structure design, wearing parts can be replaced separately
- ◇ Mark free plug is optional, for grasping without any mark

In same series, replacement suction cup and fitting can be combined on request.



SBA Series

1.5 Bellows Suction Cup

How to order

SBA 33 N - G2M - PK

① ② ③ ④ ⑤

① Series	② Diameter	③ Material & Hardness	④ Connection thread	⑤ Special specification	
SBA	6 - φ6mm	27 - φ27mm	N - NBR	55 Nil - Suction cup only	Nil - Standard type
	11 - φ11mm	33 - φ33mm	WS - White silicone	50 M5M - M5×0.8 male thread	PK - With mark free plug
	14 - φ14mm	43 - φ43mm	HD - High temp/Mark free	60 G1M - G1/8 male thread	
	16 - φ16mm	53 - φ53mm	NR - Natural rubber	40 G2M - G1/4 male thread	
	20 - φ20mm	63 - φ63mm		M5F - M5×0.8 female thread	
	22 - φ22mm	78 - φ78mm		G1F - G1/8 female thread	
	25 - φ25mm			G2F - G1/4 female thread	

Selection

Model	Connection thread M - Male thread	F - Female thread
SBA6□	SBA6□-M5M	SBA6□-M5F
SBA11□	SBA11□-M5M SBA11□-G1M	SBA11□-M5F SBA11□-G1F
SBA14□	SBA14□-M5M SBA14□-G1M	SBA14□-M5F SBA14□-G1F
SBA16□	SBA16□-M5M SBA16□-G1M	SBA16□-M5F SBA16□-G1F
SBA20□	SBA20□-M5M SBA20□-G1M	SBA20□-M5F SBA20□-G1F
SBA22□	SBA22□-M5M SBA22□-G1M	SBA22□-M5F SBA22□-G1F
SBA25□	SBA25□-M5M SBA25□-G1M	SBA25□-M5F SBA25□-G1F
SBA27□	SBA27□-G2M	SBA27□-G2F
SBA33□	SBA33□-G2M	SBA33□-G2F
SBA43□	SBA43□-G2M	SBA43□-G2F
SBA53□	SBA53□-G2M	SBA53□-G2F
SBA63□	SBA63□-G2M	SBA63□-G2F
SBA78□	SBA78□-G2M	SBA78□-G2F

SBA Series

1.5 Bellows Suction Cup

Selection - With mark free plug

Model	M - Male thread		F - Female thread	
SBA11□-PK	SBA11□-M5M-PK	SBA11□-G1M-PK	SBA11□-M5F-PK	SBA11□-G1F-PK
SBA14□-PK	SBA14□-M5M-PK	SBA14□-G1M-PK	SBA14□-M5F-PK	SBA14□-G1F-PK
SBA16□-PK	SBA16□-M5M-PK	SBA16□-G1M-PK	SBA16□-M5F-PK	SBA16□-G1F-PK
SBA20□-PK	SBA20□-M5M-PK	SBA20□-G1M-PK	SBA20□-M5F-PK	SBA20□-G1F-PK
SBA22□-PK	SBA22□-M5M-PK	SBA22□-G1M-PK	SBA22□-M5F-PK	SBA22□-G1F-PK
SBA25□-PK	SBA25□-M5M-PK	SBA25□-G1M-PK	SBA25□-M5F-PK	SBA25□-G1F-PK
SBA27□-PK	SBA27□-G2M-PK		SBA27□-G2F-PK	
SBA33□-PK	SBA33□-G2M-PK		SBA33□-G2F-PK	
SBA43□-PK	SBA43□-G2M-PK		SBA43□-G2F-PK	
SBA53□-PK	SBA53□-G2M-PK		SBA53□-G2F-PK	

Technical parameters

Model	Pull-out force N	Inner volume cm ³	Min. curved radius of workpiece mm	Weight g	Recommended hose dia. mm	MPQ pcs
SBA6	1.4	0.1	2	0.2	4	10
SBA11	3.8	0.2	10	1.0	6	10
SBA14	5.0	0.4	13	1.1	6	10
SBA16	6.7	0.8	20	1.4	6	10
SBA20	10.7	1.2	30	1.5	6	5
SBA22	15.2	1.4	25	2.2	6	5
SBA25	17.3	3.2	20	3.1	6	5
SBA27	24.0	3.4	23	4.7	6	5
SBA33	39.6	4.8	40	7.2	6	5
SBA43	64.5	11.4	60	11.9	6	5
SBA53	95.0	26.0	75	20.2	8	1
SBA63	135.0	44.0	75	25.5	8	1
SBA78	218.0	76.0	70	52.6	8	1

◇ Note: Testing vacuum level -60kPa, workpiece with smooth and clean surface. The data of pull-out force as above are figured out without considering safety factor. The data may be different according to different workpiece surfaces. Recommend the length of vacuum hose to be as short as possible, max 2m.

Vacuum Generator

Suction Cup

Special Vacuum Gripper

Vacuum Gripper

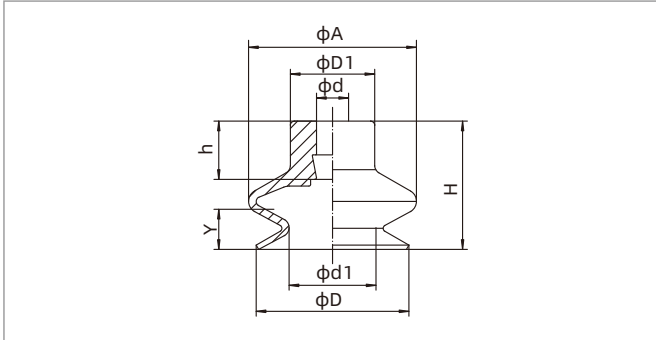
Mounting Parts

Vacuum Accessories

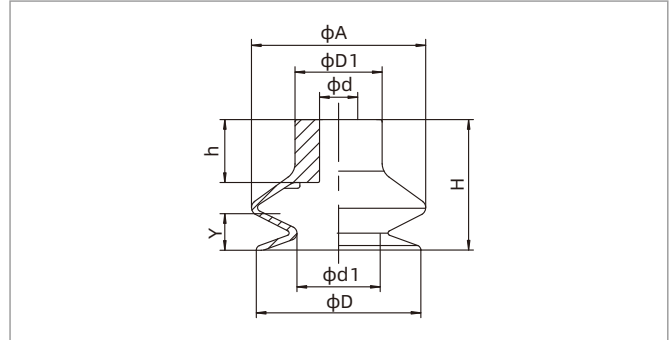
SBA Series

1.5 Bellows Suction Cup

Dimensions(mm) - Suction cup only



SBA6-25

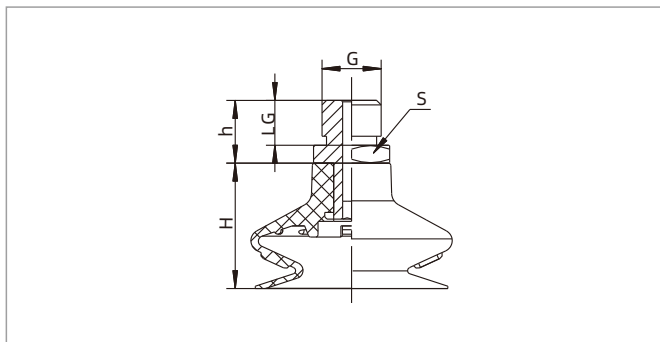


SBA27-78

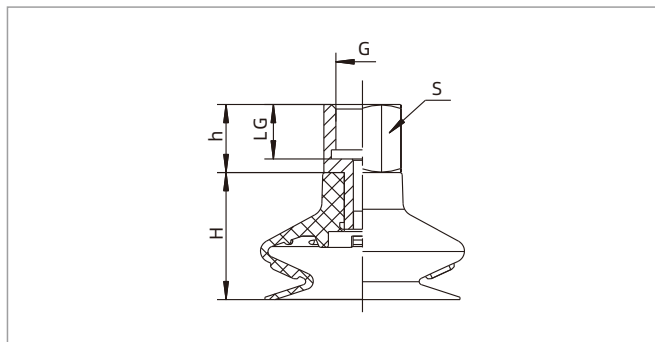
Model/Size	D	H	A	D1	d	d1	h	Y
SBA6□	5.5	9	6	7	3.7	2.7	5	3
SBA11□	10.5	16	12	10	4	5	7	4
SBA14□	13	15.5	13.5	10	4	5	7	6
SBA16□	15.5	19	17	10	4	8	7	7
SBA20□	18	15	20	10	4	11	7	8
SBA22□	22	19	24	10	4	11	9	9
SBA25□	24	23	25	10	4	9.5	9	11.5
SBA27□	26	25	27.5	16	8	14	13	9
SBA33□	35	27	36	18	8	17	13	10
SBA43□	43	28	45	18	8	21.5	13	11.5
SBA53□	53	34	58	18	8	32	13	15.5
SBA63□	63	33.5	66	18	8	43.5	13	15
SBA78□	78	46.5	83	25	12	54.5	20	14.5

1.5 Bellows Suction Cup

Dimensions(mm) - Suction cup with fitting



SBA - Male thread connection



SBA - Female thread connection

Model/Size	H	h	G	LG	S
SBA6□-M5M	9	7.5	M5 × 0.8	3.5	7
SBA11□-M5M	16	7.5	M5 × 0.8	3.5	7
SBA11□-G1M	16	13.5	G1/8	7.5	14
SBA14□-M5M	15.5	7.5	M5 × 0.8	3.5	7
SBA14□-G1M	15.5	13.5	G1/8	7.5	14
SBA16□-M5M	19	7.5	M5 × 0.8	3.5	7
SBA16□-G1M	19	13.5	G1/8	7.5	14
SBA20□-M5M	15	7.5	M5 × 0.8	3.5	7
SBA20□-G1M	15	13.5	G1/8	7.5	14
SBA22□-M5M	19	7.5	M5 × 0.8	3.5	7
SBA22□-G1M	19	13.5	G1/8	7.5	14
SBA25□-M5M	23	7.5	M5 × 0.8	3.5	7
SBA25□-G1M	23	13.5	G1/8	7.5	14
SBA27□-G2M	25	15	G1/4	11	17
SBA33□-G2M	27	15	G1/4	11	17
SBA43□-G2M	28	15	G1/4	11	17
SBA53□-G2M	34	15	G1/4	11	17
SBA63□-G2M	33.5	15	G1/4	11	17
SBA78□-G2M	46.5	15	G1/4	11	21

Model/Size	H	h	G	LG	S
SBA6□-M5F	9	10	M5 × 0.8	5.5	7
SBA11□-M5F	16	10	M5 × 0.8	5.5	8
SBA11□-G1F	16	12	G1/8	8	14
SBA14□-M5F	15.5	10	M5 × 0.8	5.5	8
SBA14□-G1F	15.5	12	G1/8	8	14
SBA16□-M5F	19	10	M5 × 0.8	5.5	8
SBA16□-G1F	19	12	G1/8	8	14
SBA20□-M5F	15	10	M5 × 0.8	5.5	8
SBA20□-G1F	15	12	G1/8	8	14
SBA22□-M5F	19	10	M5 × 0.8	5.5	8
SBA22□-G1F	19	12	G1/8	8	14
SBA25□-M5F	23	10	M5 × 0.8	5.5	8
SBA25□-G1F	23	12	G1/8	8	14
SBA27□-G2F	25	15	G1/4	12	17
SBA33□-G2F	27	15	G1/4	12	17
SBA43□-G2F	28	15	G1/4	12	17
SBA53□-G2F	34	15	G1/4	12	17
SBA63□-G2F	33.5	15	G1/4	12	17
SBA78□-G2F	46.5	15	G1/4	12	21

◇ Note: The dimensional tolerance conforms to GB/T3672.1-2002-1 M3 rubber product dimensional tolerance standard

Mounting parts

Item	Model M - Male thread	F - Female thread	Applicable suction cup
Fitting for suction cup	PJS-M5M-SBA6	PJS-M5F-SBA6	SBA6
	PJS-M5M-SC3	PJS-M5F-SC3	SBA11,14,16,20,22,25
	PJS-G1M-SC3	PJS-G1F-SC3	SBA11,14,16,20,22,25
	PJS-G2M-ST5	PJS-G2F-ST5	SBA27,33,43,53,63
	PJS-G2M-ST8	PJS-G2F-ST8	SBA78

SOM Series

Oval Flat Suction Cup Special for Long and Narrow Objects



Features

- ◇ Large stroke and good flexibility
- ◇ PU material
- ◇ Internal large area pattern support structure
- ◇ Non-rotating structure
- ◇ Various sizes are available

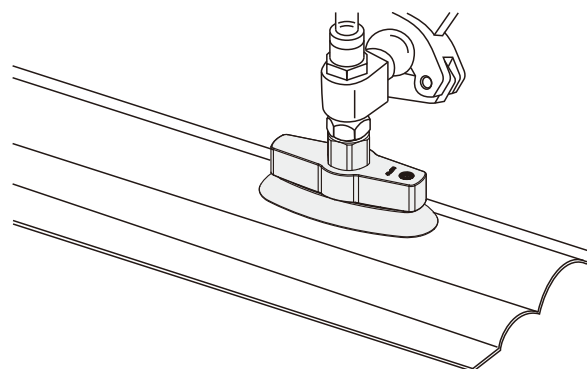
Advantages

- ◇ Easy to fit the workpieces with different shapes of surfaces
- ◇ Long lifetime, excellent wear resistance, ozone resistance, oil resistance
- ◇ Effectively increase friction force between suction cups and workpieces
- ◇ The parts can be recycled
- ◇ The direction of suction cup can be accurately positioned according to workpiece shape
- ◇ Suitable for workpieces with different sizes and shapes



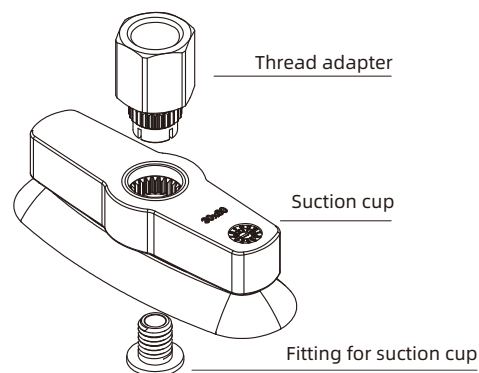
Applications

- ◇ Handling of oval workpiece with curved surface
- ◇ Handling long and narrow or cylindrical workpieces



Structure

- ◇ Split structure design, wearing parts can be replaced separately



SOM Series

Oval Flat Suction Cup Special for Long and Narrow Objects

How to order

SOM 30×80 U - G2F
 ① ② ③ ④

Series	Size	Material & Hardness	Connection thread
SOM	20×60	U - PU	70
	30×80		
	40×100		
			Nil - Suction cup only
			G2F - G1/4 female thread
			G3F - G3/8 female thread
			G2M - G1/4 male thread
		M10M - M10×1.5 male thread	
		M14M - M14×1.5 male thread	
		RA - Rectangular adapter	

Selection

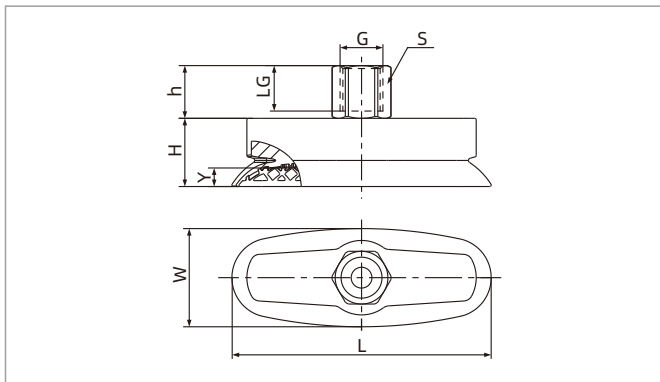
Model	Connection thread					
	G2M	M10M	M14M	G2F	G3F	RA
SOM20×60U	SOM20×60U-G2M	SOM20×60U-M10M	SOM20×60U-M14M	SOM20×60U-G2F	-	SOM20×60U-RA
SOM30×80U	SOM30×80U-G2M	SOM30×80U-M10M	SOM30×80U-M14M	SOM30×80U-G2F	-	SOM30×80U-RA
SOM40×100U	SOM40×100U-G2M	SOM40×100U-M10M	SOM40×100U-M14M	-	SOM40×100U-G3F	SOM40×100U-RA

Technical parameters

Model	Vertical pull-out force N	Lateral pull-out force N	Lateral pull-out force (Oily surface)N	Inner volume cm ³	Min curve radius of workpiece mm	Weight g	Recommended hose dia. mm	MPQ pcs
SOM20×60U	61	44	44	5	10	14	8	1
SOM30×80U	116	110	110	12	20	24.4	8	1
SOM40×100U	187	135	135	25	32	50.6	8	1

◇ Note: Testing vacuum level -60kPa, workpiece with smooth and clean surface. The data of pull-out force as above are figured out without considering safety factor. The data may be different according to different workpiece surfaces.

Dimensions(mm)



Model/Size	L	W	H	G	h	LG	S	Y
SOM20×60U-G2F	63.5	20.5	22	G1/4	17	12	17	5
SOM30×80U-G2F	83.5	31.5	22	G1/4	17	12	17	6
SOM40×100U-G3F	103.5	43.5	29	G3/8	17	12	22	7

F - Female thread connection

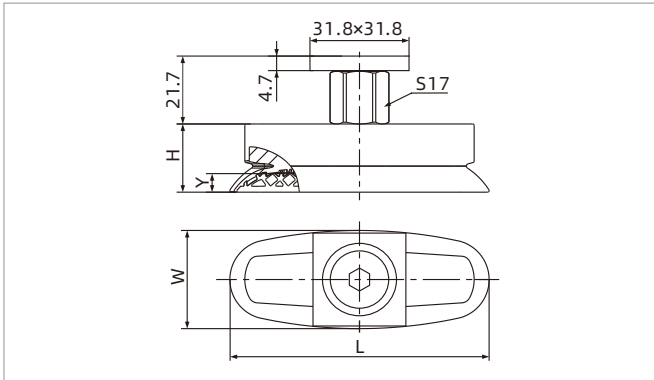
Vacuum Generator
Suction Cup
Special Vacuum Gripper
Vacuum Gripper
Mounting Parts
Vacuum Accessories

SOM Series

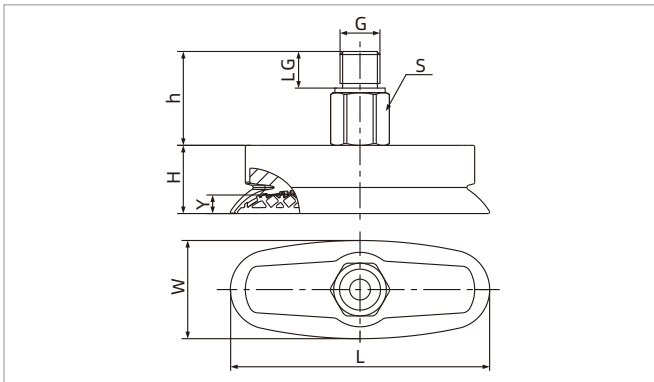


Oval Flat Suction Cup Special for Long and Narrow Objects

Dimensions(mm)



RA - Rectangular adapter



M - Male thread connection

◇ Note: The dimensional tolerance conforms to GBT3672.1-2002-1 M3 rubber product dimensional tolerance standard

Model/Size	L	W	H	Y
SOM20×60U-RA	63.5	20.5	22	5
SOM30×80U-RA	83.5	31.5	22	6
SOM40×100U-RA	103.5	43.5	29	7

Model/Size	L	W	H	G	h	LG	S	Y
SOM20×60U-G2M	63.5	20.5	22	G1/4	28	9	17	5
SOM20×60U-M10M	63.5	20.5	22	M10×1.5	30.5	11	17	5
SOM20×60U-M14M	63.5	20.5	22	M14×1.5	30.5	11	17	5
SOM30×80U-G2M	83.5	31.5	22	G1/4	28	9	17	6
SOM30×80U-M10M	83.5	31.5	22	M10×1.5	30.5	11	17	6
SOM30×80U-M14M	83.5	31.5	22	M14×1.5	30.5	11	17	6
SOM40×100U-G2M	103.5	43.5	29	G1/4	28	9	22	7
SOM40×100U-M10M	103.5	43.5	29	M10×1.5	30.5	11	22	7
SOM40×100U-M14M	103.5	43.5	29	M14×1.5	30.5	11	22	7

SDM Series

Flat Suction Cup Special for Metal Sheet



METAL SHEET



SLIPPING RESISTANCE



OILY SURFACE

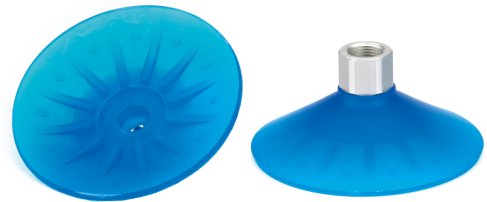


Features

- ◇ PU material
- ◇ Thicken the wall thickness, internal reinforced rib structure design

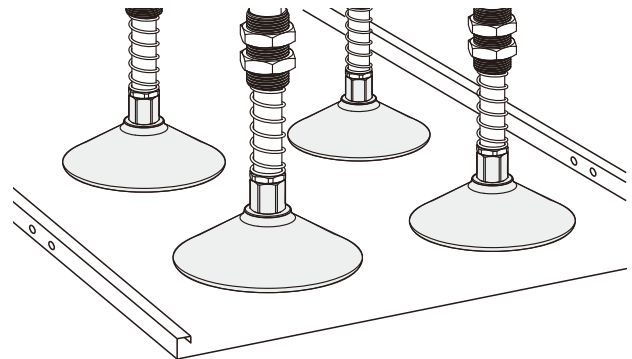
Advantages

- ◇ Long lifetime, excellent wear resistance, ozone resistance, oil resistance
- ◇ Effectively prevent deformation of metal sheet during handling



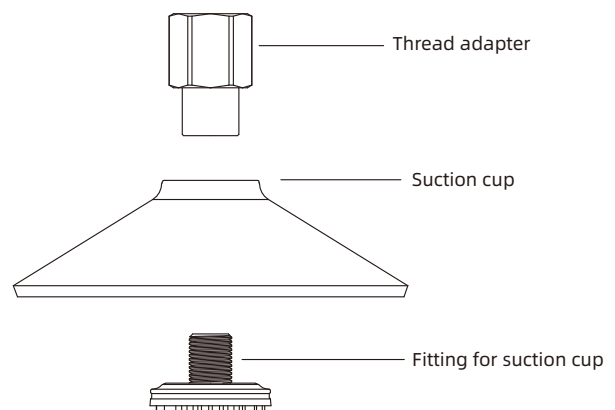
Applications

- ◇ Handling metal sheet and aluminum plate without deformation



Structure

- ◇ Split structure design, wearing parts can be replaced separately



SDM Series

Flat Suction Cup Special for Metal Sheet

How to order

SDM 100 U - G3F

① ② ③ ④

Series	Diameter	Material & Hardness	Connection thread
SDM	100 - ϕ 100mm	U - PU 70	Nil - Suction cup only G2F - G1/4 female thread G3F - G3/8 female thread

Selection

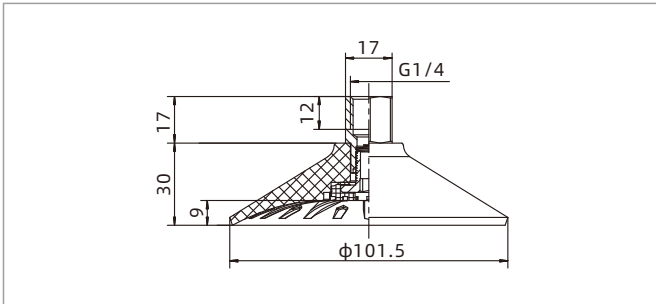
Model	Connection thread G2F	G3F
SDM100U	SDM100U-G2F	SDM100U-G3F

Technical parameters

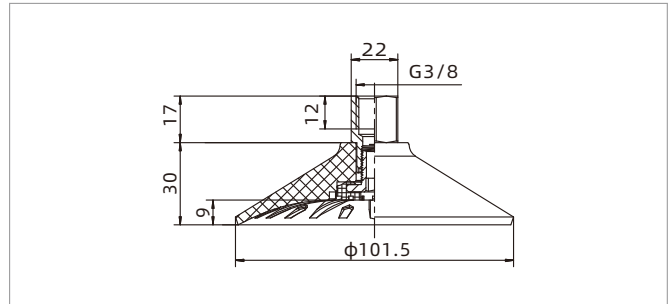
Model	Pull-out force N	Inner volume cm ³	Min.curve radius of workpiece mm	Weight g	Recommended hose dia. mm	MPQ pcs
SDM100	375	56	160	62	8	1

◇ Note: Testing vacuum level -60kPa, workpiece with smooth and clean surface. The data of pull-out force as above are figured out without considering safety factor. The data may be different according to different workpiece surfaces.

Dimensions(mm)



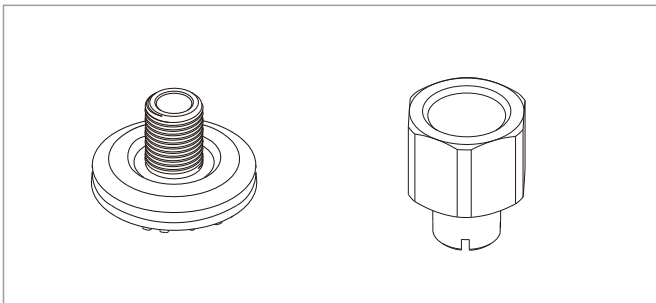
SDM100U-G2F



SDM100U-G3F

◇ Note: The dimensional tolerance conforms to GB/T3672.1-2002-1 M3 rubber product dimensional tolerance standard

Mounting parts



PJS - Fitting for suction cup

PJT - Thread adapter

Item	Model	Applicable suction cup
Fitting for suction cup	PJS-G1M-SFM80	SDM100
Thread adapter	PJT-G1F-G2F	SDM100
	PJT-G1F-G3F	SDM100

SFK Series

Flat Suction Cup Special for Objects with Rough Surface



Features

- ◇ Sealing ring is made of flexible EPDM foam rubber
- ◇ Internal large area support structure
- ◇ Small inner volume
- ◇ Various sizes are available

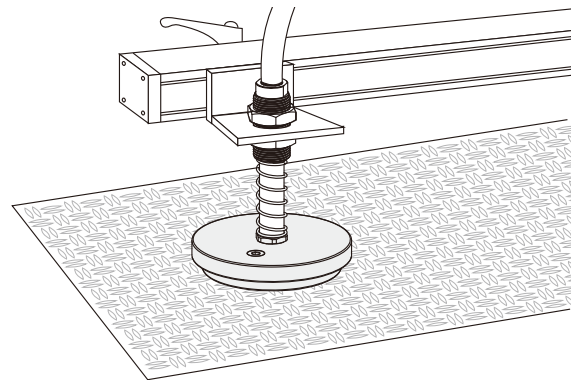
Advantages

- ◇ Suitable for workpieces with rough or uneven surfaces
- ◇ Slipping resistance. Prevent thin workpiece from permanent deformation
- ◇ Short work cycle
- ◇ Suitable for workpieces with different sizes and shapes



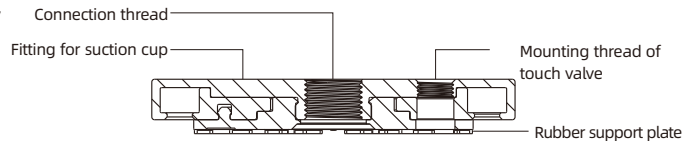
Applications

- ◇ Handling workpieces with uneven surfaces, such as embossed steel plate, decorative glass, rough slate, wooden plate, etc.
- ◇ Touch valve is optional, which will close vacuum chamber when it detects that suction cups do not contact workpieces, in order to avoid vacuum leakage

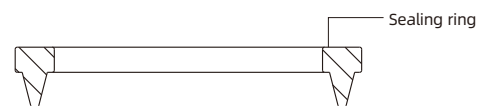


Structure

- ◇ Split structure design, wearing parts can be replaced separately
- ◇ Separate functional port is equipped



- ◇ Note: The functional threaded hole is sealed with a plug when delivered. Seal the thread with thread glue or raw tape when connecting



How to order

SFK 110 E - G4F - V
 ① ② ③ ④ ⑤

Series	Diameter	Material & Hardness	Connection thread	⑤ Special specification
SFK	110 - ϕ 110mm	E - EPDM	20	Nil - Sealing ring only G4F - G1/2 female thread
	160 - ϕ 160mm			
	200 - ϕ 200mm			
	250 - ϕ 250mm			

Selection

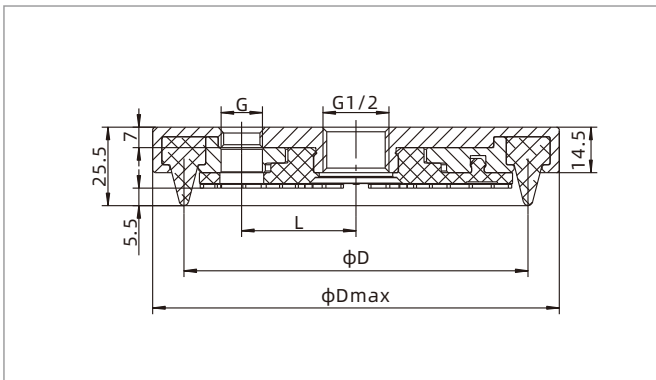
Model	Connection thread F - Female thread	
SFK110E	SFK110E-G4F	SFK110E-G4F-V
SFK160E	SFK160E-G4F	SFK160E-G4F-V
SFK200E	SFK200E-G4F	SFK200E-G4F-V
SFK250E	SFK250E-G4F	SFK250E-G4F-V

Technical parameters

Model	Pull-out force N	Inner volume cm ³	Min.curve radius of workpiece mm	Weight g	Recommended hose dia. mm	MPQ pcs
SFK110	480	70	300	465	10	1
SFK160	1080	145	600	935	10	1
SFK200	1800	225	1000	1445	12	1
SFK250	2800	360	1500	2225	12	1

◇ Note: Testing vacuum level -60kPa, workpiece with smooth and clean surface. The data of pull-out force as above are figured out without considering safety factor. The data may be different according to different workpiece surfaces. Recommend the length of vacuum hose to be as short as possible, max 2m.

Dimensions(mm)



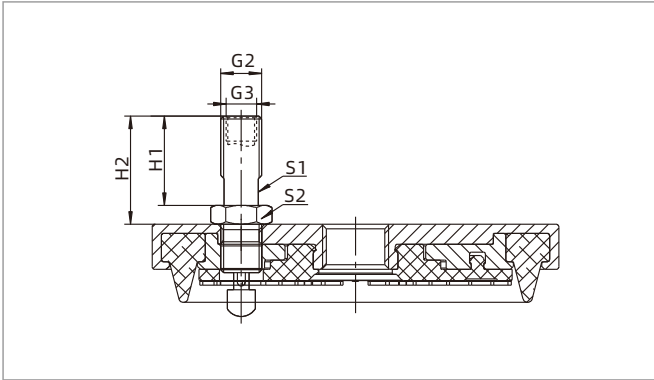
Model/Size	Dmax	D	G	L
SFK110E-G4F	130	110	G1/4	36.5
SFK160E-G4F	179	160	G1/4	36.5
SFK200E-G4F	219	200	G1/2	76
SFK250E-G4F	269	250	G1/2	76

SFK110-250

SFK Series

Flat Suction Cup Special for Objects with Rough Surface

Dimensions(mm)



SFK110-250

Model/Size	G2	G3	H1	H2	S1	S2
SFK110E-G4F-V	G1/4	G1/8	27.5	33.5	11	17
SFK160E-G4F-V	G1/4	G1/8	27.5	33.5	11	17
SFK200E-G4F-V	G1/2	G3/8	29.5	37.5	19	27
SFK250E-G4F-V	G1/2	G3/8	29.5	37.5	19	27

- ◇ Note: 1. The dimensional tolerance conforms to GB/T3672.1-2002-1 M3 rubber product dimensional tolerance standard
 2. The height of the touch valve contact beyond the suction cup lip can be adjusted by itself according to the actual application. Locking the nut after height position is determined. Applicable thread sealant should be applied to the thread connection of touch valve and fitting for suction cup

Accessories

Item	Model	Applicable suction cup
Touch valve	ZVD-G2M	SFK110,160
	ZVD-G4M	SFK200,250

PSPT Series

Universal Level Compensator



UNIVERSAL



Features

- ◇ Oilless, wear-resistant bushing is built in the guide sleeve
- ◇ Built-in buffer spring and external buffer spring
- ◇ Various buffer stroke specifications are available
- ◇ Light duty and heavy duty can be selected

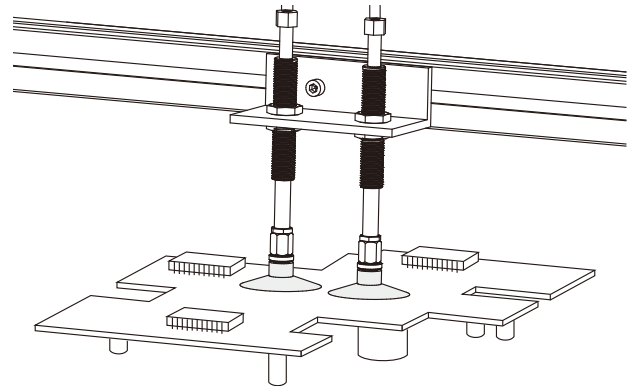
Advantages

- ◇ Improve the lifetime of the products and reduce the noise of the products
- ◇ Flexible contact with fragile workpieces, compensate the height difference of workpieces
- ◇ Suitable for various working conditions



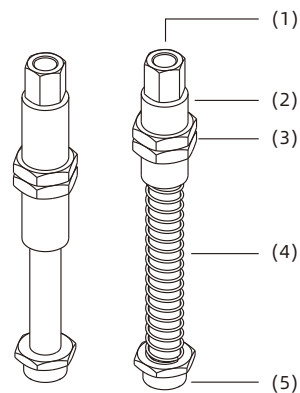
Applications

- ◇ Suitable for handling workpieces with height difference
- ◇ Handle parts sensitive to pressure with flexible contact
- ◇ All kinds of connection specifications, universal type, suitable for various industries



Structure

- ◇ (1) Vacuum generator connection
- ◇ (2) Guide sleeve
- ◇ (3) Mounting nut
- ◇ (4) Spring
- ◇ (5) Suction cup connection



PSPT Series

Universal Level Compensator

How to order

PSPT - I 10 LM5 G1M - M16 - H
 ① ② ③ ④ ⑤ ⑥ ⑦

① Series	② Buffer type	③ Buffer stroke	④ Rotary type	⑤ Suction cup connection	⑥ Mounting thread	⑦ Heavy load
PSPT	I - Built-in spring	10 60	Nil - Vertical rotating	G1F - G1/8 female thread	M16 - M16×1	Nil - Standard
	E - External spring	20 75	R - Vertical non-rotating	G2F - G1/4 female thread	M18 - M18×1	H - Heavy load
		30 90	LM5 - Lateral rotating	G1M - G1/8 male thread		
		50 110		G2M - G1/4 male thread		
				G3M - G3/8 male thread		

Selection

Model/Connection thread G1M	LM5G1M	G1F	G2F	
PSPT-I10G1M-M16	PSPT-I10LM5G1M-M16	PSPT-I10G1F-M16	PSPT-I10G2F-M18	PSPT-I10G2F-M18-H
PSPT-I20G1M-M16	PSPT-I20LM5G1M-M16	PSPT-I20G1F-M16	PSPT-I20G2F-M18	PSPT-I20G2F-M18-H
PSPT-I30G1M-M16	PSPT-I30LM5G1M-M16	PSPT-I30G1F-M16	PSPT-I30G2F-M18	PSPT-I30G2F-M18-H
PSPT-I50G1M-M16	PSPT-I50LM5G1M-M16	PSPT-I50G1F-M16	PSPT-I50G2F-M18	PSPT-I50G2F-M18-H

Model/Connection thread G2M			RG2M	RG3M
PSPT-I10G2M-M18	PSPT-E60G2M-M18	PSPT-I10G2M-M18-H	PSPT-I10RG2M-M18	PSPT-I10RG3M-M18
PSPT-I20G2M-M18	PSPT-E75G2M-M18	PSPT-I20G2M-M18-H	PSPT-I20RG2M-M18	PSPT-I20RG3M-M18
PSPT-I30G2M-M18	PSPT-E90G2M-M18	PSPT-I30G2M-M18-H	PSPT-I30RG2M-M18	PSPT-I30RG3M-M18
PSPT-I50G2M-M18	PSPT-E110G2M-M18	PSPT-I50G2M-M18-H	PSPT-I50RG2M-M18	PSPT-I50RG3M-M18

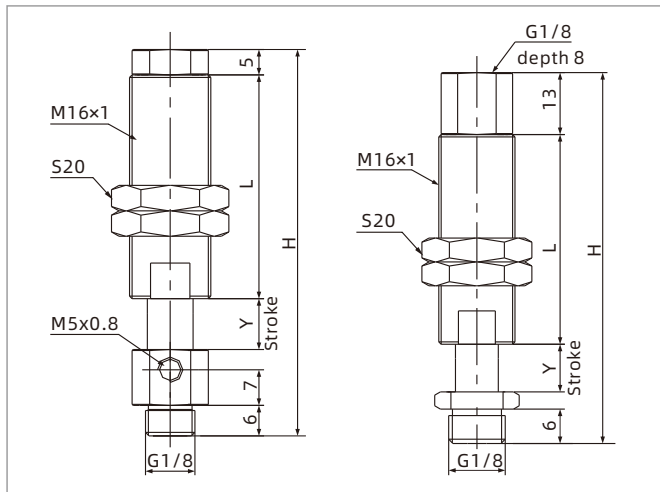
Model/Connection thread G3M		
PSPT-I10G3M-M18	PSPT-E60G3M-M18	PSPT-I10G3M-M18-H
PSPT-I20G3M-M18	PSPT-E75G3M-M18	PSPT-I20G3M-M18-H
PSPT-I30G3M-M18	PSPT-E90G3M-M18	PSPT-I30G3M-M18-H
PSPT-I50G3M-M18	PSPT-E110G3M-M18	PSPT-I50G3M-M18-H

◇ Note: It is suggested that the actual working compressed stroke of level compensator should not exceed 50% of its max. compressed stroke

PSPT Series

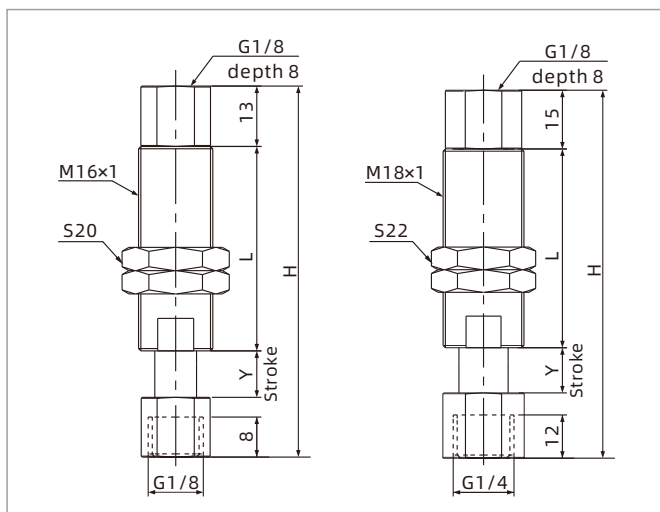
Universal Level Compensator

Dimensions(mm)



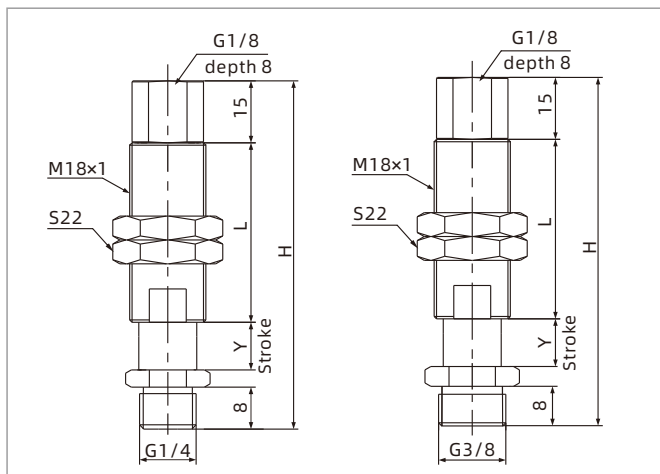
PSPT-I□LM5G1M-M16

PSPT-I□G1M-M16



PSPT-I□G1F-M16

PSPT-I□G2F-M18



PSPT-I□G2M-M18

PSPT-I□G3M-M18

Model/Size	H	L	Y	Weight g	F1 N	F2 N
PSPT-I10LM5G1M-M16	76	44	10	71	2.0	5.5
PSPT-I20LM5G1M-M16	86	44	20	89	2.0	5.5
PSPT-I30LM5G1M-M16	96	44	30	102	2.0	5.5
PSPT-I50LM5G1M-M16	147	75	50	135	2.0	5.5
PSPT-I10G1M-M16	76	44	10	80	2.0	5.5
PSPT-I20G1M-M16	86	44	20	85	2.0	5.5
PSPT-I30G1M-M16	96	44	30	107	2.0	5.5
PSPT-I50G1M-M16	147	75	50	132	2.0	5.5

◇ Note: "F1" means spring force at 0 stroke
"F2" means spring force at max. stroke

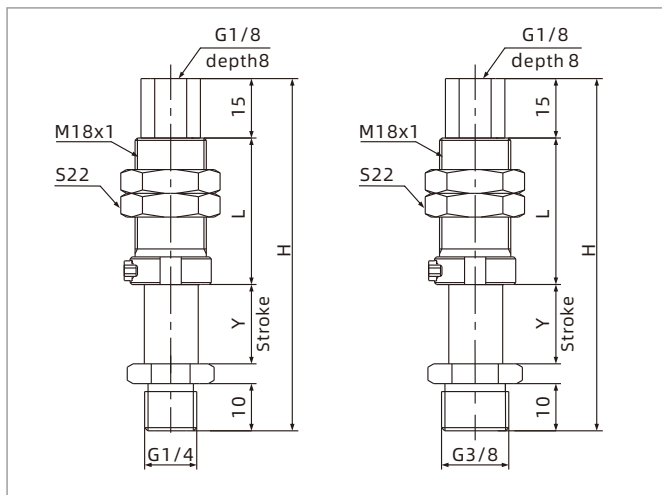
Model/Size	H	L	Y	Weight g	F1 N	F2 N
PSPT-I10G1F-M16	80	44	10	85	2.0	5.5
PSPT-I20G1F-M16	90	44	20	90	2.0	5.5
PSPT-I30G1F-M16	100	44	30	108	2.0	5.5
PSPT-I50G1F-M16	151	75	50	135	2.0	5.5
PSPT-I10G2F-M18	70.5	28	10	93	4.0	7.0
PSPT-I20G2F-M18	90.5	38	20	108	4.0	7.0
PSPT-I30G2F-M18	110.5	48	30	121	4.0	7.0
PSPT-I50G2F-M18	150.5	68	50	151	4.0	7.0
PSPT-I10G2F-M18-H	70.5	28	10	93	9.0	27.0
PSPT-I20G2F-M18-H	90.5	38	20	108	9.0	27.0
PSPT-I30G2F-M18-H	110.5	48	30	121	9.0	27.0
PSPT-I50G2F-M18-H	150.5	68	50	151	9.0	27.0

Model/Size	H	L	Y	Weight g	F1 N	F2 N
PSPT-I10G2M-M18	65	28	10	103	4.0	7.0
PSPT-I20G2M-M18	85	38	20	117	4.0	7.0
PSPT-I30G2M-M18	105	48	30	135	4.0	7.0
PSPT-I50G2M-M18	145	68	50	169	4.0	7.0
PSPT-I10G3M-M18	65	28	10	105	4.0	7.0
PSPT-I20G3M-M18	85	38	20	123	4.0	7.0
PSPT-I30G3M-M18	105	48	30	142	4.0	7.0
PSPT-I50G3M-M18	145	68	50	177	4.0	7.0

PSPT Series

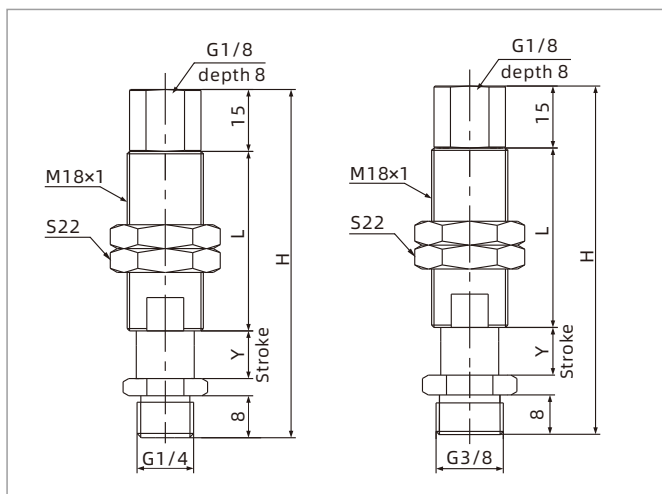
Universal Level Compensator

Dimensions(mm)



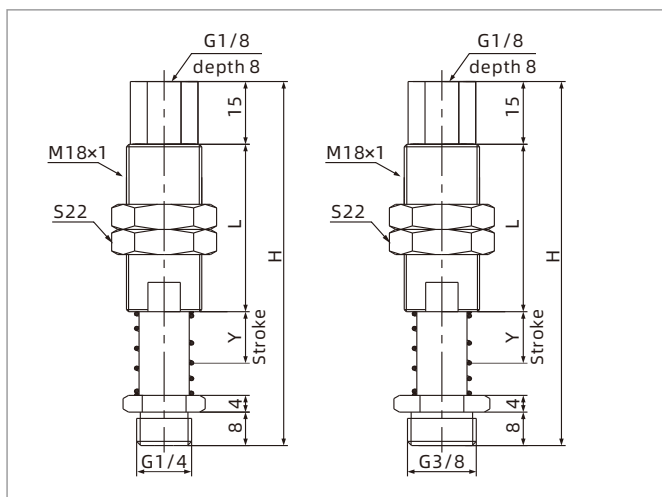
PSPT-I□RG2M-M18

PSPT-I□RG3M-M18



PSPT-I□G2M-M18-H

PSPT-I□G3M-M18-H



PSPT-E□G2M-M18

PSPT-E□G3M-M18

Model/Size	H	L	Y	Weight g	F1 N	F2 N
PSPT-I10RG2M-M18	70	30	10	103	4.0	7.0
PSPT-I20RG2M-M18	90	40	20	117	4.0	7.0
PSPT-I30RG2M-M18	110	50	30	135	4.0	7.0
PSPT-I50RG2M-M18	150	70	50	169	4.0	7.0
PSPT-I10RG3M-M18	70	30	10	105	4.0	7.0
PSPT-I20RG3M-M18	90	40	20	123	4.0	7.0
PSPT-I30RG3M-M18	110	50	30	142	4.0	7.0
PSPT-I50RG3M-M18	150	70	50	177	4.0	7.0

◇ Note: "F1" means spring force at 0 stroke
"F2" means spring force at max. stroke

Model/Size	H	L	Y	Weight g	F1 N	F2 N
PSPT-I10G2M-M18-H	65	28	10	103	9.0	27.0
PSPT-I20G2M-M18-H	85	38	20	117	9.0	27.0
PSPT-I30G2M-M18-H	105	48	30	135	9.0	27.0
PSPT-I50G2M-M18-H	145	68	50	169	9.0	27.0
PSPT-I10G3M-M18-H	65	28	10	105	9.0	27.0
PSPT-I20G3M-M18-H	85	38	20	123	9.0	27.0
PSPT-I30G3M-M18-H	105	48	30	142	9.0	27.0
PSPT-I50G3M-M18-H	145	68	50	177	9.0	27.0

Model/Size	H	L	Y	Weight g	F1 N	F2 N
PSPT-E60G2M-M18	150	40	60	171	4.5	17.0
PSPT-E75G2M-M18	170	40	75	185	4.5	17.0
PSPT-E90G2M-M18	185	40	90	196	4.5	17.0
PSPT-E110G2M-M18	205	40	110	216	4.5	17.0
PSPT-E60G3M-M18	150	40	60	176	4.5	17.0
PSPT-E75G3M-M18	170	40	75	192	4.5	17.0
PSPT-E90G3M-M18	185	40	90	205	4.5	17.0
PSPT-E110G3M-M18	205	40	110	221	4.5	17.0

◇ Note: "F1" means spring force at 0 stroke,
"F2" means spring force at max. stroke

PSPH Series

Heavy-duty Level Compensator

AIRBEST



UNIVERSAL



HEAVY LOAD

RoHS

Features

- ◇ Oilless, wear-resistant bushing is built in the guide sleeve
- ◇ Heavy duty external buffer spring
- ◇ Non-rotating type can be selected
- ◇ Various buffer stroke specifications are available
- ◇ Suitable for heavy duty working condition

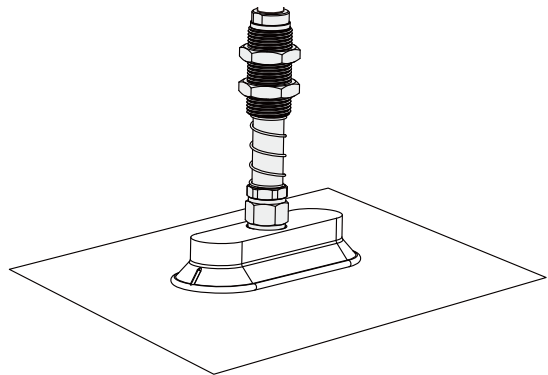
Advantages

- ◇ Reduce product wear, improve the lifetime of the products and reduce the noise
- ◇ Suitable for the workpieces with uneven surface and working conditions which need height compensation
- ◇ Suitable for precise positioning of oval suction cup
- ◇ Suitable for various working conditions



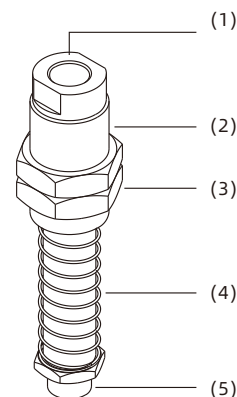
Applications

- ◇ Suitable for handling workpieces with height difference
- ◇ Suitable for working condition which needs shock absorption when handling objects
- ◇ Suitable for working condition that is with short working period and fast handling
- ◇ Non-rotating level compensator is suitable for oval suction cup
- ◇ Especially suitable for handling in automotive industry



Structure

- ◇ (1) Vacuum generator connection
- ◇ (2) Guide sleeve
- ◇ (3) Mounting nut
- ◇ (4) Guide rod
- ◇ (5) Suction cup connection



PSPH Series

Heavy-duty Level Compensator

How to order

PSPH - E 25 R G3M - M30
 ① ② ③ ④ ⑤ ⑥

① Series	② Buffer type	③ Buffer stroke	④ Rotary type	⑤ Suction cup connection	⑥ Mounting thread
PSPH	E - External spring	25	Nil - Vertical rotating	G2M - G1/4 male thread	M20 - M20×1.5
		50	R - Vertical non-rotating	G3M - G3/8 male thread	M30 - M30×1.5
		75		G4M - G1/2 male thread	
		90			

Selection

Model/Connection thread G2M	RG2M	G3M	RG3M	G4M	RG4M
PSPH-E25G2M-M20	PSPH-E25RG2M-M20	PSPH-E25G3M-M30	PSPH-E25RG3M-M30	PSPH-E25G4M-M30	PSPH-E25RG4M-M30
PSPH-E50G2M-M20	PSPH-E50RG2M-M20	PSPH-E50G3M-M30	PSPH-E50RG3M-M30	PSPH-E50G4M-M30	PSPH-E50RG4M-M30
PSPH-E75G2M-M20	PSPH-E75RG2M-M20	PSPH-E75G3M-M30	PSPH-E75RG3M-M30	PSPH-E75G4M-M30	PSPH-E75RG4M-M30
PSPH-E90G2M-M20	PSPH-E90RG2M-M20	PSPH-E90G3M-M30	PSPH-E90RG3M-M30	PSPH-E90G4M-M30	PSPH-E90RG4M-M30

Technical parameters

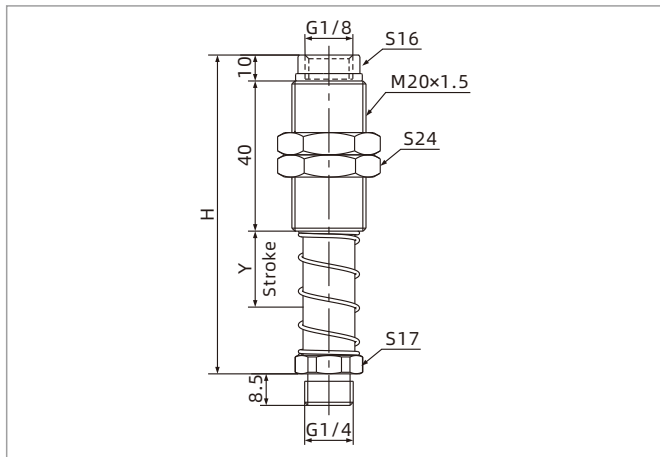
Model	Pretightening force(1) N	Elastic force(2) N	Vertical load(3) N	Working temperature °C	Weight g
PSPH-E25(R)G2M-M20	7.5	15.8	2,400	0~80	148
PSPH-E50(R)G2M-M20	14.4	20	2,400	0~80	174
PSPH-E75(R)G2M-M20	6	16	2,400	0~80	198
PSPH-E90(R)G2M-M20	6	15.7	1,500	0~80	210
PSPH-E25(R)G3M-M30	19.4	73	4,800	0~80	408
PSPH-E50(R)G3M-M30	24.7	78.5	4,800	0~80	483
PSPH-E75(R)G3M-M30	39	79.6	4,800	0~80	561
PSPH-E90(R)G3M-M30	26.4	74.5	4,800	0~80	580
PSPH-E25(R)G4M-M30	19.4	73	4,800	0~80	408
PSPH-E50(R)G4M-M30	24.7	78.5	4,800	0~80	483
PSPH-E75(R)G4M-M30	39	79.6	4,800	0~80	561
PSPH-E90(R)G4M-M30	26.4	74.5	4,800	0~80	580

- ◇ Note: 1. Pretightening force is spring elastic force when spring is compressed in nature state
 2. Elastic force is spring elastic force when level compensator is compressed in 50% stroke, it is suggested that the actual working compressed stroke of level compensator should not exceed 50% of its max. compressed stroke
 3. Vertical load refers to the max. vertical tension that the level compensator can bear in static state
 4. When the level compensator is installed horizontally, the workpiece will produce gravity perpendicular to the direction of the level compensator, If the gravity is larger than the horizontal load range, the spring may get stuck

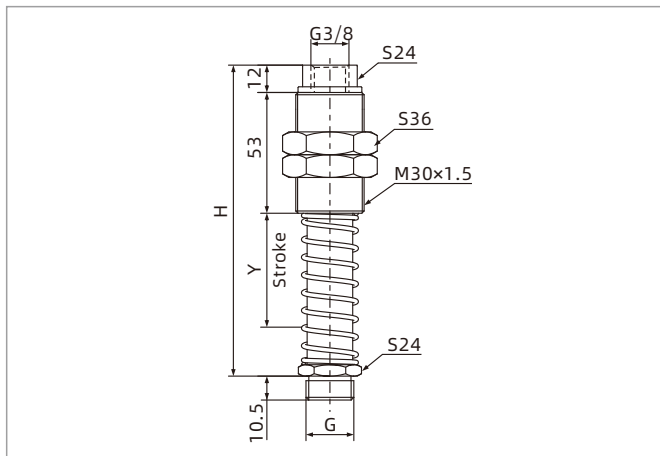
PSPH Series

Heavy-duty Level Compensator

Dimensions(mm)



PSPH-E□(R)G2M-M20



PSPH-E□(R)G3M-M30 PSPH-E□(R)G4M-M30

Model/Size	H	Y
PSPH-E25(R)G2M-M20	86	25
PSPH-E50(R)G2M-M20	114.5	50
PSPH-E75(R)G2M-M20	145	75
PSPH-E90(R)G2M-M20	160	90

Model/Size	H	G	Y
PSPH-E25(R)G3M-M30	105.5	G3/8	25
PSPH-E50(R)G3M-M30	135.5	G3/8	50
PSPH-E75(R)G3M-M30	176.5	G3/8	75
PSPH-E90(R)G3M-M30	188.5	G3/8	90
PSPH-E25(R)G4M-M30	105.5	G1/2	25
PSPH-E50(R)G4M-M30	135.5	G1/2	50
PSPH-E75(R)G4M-M30	176.5	G1/2	75
PSPH-E90(R)G4M-M30	188.5	G1/2	90

PSPD Series

Double Springs Heavy-duty Level Compensator



UNIVERSAL



HEAVY LOAD

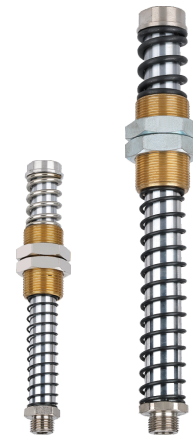


Features

- ◇ Oilless, wear-resistant bushing is built in the guide sleeve
- ◇ With double buffer springs
- ◇ Non-rotating type can be selected
- ◇ Various buffer stroke specifications are available

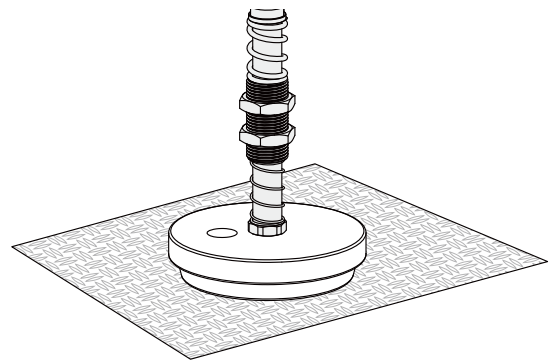
Advantages

- ◇ Reduce product wear, improve the lifetime of the products and reduce the noise
- ◇ Flexible contact with fragile workpieces, compensate the height difference of workpieces
- ◇ Suitable for precise positioning of oval suction cup
- ◇ Suitable for various working conditions



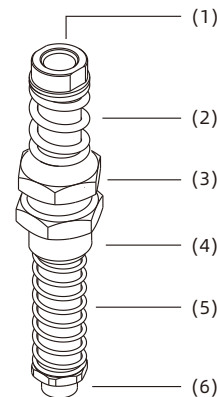
Applications

- ◇ Suitable for handling heavy workpieces, such as steel plate
- ◇ Suitable for the working conditions that need flexible contact and shock absorption when carrying objects, such as glass
- ◇ Suitable for use in harsh environment
- ◇ Non-rotating level compensator is suitable for oval suction cup
- ◇ Double spring buffer structure can prevent the impact on the support rod end when handling the workpiece and turning it over



Structure

- ◇ (1) Vacuum generator connection
- ◇ (2) Spring
- ◇ (3) Mounting nut
- ◇ (4) Guide sleeve
- ◇ (5) Spring
- ◇ (6) Suction cup connection



Vacuum Generator

Suction Cup

Special Vacuum Gripper

Vacuum Gripper

Mounting Parts

Vacuum Accessories

Double Springs Heavy-duty Level Compensator

How to order

PSPD - E 25 R G3M - M30
 ① ② ③ ④ ⑤ ⑥

① Series	② Buffer type	③ Buffer stroke	④ Rotary type	⑤ Suction cup connection	⑥ Mounting thread
PSPD	E - External spring	25	Nil - Vertical rotating	G2M - G1/4 male thread	M20 - M20×1.5
		50	R - Vertical non-rotating	G3M - G3/8 male thread	M30 - M30×1.5
		90		G4M - G1/2 male thread	

Selection

Model/Connection thread		G3M	RG3M	G4M	RG4M
G2M	RG2M				
PSPD-E25G2M-M20	PSPH-E25RG2M-M20	PSPD-E25G3M-M30	PSPD-E25RG3M-M30	PSPD-E25G4M-M30	PSPD-E25RG4M-M30
PSPD-E50G2M-M20	PSPH-E50RG2M-M20	PSPD-E50G3M-M30	PSPD-E50RG3M-M30	PSPD-E50G4M-M30	PSPD-E50RG4M-M30
-	-	PSPD-E90G3M-M30	PSPD-E90RG3M-M30	PSPD-E90G4M-M30	PSPD-E90RG4M-M30

Technical parameters

Model	Pretightening force(1) N	Elastic force(2) N	Vertical load(3) N	Working temperature °C	Weight g
PSPD-E25(R)G2M-M20	8.6	16.8	2,400	0~80	181
PSPD-E50(R)G2M-M20	14.4	21	2,400	0~80	207
PSPD-E25(R)G3M-M30	24	74.5	4,800	0~80	507
PSPD-E50(R)G3M-M30	7.5	61	4,800	0~80	600
PSPD-E90(R)G3M-M30	25.2	73.7	4,800	0~80	754
PSPD-E25(R)G4M-M30	24	74.5	4,800	0~80	515
PSPD-E50(R)G4M-M30	7.5	61	4,800	0~80	608
PSPD-E90(R)G4M-M30	25.2	73.7	4,800	0~80	762

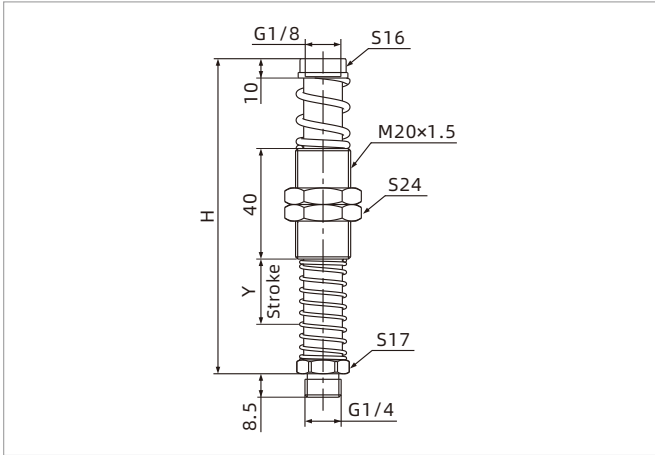
- ◇ Note: 1. Pretightening force is spring elastic force when spring is compressed in nature state
2. Elastic force is spring elastic force when level compensator is compressed in 50% stroke, it is suggested that the actual working compressed stroke of level compensator does not exceed 50% of its max. compressed stroke
3. Vertical load refers to the max. vertical tension that the level compensator can bear in static state
4. When the level compensator is installed horizontally, the workpiece will produce gravity perpendicular to the direction of the level compensator, If the gravity is bigger than the horizontal load range, the spring may get stuck

PSPD Series

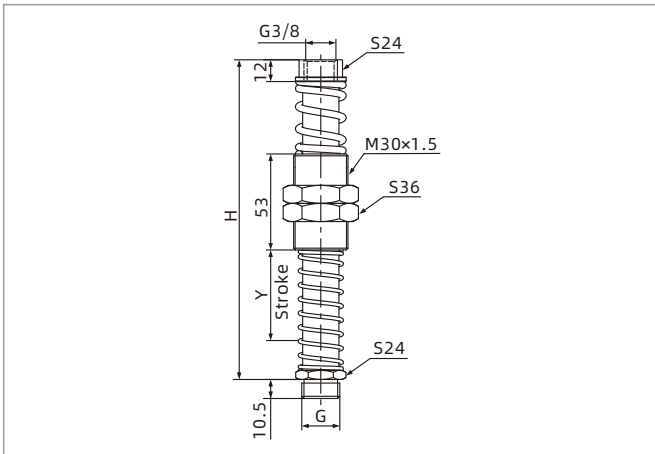


Double Springs Heavy-duty Level Compensator

Dimensions(mm)



PSPD-E□(R)G2M-M20



PSPD-E□(R)G3M-M30 PSPD-E□(R)G4M-M30

Model/Size	H	Y
PSPD-E25(R)G2M-M20	114.5	25
PSPD-E50(R)G2M-M20	144	50

Model/Size	H	G	Y
PSPD-E25(R)G3M-M30	146.5	G3/8	25
PSPD-E50(R)G3M-M30	176.5	G3/8	50
PSPD-E90(R)G3M-M30	229.5	G3/8	90
PSPD-E25(R)G4M-M30	146.5	G1/2	25
PSPD-E50(R)G4M-M30	176.5	G1/2	50
PSPD-E90(R)G4M-M30	229.5	G1/2	90

Vacuum Generator

Suction Cup

Special Vacuum Gripper

Vacuum Gripper

Mounting Parts

Vacuum Accessories

AIRBEST – A brand by Piab Group



AIRBEST

AIRBEST (CHANGXING)TECHNOLOGY CO.,LTD.

Add: No.809, Changxing Avenue, Changxing Economic
Development Zone, HuZhou, Zhejiang, China 313100

Tel: 86-572-6081777

Fax: 86-572-6532123

E-mail: info-airbest@piab.com Web: www.airbest.com



Airbest Website



Airbest WeChat ID