

AZR Series

Mini Vacuum Generator



ELECTRONICS



PLASTIC

Features

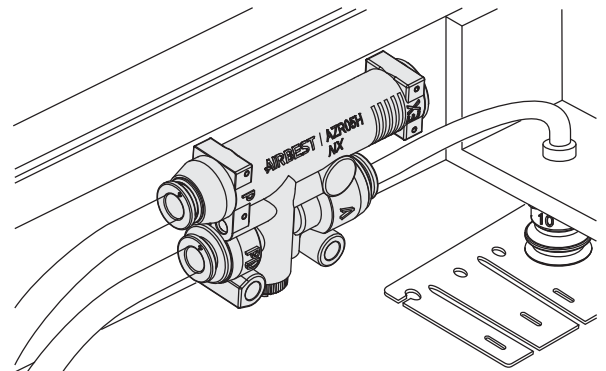
- ◇ Small size, light weight
- ◇ High vacuum level type and large vacuum flow type are optional
- ◇ The generator has vacuum breaking function itself
- ◇ Separate vacuum filter and mounting bracket are optional

Advantages

- ◇ For the occasions with limited installation space and weight
- ◇ It can meet different requirements of vacuum flow in different working conditions
- ◇ There is no need for external control device, can quickly release the product
- ◇ Customers can choose freely according to the actual working conditions

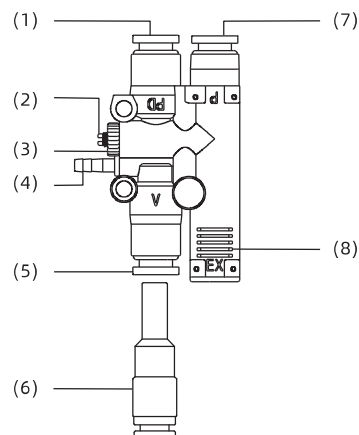
Applications

- ◇ Suitable for handling electronic components and other small workpieces
- ◇ Suitable for working occasions where quick picking and quick release are required



Structure

- ◇ (1) Release port
- ◇ (2) Vacuum release regulating valve
- ◇ (3) Lock nut
- ◇ (4) Vacuum detecting port
- ◇ (5) Vacuum port
- ◇ (6) Vacuum filter
- ◇ (7) Air supply port
- ◇ (8) Exhaust port



AZK

AZX

AZD

AGS

AGB

AGP

AGX

AGE

ABM/ABX

ABM/ABX
Combined Type

AMC

AM/AL/AH

AM/AL
Combined Type

AMD

AZW

AZR

ABT

ABP

ABQ

AEVC

AZL

AZH

AZU

ACV

ASBP

ALS

ACP

ACPF

ACPS

APB

AZR Series

Mini Vacuum Generator



How to order

AZR 07 H - J - V - F

① ② ③ ④ ⑤ ⑥

① Series	② Nozzle Diameter	③ Specification	④ Exhaust way	⑤ Special specification	⑥ Vacuum filter
AZR	05 - ϕ 0.5mm 07 - ϕ 0.7mm	H - High vacuum level type L - Large vacuum flow type	Nil - Direct exhaust J - Centralized exhaust	Nil - Standard type V - Vacuum detecting port	Nil - Standard type F - With vacuum filter

Selection

Model/ Nozzle Diameter	05		07	
AZR□□	AZR05H	AZR05L	AZR07H	AZR07L
AZR□□-J	AZR05H-J	AZR05L-J	AZR07H-J	AZR07L-J
AZR□□-J-F	AZR05H-J-F	AZR05L-J-F	AZR07H-J-F	AZR07L-J-F
AZR□□-J-V	AZR05H-J-V	AZR05L-J-V	AZR07H-J-V	AZR07L-J-V
AZR□□-J-V-F	AZR05H-J-V-F	AZR05L-J-V-F	AZR07H-J-V-F	AZR07L-J-V-F
AZR□□-V	AZR05H-V	AZR05L-V	AZR07H-V	AZR07L-V
AZR□□-V-F	AZR05H-V-F	AZR05L-V-F	AZR07H-V-F	AZR07L-V-F
AZR□□-F	AZR05H-F	AZR05L-F	AZR07H-F	AZR07L-F

Technical parameters

Model	Rated air supply pressure bar	Max. vacuum level -kPa	Max. vacuum flow NL/min	Air consumption NL/min	Noise level dB(A)	Weight g	Air supply port P	Recommended hose dia. mm Vacuum port V
AZR05H	5.0	88	7.0	11	80	19	ϕ 4	ϕ 4
AZR07H	5.0	88	12.5	22	80	20	ϕ 6	ϕ 6
AZR05L	5.0	58	12.0	11	70	19	ϕ 4	ϕ 4
AZR07L	5.0	58	20.0	22	70	20	ϕ 6	ϕ 6

◇ Note: Max. air supply pressure is 6.0 bar.

Vacuum flow(NL/min) at different vacuum levels(-kPa)

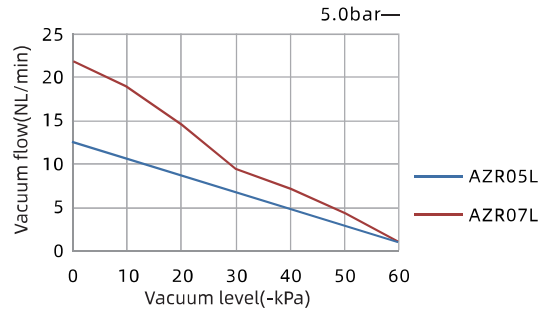
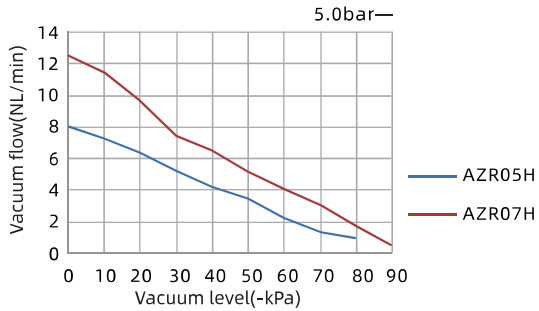
Model	Air supply pressure bar	Air consumption NL/min	0	10	20	30	40	50	60	70	80	Max. vacuum level -kPa
AZR05H	5.0	11	8.0	7.3	6.3	5.2	4.2	3.4	2.2	1.4	1.0	88
AZR07H	5.0	22	12.5	11.5	9.7	7.4	6.5	5.2	4.1	3.0	1.7	88
AZR05L	5.0	11	12.5	10.5	8.7	6.9	5.0	2.9	1.0	-	-	58
AZR07L	5.0	22	22.0	19.1	14.5	9.4	7.2	4.3	1.0	-	-	58

AZR Series

Mini Vacuum Generator

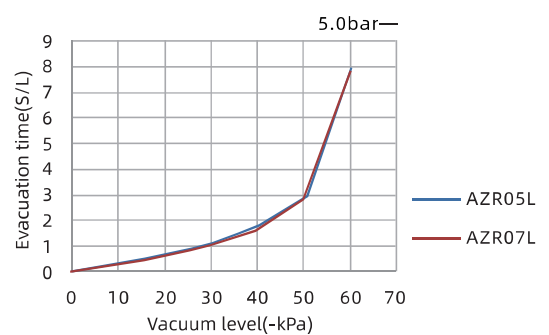
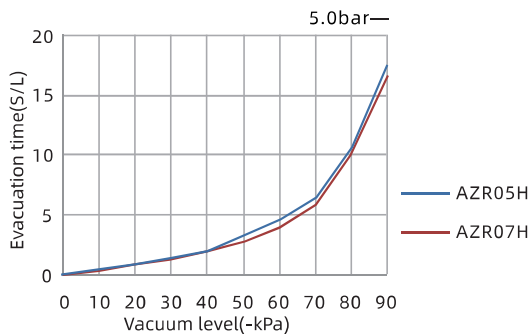


Vacuum flow(NL/min) at different vacuum levels(-kPa)

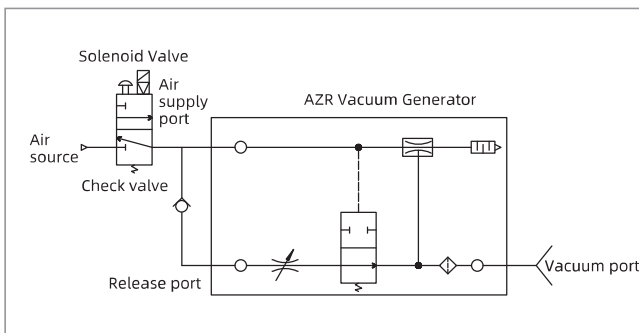


Evacuation time(s/L) to reach different vacuum levels(-kPa)

Model	Air supply pressure bar	Air consumption NL/min	10	20	30	40	50	60	70	80	Max. vacuum level -kPa
AZR05H	5.0	11	0.42	0.83	1.30	1.92	3.2	4.5	6.3	10.5	88
AZR07H	5.0	22	0.34	0.75	1.22	1.87	2.7	3.8	5.7	9.9	88
AZR05L	5.0	11	0.32	0.64	1.06	1.73	2.9	8.2	-	-	58
AZR07L	5.0	22	0.23	0.53	0.93	1.53	2.8	7.8	-	-	58



Air circuit schematic diagram



Vacuum release principle and attentions:

- ◇ 1. Close solenoid valve and stop air supply, open the release valve. The residual positive pressure air in the air circuit between check valve and release port flows into the vacuum circuit to release vacuum
- ◇ 2. Change the tube length between the check valve and release port to adjust the residual positive pressure air volume. In this way, the vacuum releasing time can be adjusted
- ◇ 3. The vacuum releasing flow of this way is small

Vacuum Generator

AZK

AZX

AZD

AGS

AGB

AGP

AGX

AGE

ABM/ABX

ABM/ABX Combined Type

AMC

AM/AL/AH

AM/AL Combined Type

AMD

AZW

AZR

ABT

ABP

ABQ

AEVC

AZL

AZH

AZU

ACV

ASBP

ALS

ACP

ACPF

ACPS

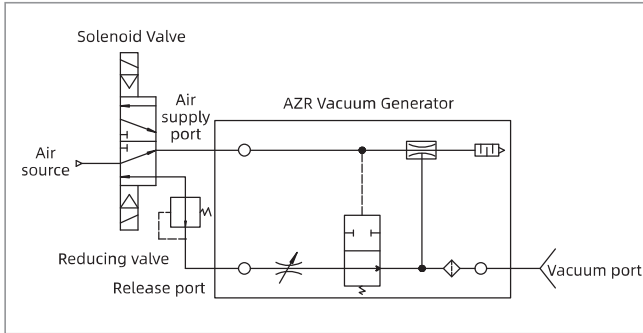
APB

AZR Series

Mini Vacuum Generator



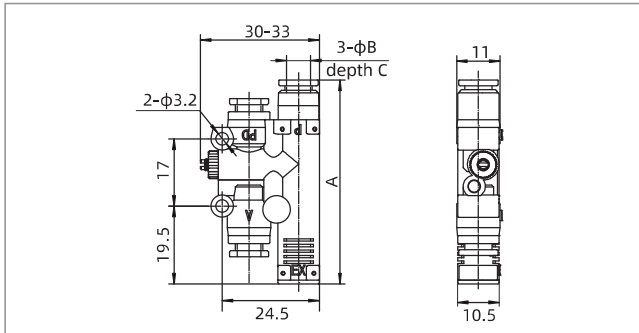
Air circuit schematic diagram



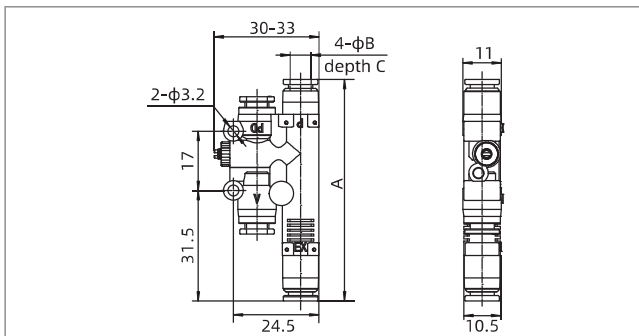
Vacuum release principle and attentions:

- ◇ 1. Close solenoid valve and stop air supply, open the release valve, and the positive pressure air flows directly into the vacuum circuit to release the vacuum
- ◇ 2. Can adjust the vacuum releasing time through controlling the air supply time of solenoid valve
- ◇ 3. Adjust the air releasing pressure through the reducing valve to avoid excessive pressure blowing away the workpiece
- ◇ 4. The air releasing pressure must be lower than air supply pressure of vacuum generator
- ◇ 5. The releasing flow and pressure can be adjusted freely as required

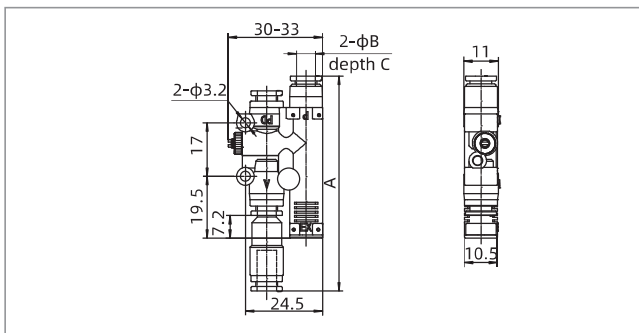
Dimensions(mm)



AZR□□



AZR□□-J



AZR□□-F

Model/Size	A	B	C
AZR05H	49.5	4	10
AZR05L	49.5	4	10
AZR07H	51.5	6	12.5
AZR07L	51.5	6	12.5

◇ Note:"C" is insert depth

Model/Size	A	B	C
AZR05H-J	61.5	4	10
AZR05L-J	61.5	4	10
AZR07H-J	63.5	6	12.5
AZR07L-J	63.5	6	12.5

◇ Note:"C" is insert depth

Model/Size	A	B	C
AZR05H-F	65.5	4	10
AZR05L-F	65.5	4	10
AZR07H-F	68.8	6	12.5
AZR07L-F	68.8	6	12.5

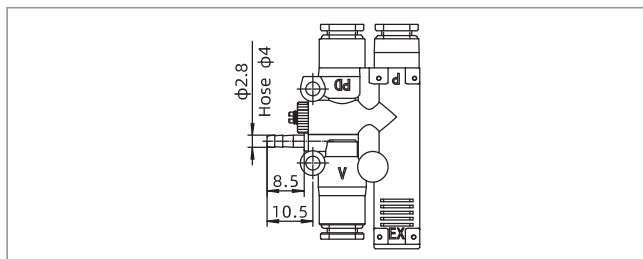
◇ Note:"C" is insert depth

AZR Series

Mini Vacuum Generator

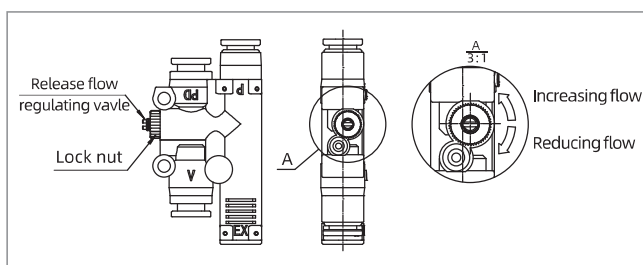


Dimensions(mm)



AZR□□-V

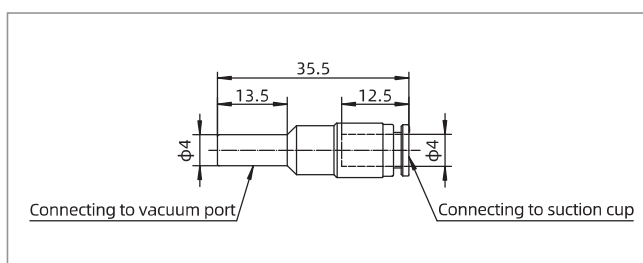
Vacuum release function



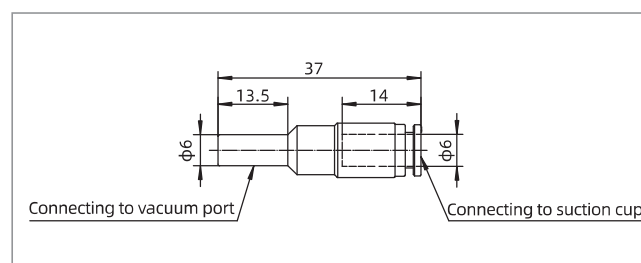
Vacuum releasing flow regulation:

- ◇1. Rotating clockwise the releasing flow regulating valve to reduce the releasing flow. Rotating counterclockwise the releasing flow regulating valve to increase the releasing flow
- ◇2. When regulation is finished, tighten the lock nut clockwise to fix the position of the regulating valve
- ◇3. The regulating valve has limited positions. When it can not be turned clockwise or counterclockwise, it means that the limit position has been reached

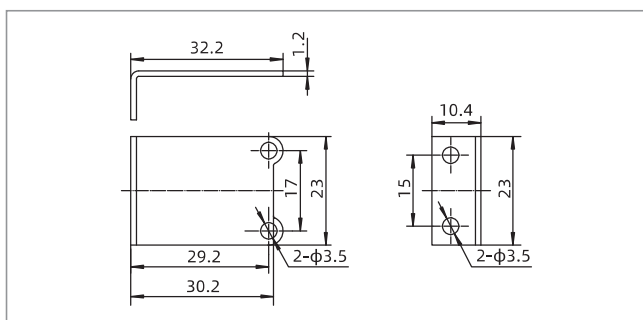
Repair kits dimensions(mm)



ZFD04 Vacuum filter



ZFD06 Vacuum filter



AZR-B Mounting bracket

Item	Model	Applicable vacuum generator
Vacuum filter	ZFD04	AZR05H、AZR05L
Vacuum filter	ZFD06	AZR07H、AZR07L
Mounting bracket	AZR-B	AZR05H、AZR05L、AZR07H、AZR07L

Vacuum Generator

AZK

AZX

AZD

AGS

AGB

AGP

AGX

AGE

ABM/ABX

ABM/ABX
Combined Type

AMC

AM/AL/AH

AM/AL
Combined Type

AMD

AZW

AZR

ABT

ABP

ABQ

AEVC

AZL

AZH

AZU

ACV

ASBP

ALS

ACP

ACPF

ACPS

APB