

AZW Series

Large Flow Integrated Vacuum Generator



BIO-PHARMACEUTICAL FOOD INDUSTRY

Features

- ◇ Built-in high performance vacuum cartridge
- ◇ External silencer
- ◇ Centralized air supply, solenoid valves of each station controll separately
- ◇ Multi-station, large flow, integrated design

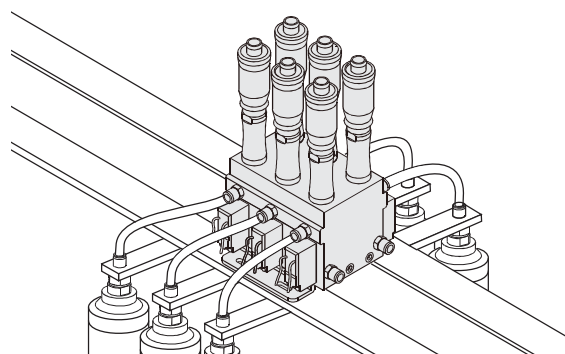
Advantages

- ◇ Easy installation, easy maintenance, it can be replaced by users themselves
- ◇ Reduce product noise most
- ◇ Customers can open or close according to the actual application conditions to save air source
- ◇ High vacuum level, large flow, it can reach high vacuum level in a short time



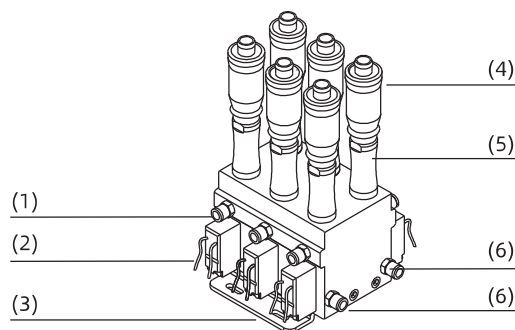
Applications

- ◇ Suitable for multi-station vacuum grasping applications
- ◇ Suitable for the occasions with high demand on the evacuation time
- ◇ Suitable for fast evacuation occasions in medical and food industry



Structure

- ◇ (1) Vacuum port
- ◇ (2) Air supply valve
- ◇ (3) Mounting bracket
- ◇ (4) Silencer
- ◇ (5) Vacuum cartridge
- ◇ (6) Air supply port



AZW Series

Large Flow Integrated Vacuum Generator



How to order

AZW - 06V

① ②

① Series	② Vacuum stack quantity
AZW	03V - 3 stacks 06V - 6 stacks

Technical parameters

Model	Air supply pressure range bar	Rated air supply pressure bar	Max.vacuum level -kPa	Max. vacuum flow NL/min	Air consumption NL/min	Noise level dB(A)
AZW	4.0~7.0	5.0	95	140	135	74

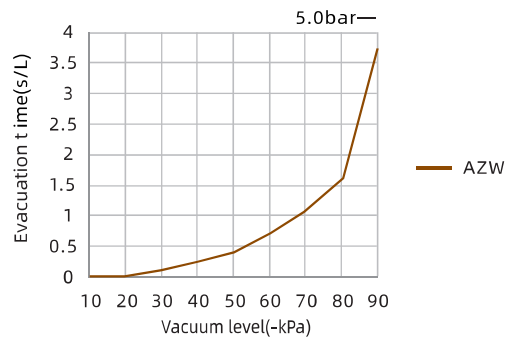
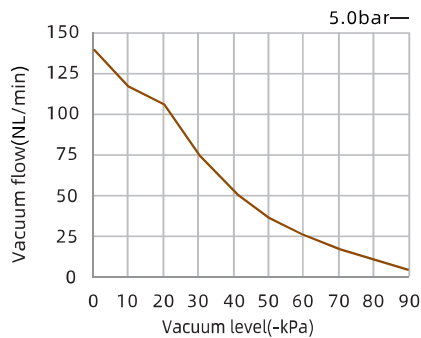
Model	Solenoid valve rated working voltage V	Solenoid valve status	Solenoid valve rated power W	Working temperature °C	Weight kg		Recommended hose dia.mm	
					03V	06V	Air supply port P	Vacuum port V
AZW	DC24	Normally closed(NC)	5.4	0~60	1.2	2.3	φ10	φ10

Vacuum flow(NL/min) at different vacuum levels(-kPa)

Model	Air supply pressure bar	Air consumption NL/min	Vacuum level(-kPa)											Max. vacuum level -kPa
			0	10	20	30	40	50	60	70	80	90		
AZW	5.0	135	140	117	106	76	54	36	26	18	11.5	5.2	95	

Evacuation time(s/L) to reach different vacuum levels(-kPa)

Model	Air supply pressure bar	Air consumption NL/min	Vacuum level(-kPa)										Max. vacuum level -kPa
			1	20	30	40	50	60	70	80	90		
AZW	5.0	135	0.01	0.02	0.08	0.23	0.43	0.71	1.04	1.61	3.72	95	



Vacuum Generator

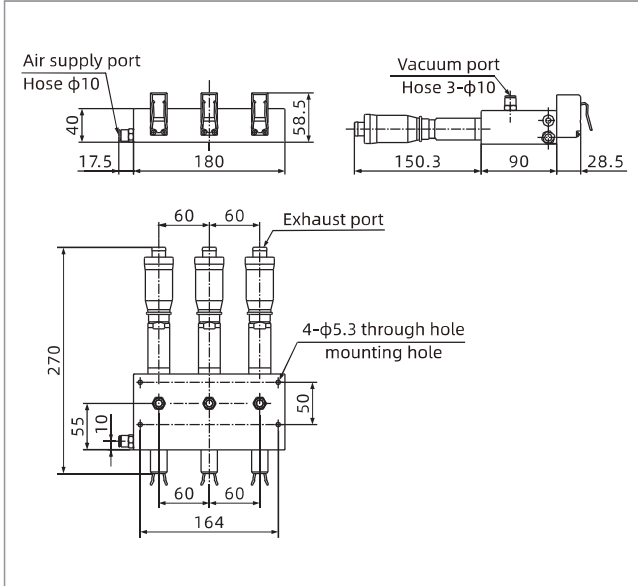
- AZK
- AZX
- AZD
- AGS
- AGB
- AGP
- AGX
- AGE
- ABM/ABX
- ABM/ABX Combined Type
- AMC
- AM/AL/AH
- AM/AL Combined Type
- AMD
- AZW**
- AZR
- ABT
- ABP
- ABQ
- AEVC
- AZL
- AZH
- AZU
- ACV
- ASBP
- ALS
- ACP
- ACPF
- ACPS
- APB

AZW Series

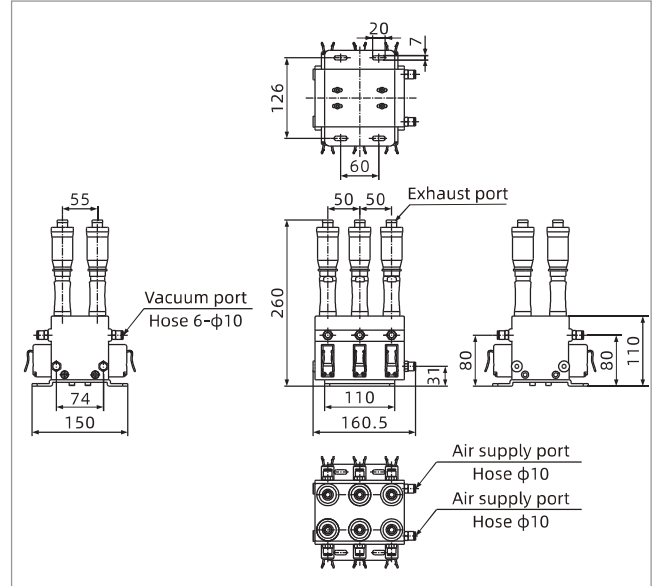


Large Flow Integrated Vacuum Generator

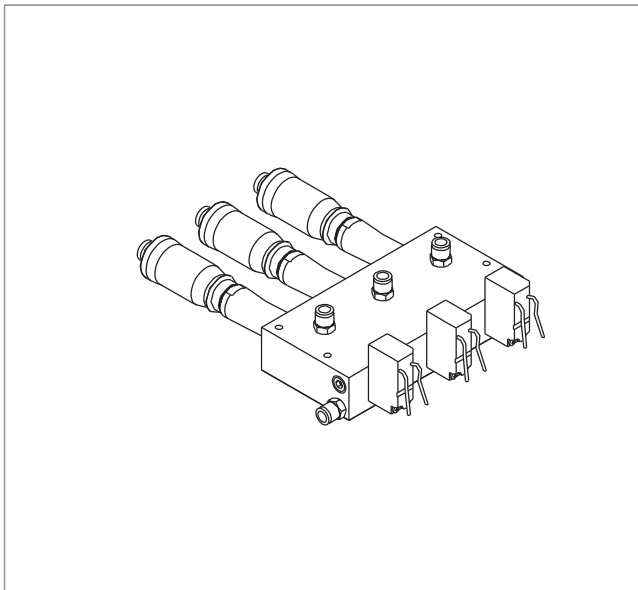
Dimensions(mm)



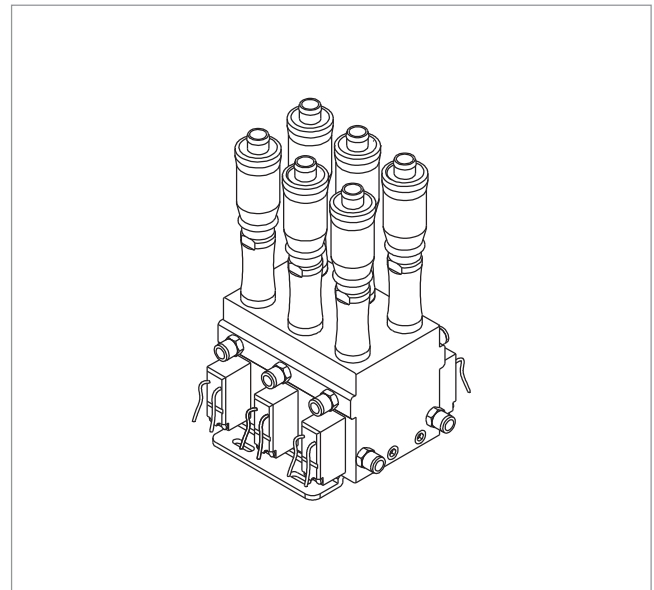
AZW-03V



AZW-06V



AZW-03V Schematic diagram



AZW-06V Schematic diagram