

PJH Series

Universal Mounting Parts-Flexible Joint



UNIVERSAL

Features

- ◇ Ball clamp structure , which can adjust height and angle.
It is suitable for workpiece with irregular surface
- ◇ Made of high-strength aluminum alloy and light weight



How to order

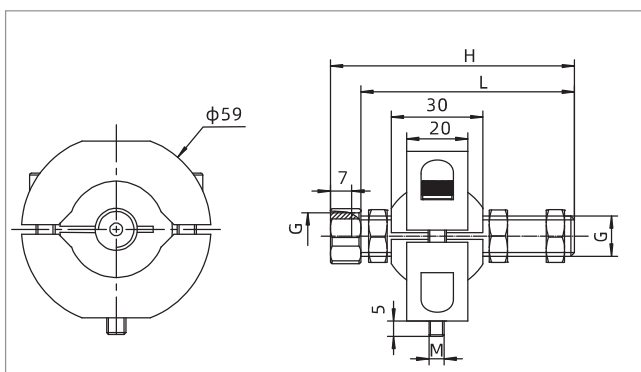
PJH - 1 A 80
① ② ③ ④

① Series	② Mounting Specification	③ Connection thread	④ Length of connecting rod	
PJH	1 - 1×M5 Fixed screw 2 - 2×M6 Fixed screw	A - G1/4 B - G3/8	80 - 80mm 100 - 100mm	140 - 140mm 200 - 200mm

Selection

Model/Mounting specification 1A	1B	2A	2B
PJH-1A80	PJH-1B80	PJH-2A80	PJH-2B80
PJH-1A100	PJH-1B100	PJH-2A100	PJH-2B100
PJH-1A140	PJH-1B140	PJH-2A140	PJH-2B140
PJH-1A200	PJH-1B200	PJH-2A200	PJH-2B200

Dimensions(mm)



PJH-1□□

Model/Size	G	M	H	L	Setting angle	Weight g
PJH-1A80	G1/4	M5×0.8	80	70	15°	293
PJH-1A100	G1/4	M5×0.8	100	90	15°	299.5
PJH-1A140	G1/4	M5×0.8	140	130	15°	314
PJH-1A200	G1/4	M5×0.8	200	190	15°	335
PJH-1B80	G3/8	M5×0.8	80	70	15°	325
PJH-1B100	G3/8	M5×0.8	100	90	15°	331
PJH-1B140	G3/8	M5×0.8	140	130	15°	352
PJH-1B200	G3/8	M5×0.8	200	190	15°	385

Mounting Parts

PSPE

PSPL

PSPS

PSPPT

PSPH

PSPD

PSPF

PJS

PJT

PJF

PJB

PJE

PJH

PJP

PJQ

PDA

PDR

PTS

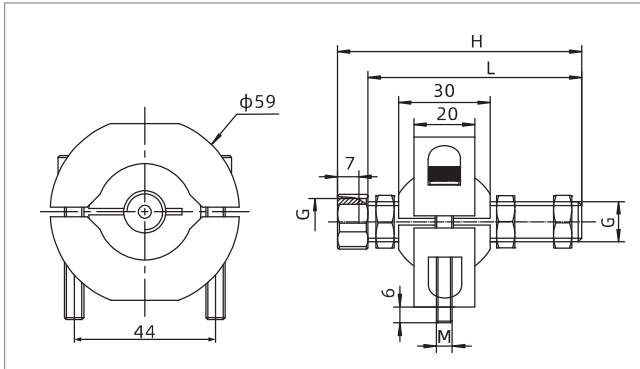
PTK

PJH Series

Universal Mounting Parts-Flexible Joint



Dimensions(mm)



PJH-2□□

Model/Size	G	M	H	L	Setting angle	Weight g
PJH-2A80	G1/4	2-M6×1	80	70	15°	216
PJH-2A100	G1/4	2-M6×1	100	90	15°	222.5
PJH-2A140	G1/4	2-M6×1	140	130	15°	237
PJH-2A200	G1/4	2-M6×1	200	190	15°	257.5
PJH-2B80	G3/8	2-M6×1	80	70	15°	192.5
PJH-2B100	G3/8	2-M6×1	100	90	15°	203.5
PJH-2B140	G3/8	2-M6×1	140	130	15°	239.5
PJH-2B200	G3/8	2-M6×1	200	190	15°	286.5