

# PJP Series

## Universal One-touch Fitting



UNIVERSAL

### Features

- ◇ Copper alloy body, suitable for harsh environment, long lifetime
- ◇ Work as connecting components in vacuum system
- ◇ Various types to be selected



### How to order

PJP - I - A4 - M5M  
 ①            ②            ③            ④

① Series	② Hose direction	③ Hose specification	④ Connection thread
PJP	I - Straight	A4 - $\phi$ 4 hose	M5M - M5 $\times$ 0.8 male thread
	L - Elbow	A6 - $\phi$ 6 hose	G1M - G1/8 male thread
	LT - Universal male elbow	A8 - $\phi$ 8 hose	G2M - G1/4 male thread
	T - Male branch T	A10 - $\phi$ 10 hose	G3M - G3/8 male thread
	QT - Union T	A12 - $\phi$ 12 hose	G4M - G1/2 male thread
			A14 - $\phi$ 14 hose

### Selection

Model/Type Straight	Elbow		Universal male elbow	Male branch T	Union T
PJP-I-A4-M5M   PJP-I-A8-G3M	PJP-L-A4-M5M	PJP-L-A12-G2M	PJP-LT-A4-M5M	PJP-T-A4-M5M	PJP-QT-A4
PJP-I-A4-G1M   PJP-I-A10-G3M	PJP-L-A4-G1M	PJP-L-A8-G3M	PJP-LT-A6-G1M	PJP-T-A4-G1M	PJP-QT-A6
PJP-I-A6-G1M   PJP-I-A12-G3M	PJP-L-A6-G1M	PJP-L-A10-G3M	PJP-LT-A8-G2M	PJP-T-A6-G1M	PJP-QT-A8
PJP-I-A8-G1M   PJP-I-A14-G3M	PJP-L-A8-G1M	PJP-L-A12-G3M		PJP-T-A8-G1M	PJP-QT-A10
PJP-I-A6-G2M   PJP-I-A10-G4M	PJP-L-A4-G2M	PJP-L-A10-G4M		PJP-T-A6-G2M	PJP-QT-A12
PJP-I-A8-G2M   PJP-I-A12-G4M	PJP-L-A6-G2M	PJP-L-A12-G4M		PJP-T-A8-G2M	PJP-QT-A14
PJP-I-A10-G2M   PJP-I-A14-G4M	PJP-L-A8-G2M			PJP-T-A10-G2M	
PJP-I-A12-G2M	PJP-L-A10-G2M			PJP-T-A12-G2M	

Mounting Parts

PSPE

PSPL

PSPS

PSPT

PSPH

PSPD

PSPF

PJS

PJT

PJF

PJB

PJE

PJH

PJP

PJQ

PDA

PDR

PTS

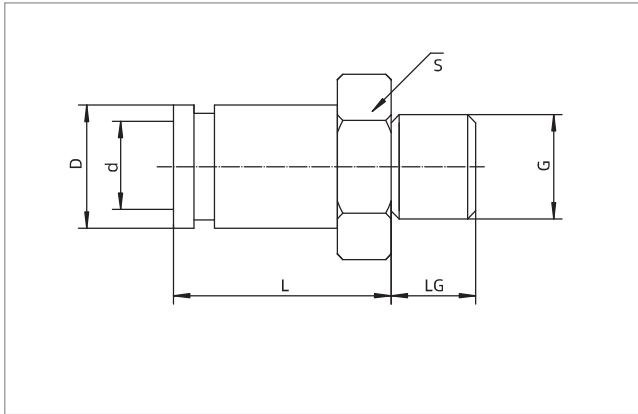
PTK

# PJP Series

## Universal One-touch Fitting

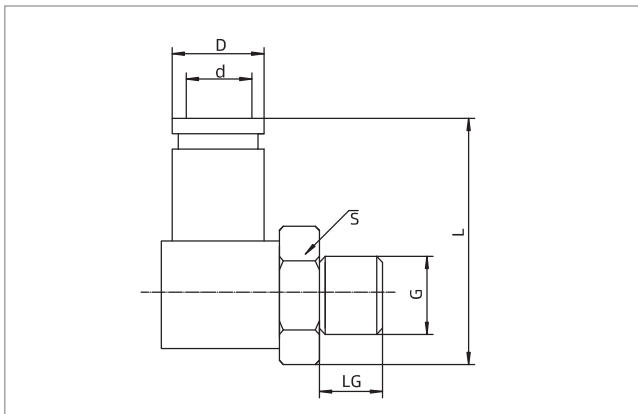


### Dimensions(mm)



PJP-I-A8-□

Model/Size	d	D	L	LG	G	S
PJP-I-A4-M5M	4	9	16	5	M5×0.8	9
PJP-I-A4-G1M	4	9	12	7	G1/8	10
PJP-I-A6-G1M	6	12	17	7	G1/8	12
PJP-I-A8-G1M	8	14	22	7	G1/8	14
PJP-I-A6-G2M	6	12	13	9	G1/4	14
PJP-I-A8-G2M	8	14	20	7	G1/4	14
PJP-I-A10-G2M	10	16	24	9	G1/4	16
PJP-I-A12-G2M	12	18	21	9	G1/4	19
PJP-I-A8-G3M	8	14	13	10	G3/8	17
PJP-I-A10-G3M	10	16	20	10	G3/8	17
PJP-I-A12-G3M	12	18	20	10	G3/8	19
PJP-I-A14-G3M	14	20	20	10	G3/8	21
PJP-I-A10-G4M	10	16	13	12	G1/2	21
PJP-I-A12-G4M	12	18	20	12	G1/2	21
PJP-I-A14-G4M	14	20	20	12	G1/2	21



PJP-L-A8-□

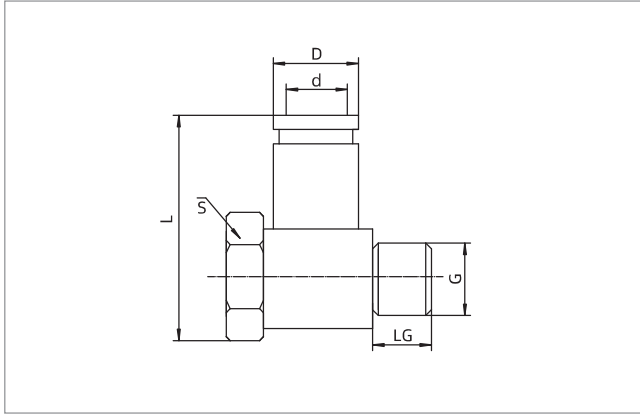
Model/Size	d	D	L	LG	G	S
PJP-L-A4-M5M	4	9	24	5	M5×0.8	10
PJP-L-A4-G1M	4	9	24	7	G1/8	10
PJP-L-A6-G1M	6	12	28.5	7	G1/8	10
PJP-L-A8-G1M	8	14	32	7	G1/8	12
PJP-L-A4-G2M	4	9	26	9	G1/4	14
PJP-L-A6-G2M	6	12	30.5	9	G1/4	14
PJP-L-A8-G2M	8	14	33	9	G1/4	14
PJP-L-A10-G2M	10	16	36	9	G1/4	14
PJP-L-A12-G2M	12	18	39	9	G1/4	16
PJP-L-A8-G3M	8	14	34.5	10	G3/8	17
PJP-L-A10-G3M	10	16	36.5	10	G3/8	17
PJP-L-A12-G3M	12	18	37.5	10	G3/8	17
PJP-L-A10-G4M	10	16	39.5	12	G1/2	21
PJP-L-A12-G4M	12	18	41.5	12	G1/2	21

# PJP Series

## Universal One-touch Fitting

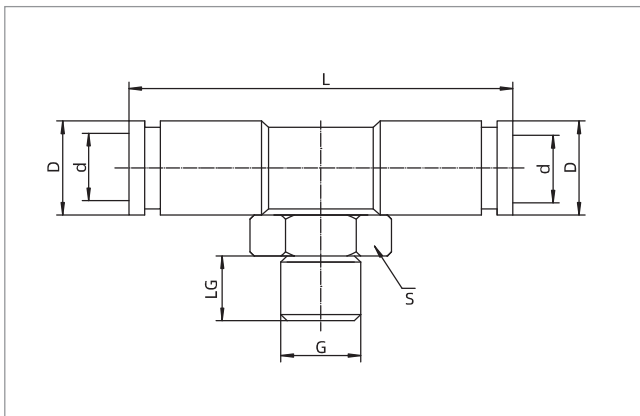


### Dimensions(mm)



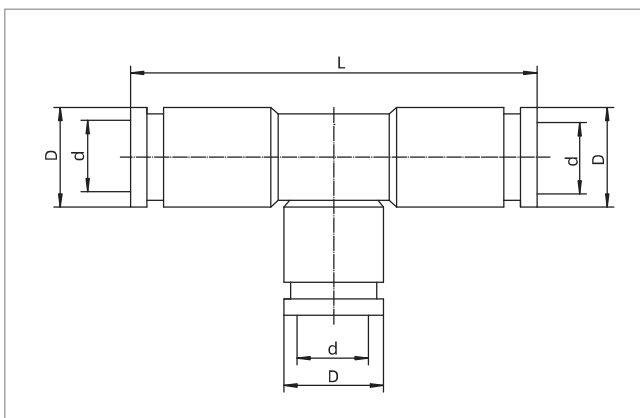
PJP-LT-A8-□

Model/Size	d	D	L	LG	G	S
PJP-LT-A4-M5M	4	9	24	5	M5×0.8	8
PJP-LT-A6-G1M	6	12	31	7	G1/8	12
PJP-LT-A8-G2M	8	14	34	9	G1/4	14



PJP-T-A8-□

Model/Size	d	D	L	LG	G	S
PJP-T-A4-M5M	4	9	37	5	M5×0.8	10
PJP-T-A4-G1M	4	9	37	5	G1/8	10
PJP-T-A6-G1M	6	12	48	7	G1/8	10
PJP-T-A8-G1M	8	14	53	7	G1/8	12
PJP-T-A6-G2M	6	12	48	9	G1/4	14
PJP-T-A8-G2M	8	14	53	9	G1/4	14
PJP-T-A10-G2M	10	16	59	9	G1/4	14
PJP-T-A12-G2M	12	18	53	9	G1/4	17



PJP-QT-□

Model/Size	d	D	L
PJP-QT-A4	4	9	38
PJP-QT-A6	6	12	46
PJP-QT-A8	8	14	50
PJP-QT-A10	10	16	60
PJP-QT-A12	12	18	60
PJP-QT-A14	14	20	62

Mounting Parts

PSPE

PSPL

PSPS

PSPT

PSPH

PSPD

PSPF

PJS

PJT

PJF

PJB

PJE

PJH

[PJP](#)

PJQ

PDA

PDR

PTS

PTK