

PSPD Series

Double Springs Heavy-duty Level Compensator



UNIVERSAL



HEAVY LOAD

Features

- ◇ Oilless, wear-resistant bushing is built in the guide sleeve
- ◇ With double buffer springs
- ◇ Non-rotating type can be selected
- ◇ Various buffer stroke specifications are available

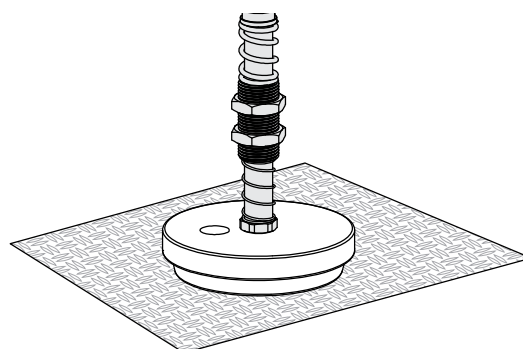
Advantages

- ◇ Reduce product wear, improve the lifetime of the products and reduce the noise
- ◇ Flexible contact with fragile workpieces, compensate the height difference of workpieces
- ◇ Suitable for precise positioning of oval suction cup
- ◇ Suitable for various working conditions



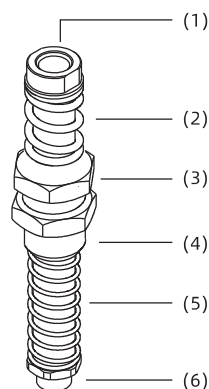
Applications

- ◇ Suitable for handling heavy workpieces, such as steel plate
- ◇ Suitable for the working conditions that need flexible contact and shock absorption when carrying objects, such as glass
- ◇ Suitable for use in harsh environment
- ◇ Non-rotating level compensator is suitable for oval suction cup
- ◇ Double spring buffer structure can prevent the impact on the support rod end when handling the workpiece and turning it over



Structure

- ◇ (1) Vacuum generator connection
- ◇ (2) Spring
- ◇ (3) Mounting nut
- ◇ (4) Guide sleeve
- ◇ (5) Spring
- ◇ (6) Suction cup connection



PSPE

PSPL

PSPS

PSPT

PSPH

PSPD

PSPF

PJS

PJT

PJF

PJB

PJE

PJH

PJP

PJQ

PDA

PDR

PTS

PTK

PSPD Series



Double Springs Heavy-duty Level Compensator

How to order

PSPD - E 25 R G3M - M30
① ② ③ ④ ⑤ ⑥

① Series	② Buffer type	③ Buffer stroke	④ Rotary type	⑤ Suction cup connection	⑥ Mounting thread
PSPD	E - External spring	25	Nil - Vertical rotating	G2M - G1/4 male thread	M20 - M20×1.5
		50	R - Vertical non-rotating	G3M - G3/8 male thread	M30 - M30×1.5
		90		G4M - G1/2 male thread	

Selection

Model/Connection thread G2M	RG2M	G3M	RG3M	G4M	RG4M
PSPD-E25G2M-M20	PSPH-E25RG2M-M20	PSPD-E25G3M-M30	PSPD-E25RG3M-M30	PSPD-E25G4M-M30	PSPD-E25RG4M-M30
PSPD-E50G2M-M20	PSPH-E50RG2M-M20	PSPD-E50G3M-M30	PSPD-E50RG3M-M30	PSPD-E50G4M-M30	PSPD-E50RG4M-M30
-	-	PSPD-E90G3M-M30	PSPD-E90RG3M-M30	PSPD-E90G4M-M30	PSPD-E90RG4M-M30

Technical parameters

Model	Pretightening force(1) N	Elastic force(2) N	Vertical load(3) N	Working temperature °C	Weight g
PSPD-E25(R)G2M-M20	8.6	16.8	2,400	0~80	181
PSPD-E50(R)G2M-M20	14.4	21	2,400	0~80	207
PSPD-E25(R)G3M-M30	24	74.5	4,800	0~80	507
PSPD-E50(R)G3M-M30	7.5	61	4,800	0~80	600
PSPD-E90(R)G3M-M30	25.2	73.7	4,800	0~80	754
PSPD-E25(R)G4M-M30	24	74.5	4,800	0~80	515
PSPD-E50(R)G4M-M30	7.5	61	4,800	0~80	608
PSPD-E90(R)G4M-M30	25.2	73.7	4,800	0~80	762

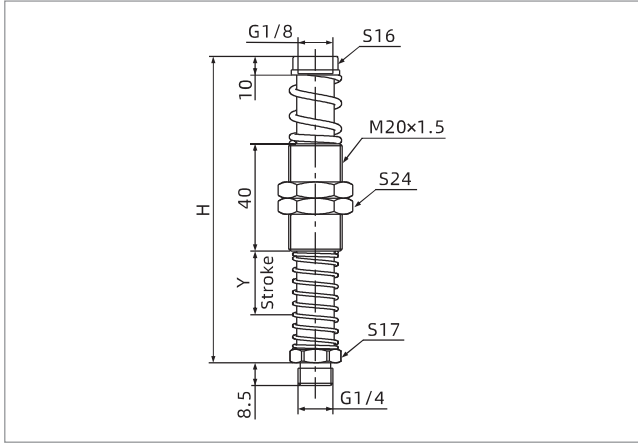
- ◇ Note: 1. Pretightening force is spring elastic force when spring is compressed in nature state
 2. Elastic force is spring elastic force when level compensator is compressed in 50% stroke, it is suggested that the actual working compressed stroke of level compensator does not exceed 50% of its max. compressed stroke
 3. Vertical load refers to the max. vertical tension that the level compensator can bear in static state
 4. When the level compensator is installed horizontally, the workpiece will produce gravity perpendicular to the direction of the level compensator, If the gravity is bigger than the horizontal load range, the spring may get stuck

PSPD Series

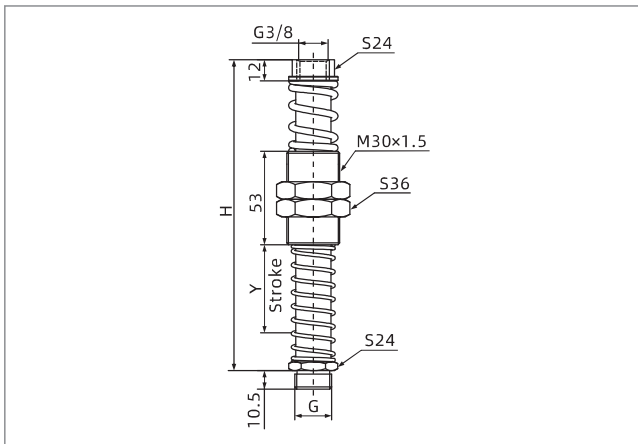


Double Springs Heavy-duty Level Compensator

Dimensions(mm)



PSPD-E□(R)G2M-M20



PSPD-E□(R)G3M-M30 PSPD-E□(R)G4M-M30

Model/Size	H	Y
PSPD-E25(R)G2M-M20	114.5	25
PSPD-E50(R)G2M-M20	144	50

Model/Size	H	G	Y
PSPD-E25(R)G3M-M30	146.5	G3/8	25
PSPD-E50(R)G3M-M30	176.5	G3/8	50
PSPD-E90(R)G3M-M30	229.5	G3/8	90
PSPD-E25(R)G4M-M30	146.5	G1/2	25
PSPD-E50(R)G4M-M30	176.5	G1/2	50
PSPD-E90(R)G4M-M30	229.5	G1/2	90

Mounting Parts

PSPE

PSPL

PSPS

PSPPT

PSPPH

PSPD

PSPPF

PJS

PJT

PJF

PJB

PJE

PJH

PJP

PJQ

PDA

PDR

PTS

PTK