

# PSPE Series

## Small and Light Level Compensator



ELECTRONICS

### Features

- ◇ Level compensator with built-in spring, small elasticity
- ◇ Small size and light weight
- ◇ The guide rod is made of stainless steel
- ◇ Oilless wear-resistant bushing is built in the guide sleeve

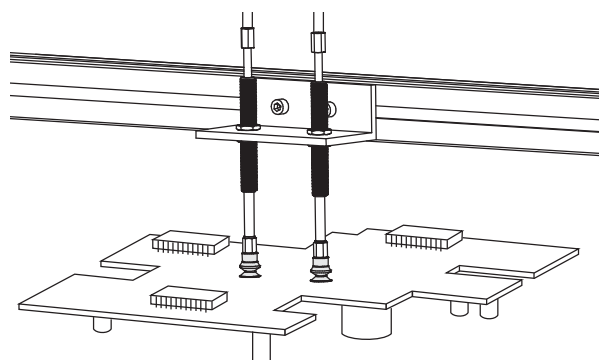
### Advantages

- ◇ Avoid pollution and external mechanical force, flexible contact
- ◇ Suitable for fast handling in small space
- ◇ Resistant to environment, corrosion and abrasion
- ◇ Improve the life time of the products and reduce the noise of the products
- ◇ Ensure the accurate positioning of the workpieces



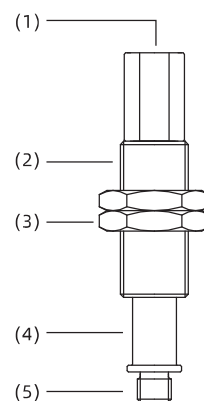
### Applications

- ◇ Suitable for electronic industry
- ◇ Suitable for handling light and small workpieces with flexible contact
- ◇ Suitable for handling workpieces with height difference
- ◇ The non-rotating level compensator is suitable for the working condition requiring accurate positioning



### Structure

- ◇ (1) Vacuum generator connection
- ◇ (2) Guide sleeve
- ◇ (3) Mounting nut
- ◇ (4) Guide rod
- ◇ (5) Suction cup connection



# PSPE Series

## Small and Light Level Compensator



### How to order

## PSPE - I 10 L A4 M5M - M10

①      ②      ③      ④      ⑤      ⑥      ⑦

① Series	② Buffer style	③ Buffer stroke	④ Rotary type	⑤ Vacuum port connection	⑥ Suction cup connection	⑦ Mounting thread
PSPE	I - Built-in spring	6 25	Nil - Vertical rotating	Nil - Default	M5F - M5×0.8 female thread	M8 - M8×1
		10 30	R - Vertical non-rotating	A4 - One-touch fitting, φ4 hose	M5M - M5×0.8 male thread	M10 - M10×1
		15 40	L - Lateral rotating	A6 - One-touch fitting, φ6 hose	M8F - M8×1.25 female thread	M14 - M14×1
		20 50	B - Lateral non-rotating		M8M - M8×1.25 male thread	

### Selection-Vertical direction

Model/Connection thread M5M	RM5M	M5F	M8M	M8F
PSPE-I10M5M-M10	PSPE-I10RM5M-M10	PSPE-I10M5F-M10	PSPE-I10M8M-M14	PSPE-I10M8F-M14
PSPE-I20M5M-M10	PSPE-I20RM5M-M10	PSPE-I20M5F-M10	PSPE-I20M8M-M14	PSPE-I20M8F-M14
PSPE-I30M5M-M10	PSPE-I30RM5M-M10	PSPE-I30M5F-M10	PSPE-I30M8M-M14	PSPE-I30M8F-M14
PSPE-I40M5M-M10	PSPE-I40RM5M-M10	PSPE-I40M5F-M10	-	-
PSPE-I50M5M-M10	PSPE-I50RM5M-M10	PSPE-I50M5F-M10	PSPE-I50M8M-M14	PSPE-I50M8F-M14

### Selection-Lateral direction

Model/Connection thread LA4M5M	LA6M5M	BA4M5M	BA6M5M
PSPE-I6LA4M5M-M8	PSPE-I6LA6M5M-M8	PSPE-I6BA4M5M-M8	PSPE-I6BA6M5M-M8
PSPE-I10LA4M5M-M8	PSPE-I10LA6M5M-M8	PSPE-I10BA4M5M-M8	PSPE-I10BA6M5M-M8
PSPE-I15LA4M5M-M8	PSPE-I15LA6M5M-M8	PSPE-I15BA4M5M-M8	PSPE-I15BA6M5M-M8
PSPE-I25LA4M5M-M8	PSPE-I25LA6M5M-M8	PSPE-I25BA4M5M-M8	PSPE-I25BA6M5M-M8
PSPE-I10LA4M5M-M10	PSPE-I10LA6M5M-M10	PSPE-I10BA4M5M-M10	PSPE-I10BA6M5M-M10
PSPE-I20LA4M5M-M10	PSPE-I20LA6M5M-M10	PSPE-I20BA4M5M-M10	PSPE-I20BA6M5M-M10
PSPE-I30LA4M5M-M10	PSPE-I30LA6M5M-M10	PSPE-I30BA4M5M-M10	PSPE-I30BA6M5M-M10
PSPE-I40LA4M5M-M10	PSPE-I40LA6M5M-M10	PSPE-I40BA4M5M-M10	PSPE-I40BA6M5M-M10
PSPE-I50LA4M5M-M10	PSPE-I50LA6M5M-M10	PSPE-I50BA4M5M-M10	PSPE-I50BA6M5M-M10

Mounting Parts

PSPE

PSPL

PSPS

PSPT

PSPH

PSPD

PSPF

PJS

PJT

PJF

PJB

PJE

PJH

PJP

PJQ

PDA

PDR

PTS

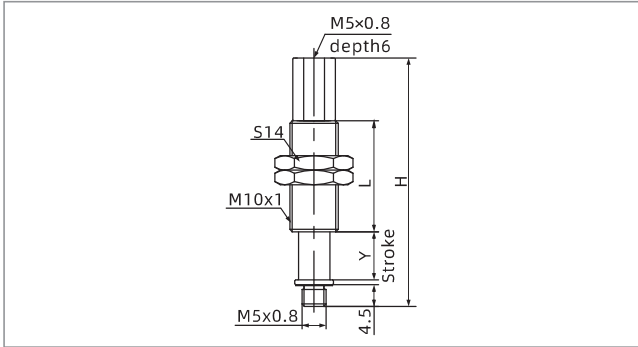
PTK

# PSPE Series

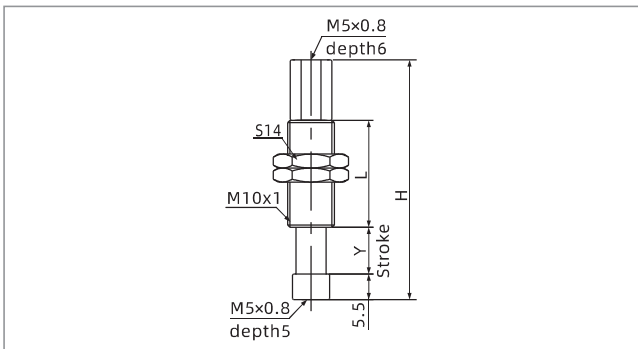
## Small and Light Level Compensator



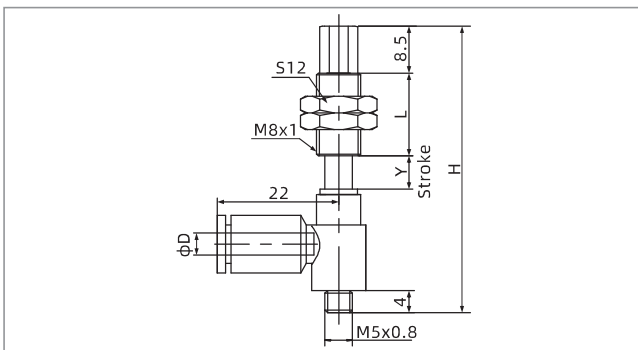
### Dimensions(mm)



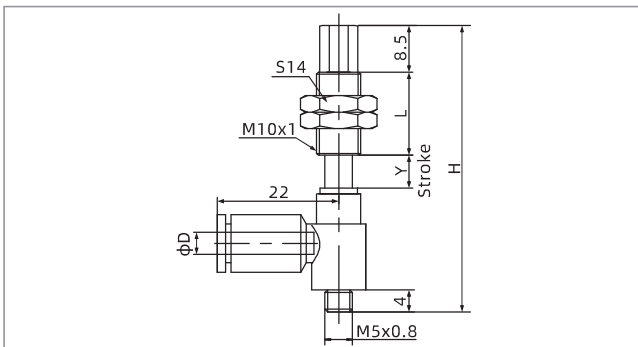
M5M-Vertical male thread connection



M5F-Vertical female thread connection



M5M-Lateral male thread connection



M5M-Lateral male thread connection

Model/Size	H	L	Y	Weight g	F1 N	F2 N
PSPE-I10(R)M5M-M10	51.5	23	10	22	1.0	3.0
PSPE-I20(R)M5M-M10	89.5	51	20	34	1.0	3.0
PSPE-I30(R)M5M-M10	99.5	51	30	36	1.0	3.0
PSPE-I40(R)M5M-M10	135.5	77	40	47	1.0	3.0
PSPE-I50(R)M5M-M10	145.5	77	50	50	1.0	3.0

Model/Size	H	L	Y	Weight g	F1 N	F2 N
PSPE-I10M5F-M10	51.5	23	10	23	1.0	3.0
PSPE-I20M5F-M10	89.5	51	20	36	1.0	3.0
PSPE-I30M5F-M10	99.5	51	30	38	1.0	3.0
PSPE-I40M5F-M10	135.5	77	40	49	1.0	3.0
PSPE-I50M5F-M10	145.5	77	50	51	1.0	3.0

Model/Size	H	L	Y	D	Weight g	F1 N	F2 N
PSPE-I6L(B)A4M5M-M8	52	15	6	4	19	0.8	1.2
PSPE-I6L(B)A6M5M-M8	52	15	6	6	20	0.8	1.2
PSPE-I10L(B)A4M5M-M8	84	43	10	4	26	0.8	1.2
PSPE-I10L(B)A6M5M-M8	84	43	10	6	28	0.8	1.2
PSPE-I15L(B)A4M5M-M8	89	43	15	4	27	0.8	1.2
PSPE-I15L(B)A6M5M-M8	89	43	15	6	29	0.8	1.2
PSPE-I25L(B)A4M5M-M8	99	43	25	4	29	0.8	1.2
PSPE-I25L(B)A6M5M-M8	99	43	25	6	30	0.8	1.2

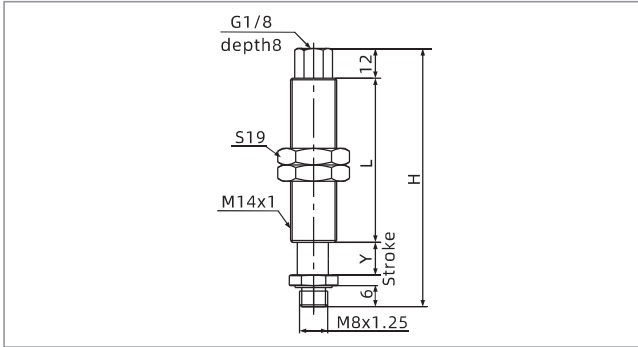
Model/Size	H	L	Y	D	Weight g	F1 N	F2 N
PSPE-I10L(B)A4M5M-M10	64	23	10	4	26	1.0	3.0
PSPE-I10L(B)A6M5M-M10	64	23	10	6	28	1.0	3.0
PSPE-I20L(B)A4M5M-M10	102	51	20	4	44	1.0	3.0
PSPE-I20L(B)A6M5M-M10	102	51	20	6	46	1.0	3.0
PSPE-I30L(B)A4M5M-M10	112	51	30	4	46	1.0	3.0
PSPE-I30L(B)A6M5M-M10	112	51	30	6	48	1.0	3.0
PSPE-I40L(B)A4M5M-M10	148	77	40	4	59	1.0	3.0
PSPE-I40L(B)A6M5M-M10	148	77	40	6	62	1.0	3.0
PSPE-I50L(B)A4M5M-M10	158	77	50	4	62	1.0	3.0
PSPE-I50L(B)A6M5M-M10	158	77	50	6	65	1.0	3.0

# PSPE Series

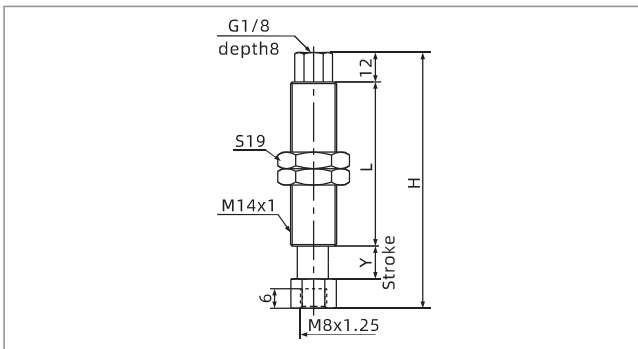
## Small and Light Level Compensator



### Dimensions(mm)



M8M-Vertical male thread connection



M8F-Vertical female thread connection

Model/Size	H	L	Y	Weight g	F1 N	F2 N
PSPE-I10M8M-M14	84.5	50	10	68	2.0	5.5
PSPE-I20M8M-M14	90	50	20	71	2.0	5.5
PSPE-I30M8M-M14	100	50	30	76	2.0	5.5
PSPE-I50M8M-M14	145	50	50	102	2.0	5.5

Model/Size	H	L	Y	Weight g	F1 N	F2 N
PSPE-I10M8F-M14	75	44	10	70	2.0	5.5
PSPE-I20M8F-M14	85	44	20	73	2.0	5.5
PSPE-I30M8F-M14	95	44	30	80	2.0	5.5
PSPE-I50M8F-M14	146	75	50	106	2.0	5.5

◇ Note: "F1" means spring force at 0 stroke  
 "F2" means spring force at max. stroke

Mounting Parts

PSPE

PSPPL

PSPS

PSPPT

PSPPH

PSPPD

PSPPF

PJS

PJT

PJF

PJB

PJE

PJH

PJP

PJQ

PDA

PDR

PTS

PTK