

PSPF Series

Compact Level Compensator



ELECTRONICS

Features

- ◇ Small size and light weight
- ◇ External buffer spring
- ◇ Different buffer stroke can be selected

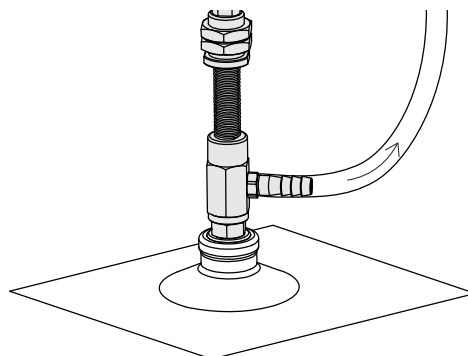
Advantages

- ◇ Especially suitable for electronic industry
- ◇ Flexible contact with fragile workpieces, compensate the height difference of workpieces
- ◇ Suitable for various working conditions



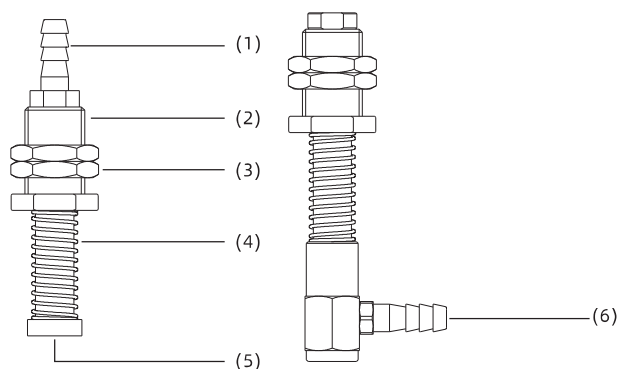
Applications

- ◇ Suitable for handling workpieces with height difference
- ◇ Handle parts sensitive to pressure with flexible contact
- ◇ Suitable for electronic industry



Structure

- ◇ (1) Vacuum generator connection
- ◇ (2) Guide sleeve
- ◇ (3) Mounting nut
- ◇ (4) Spring
- ◇ (5) Suction cup connection
- ◇ (6) Vacuum generator connection



PSPF Series

Compact Level Compensator



How to order

PSPF - E 6 LB6 M5F - M14

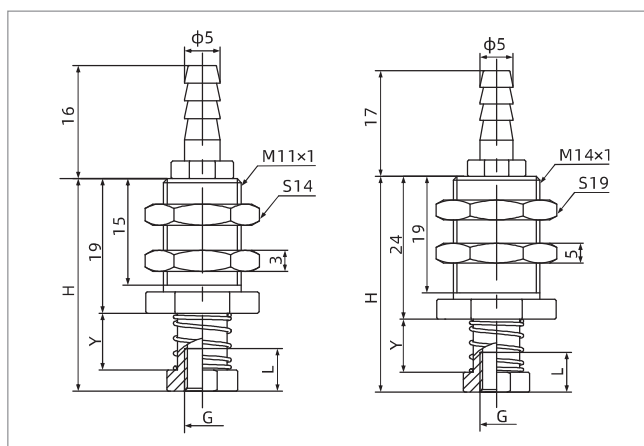
① ② ③ ④ ⑤ ⑥

① Series	② Buffer style	③ Buffer stroke	④ Rotary type
PSPF	E - External spring	4 15	B6 - Vertical rotating, pagoda fitting $\phi 6$ hose
		6 30	LB6 - Lateral rotating, pagoda fitting $\phi 6$ hose
		10	LR1 - Lateral rotating, Rc1/8 inside tapered thread
⑤ Connection thread		⑥ Mounting thread	
M5F - M5x0.8 female thread		M11 - M11x1	
M8F - M8x1.25 female thread		M14 - M14x1	
M10M - M10x1.25 male thread		M16 - M16x1.5	

Selection

Model/Connection thread				
B6M5F	LB6M5F	B6M8F	LB6M8F	LR1M10M
PSPF-E4B6M5F-M11	PSPF-E4LB6M5F-M11	-	-	-
PSPF-E10B6M5F-M11	PSPF-E10LB6M5F-M11	-	-	-
PSPF-E6B6M5F-M14	PSPF-E6LB6M5F-M14	PSPF-E6B6M8F-M14	PSPF-E6LB6M8F-M14	-
PSPF-E15B6M5F-M14	PSPF-E15LB6M5F-M14	PSPF-E6B6M8F-M14	PSPF-E15LB6M8F-M14	-
-	-	-	-	PSPF-E10LR1M10M-M16
-	-	-	-	PSPF-E30LR1M10M-M16

Dimensions(mm)



PSPF-E□B6M5F-M11

PSPF-E□B6M5F(M8F)-M14

Model/Size	H	G	L	Y	Stroke	Weight g
PSPF-E4B6M5F-M11	30	M5x0.8	6	8	4	26
PSPF-E10B6M5F-M11	42	M5x0.8	6	20	10	29.5
PSPF-E6B6M5F-M14	40	M5x0.8	6	13	6	53
PSPF-E15B6M5F-M14	57	M5x0.8	6	30	15	64.5
PSPF-E6B6M8F-M14	40	M8x1.25	8	13	6	55
PSPF-E15B6M8F-M14	57	M8x1.25	8	30	15	65

Mounting Parts

PSPE

PSPL

PSPS

PSPT

PSPH

PSPD

PSPF

PJS

PJT

PJF

PJB

PJE

PJH

PJP

PJQ

PDA

PDR

PTS

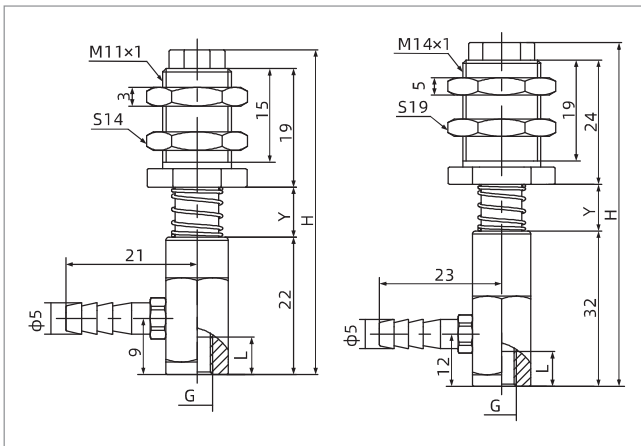
PTK

PSPF Series

Compact Level Compensator

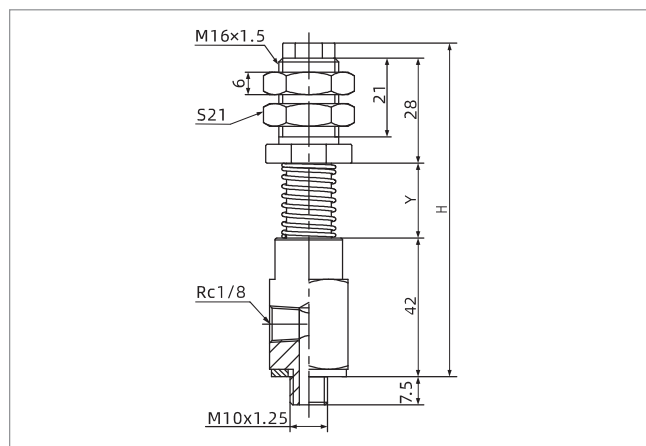


Dimensions(mm)



PSPF-E□LB6M5F-M11

PSPF-E□LB6M5F(M8F)-M14



PSPF-E□LR1M10M-M16

Model/Size	H	G	L	Y	Stroke	Weight g
PSPF-E4LB6M5F-M11	52	M5×0.8	6	8	4	42
PSPF-E10LB6M5F-M11	64	M5×0.8	6	20	10	61
PSPF-E6LB6M5F-M14	73	M5×0.8	6	13	6	98
PSPF-E15LB6M5F-M14	90	M5×0.8	6	30	15	112
PSPF-E6LB6M8F-M14	73	M8×1.25	8	13	6	96
PSPF-E15LB6M8F-M14	90	M8×1.25	8	30	15	108

Model/Size	H	Y	Stroke	Weight g
PSPF-E10LR1M10M-M16	94	20	10	213
PSPF-E30LR1M10M-M16	134	60	30	256