

PSPL Series

Retractive Level Compensator



ELECTRONICS

Features

- ◇ Level compensator with built-in spring, small elasticity
- ◇ Small size and light weight
- ◇ special surface treatment for guide rod
- ◇ Guide sleeve with built-in resin bushing
- ◇ Retractive structure design

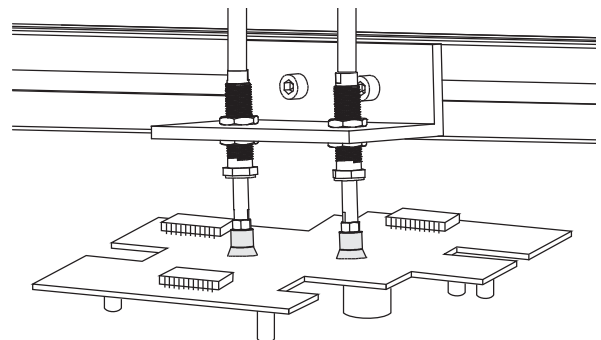
Advantages

- ◇ Avoid pollution and external mechanical force, flexible contact
- ◇ Suitable for fast handling in small space
- ◇ Resistant to environment, corrosion and abrasion
- ◇ Reduce metal dust, special for dust-free working condition
- ◇ During the operation, the hose is static and without transverse load



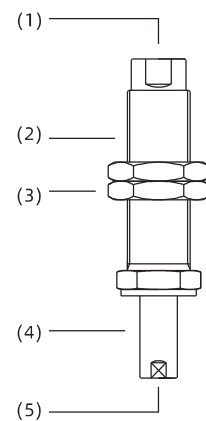
Applications

- ◇ Suitable for electronic industry
- ◇ Suitable for handling light and small workpieces with flexible contact
- ◇ Suitable for handling workpieces with height difference
- ◇ Suitable for dust-free working condition



Structure

- ◇ (1) Vacuum generator connection
- ◇ (2) Guide sleeve
- ◇ (3) Mounting nut
- ◇ (4) Guide rod
- ◇ (5) Suction cup connection



PSPL Series

Retractive Level Compensator



How to order

PSPL - I 10 R M5F - M10

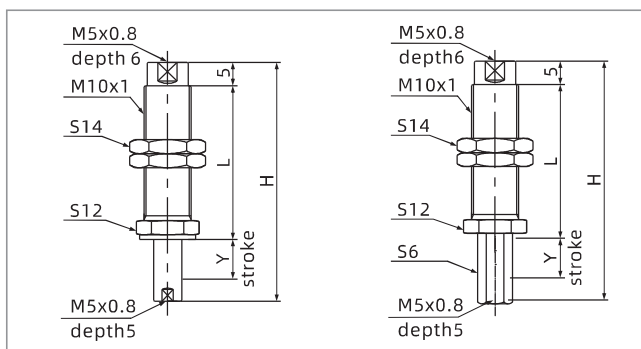
① ② ③ ④ ⑤ ⑥

| ① Series | ② Buffer style | ③ Buffer stroke | ④ Rotary type | ⑤ Vacuum port connection | ⑥ Mounting thread |
|----------|---------------------|-----------------|--|----------------------------|-------------------|
| PSPL | I - Built-in spring | 3 10 15 20 | Nil - Vertical rotating R - Vertical non-rotating | M5F - M5x0.8 female thread | M10 - M10x1 |

Selection

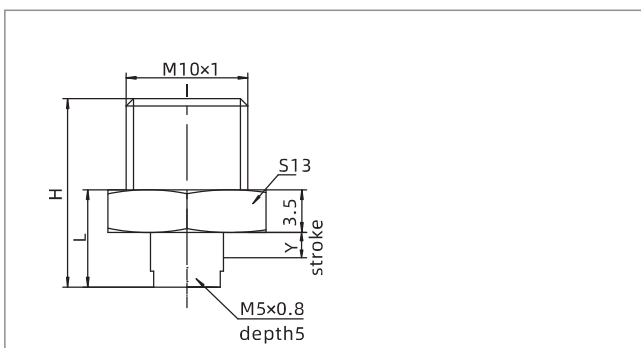
| Model/Buffer stroke | 3 | 10 | 15 | 20 |
|---------------------|----------------|------------------|------------------|------------------|
| PSPL-I□M5F-M10 | PSPL-I3M5F-M10 | PSPL-I10M5F-M10 | PSPL-I15M5F-M10 | PSPL-I20M5F-M10 |
| PSPL-I□RM5F-M10 | - | PSPL-I10RM5F-M10 | PSPL-I15RM5F-M10 | PSPL-I20RM5F-M10 |

Dimensions(mm)



PSPL-I□M5F-M10

PSPL-I□RM5F-M10



PSPL-I3M5F-M10

| Model/Size | H | L | Y | F1 N | F2 N |
|--------------------|----|------|----|---------|---------|
| PSPL-I10(R)M5F-M10 | 51 | 31.8 | 10 | 1.0 | 1.4 |
| PSPL-I15(R)M5F-M10 | 61 | 36.8 | 15 | 1.0 | 1.4 |
| PSPL-I20(R)M5F-M10 | 71 | 41.8 | 20 | 1.0 | 1.4 |

- ◇ Note: 1. "F1" means spring force at 0 stroke, "F2" means spring force at max. stroke
2. The locking torque of M10 nut is 2.5 ~ 3.5N.M, please work within the specified torque range

| Model/Size | H | L | Y | F1 N | F2 N |
|----------------|------|---|---|---------|---------|
| PSPL-I3M5F-M10 | 16.5 | 9 | 3 | 0.7 | 1.0 |

- ◇ Note: 1. "F1" means spring force at 0 stroke, "F2" means spring force at max. stroke

Mounting Parts

PSPE

PSPL

PSPS

PSPT

PSPH

PSPD

PSPF

PJS

PJT

PJF

PJB

PJE

PJH

PJP

PJQ

PDA

PDR

PTS

PTK