

SB Series

Universal Bellows Suction Cup

AIRBEST



Suction Cup

Features

- ◇ 1.5 Bellows
- ◇ Support structure at the bottom
- ◇ Various sizes for option

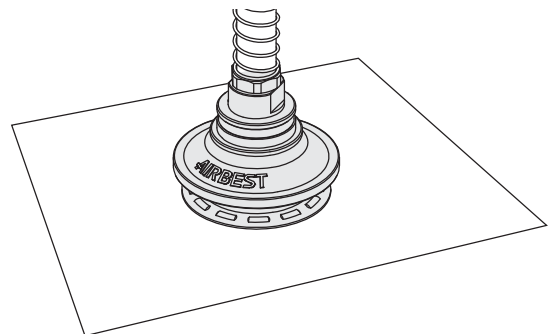
Advantages

- ◇ Easy to fit uneven surface of workpiece, and has buffer effect
- ◇ Handling thin workpiece without permanent deformation
- ◇ Suitable for workpieces with different sizes and shapes



Applications

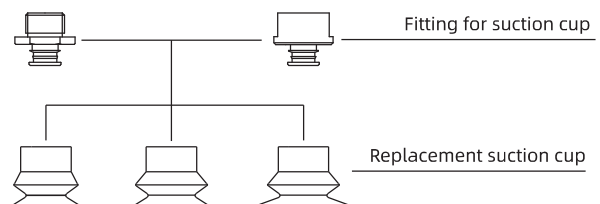
- ◇ Handling of workpieces with uneven surface, such as carton, cardboard, cambered workpiece, pipe, etc
- ◇ Handling fragile workpieces, such as electronic components, plastic injection parts, etc
- ◇ Handling smooth wood plate, smooth steel plate and so on



Structure

- ◇ 1.5 Bellows, large compressed stroke.
- ◇ Suction cup and fitting are split structure design, wearing parts can be replaced separately.

In same series, replacement suction cup and fitting can be combined on request.



- SZ
- SP3
- SUF
- SAN
- SAO
- SOFA
- STP
- SFT
- SFA
- SBT
- SBL
- SBLP
- SBS
- SFP
- SBP
- SXP
- SGP
- SBOF
- STC
- SFF
- SOB
- SOE
- SOG
- SFM
- SOM
- SBF
- SDM
- SFU
- SFK
- SHT
- SDL
- SFG
- SFGT
- SFD**
- SB**
- SBA
- SF
- SU
- SPA
- SPD
- SPF
- SPC
- SPJ
- SPU
- SH
- SHB
- SBB
- SOP
- SNP

SB Series

Universal Bellows Suction Cup



How to order

SB 30 N - G1M - EW

① ② ③ ④ ⑤

① Series	② Diameter	③ Material & Hardness	④ Connection thread	⑤ Special specification	
SB	5 - φ5mm	20 - φ20mm	N - NBR	55 Nil - Suction cup only	Nil - Standard
	6 - φ6mm	30 - φ30mm	S - Silicone	50 M5M - M5x0.8 male thread	EW - With mesh filter
	8 - φ8mm	40 - φ40mm	WS - White silicone	50 G1M - G1/8 male thread	EH - With throttle valve
	10 - φ10mm	50 - φ50mm	CS - Conductive silicone	55 G2M - G1/4 male thread	
	12 - φ12mm	75 - φ75mm		G3M - G3/8 male thread	
	15 - φ15mm	110 - φ110mm		G1F - G1/8 female thread	
	17 - φ17mm	150 - φ150mm		G2F - G1/4 female thread	
				G3F - G3/8 female thread	
			G4F - G1/2 female thread		

Selection

Model	Connection thread	
	M - Male thread	F - Female thread
SB5□	SB5□-M5M	-
SB6□	SB6□-M5M	-
SB8□	SB8□-M5M	-
SB10□	SB10□-M5M	-
SB12□	SB12□-M5M	-
SB15□	SB15□-M5M	-
SB17□	SB17□-G1M(-EW/EH)	SB17□-G1F(-EW/EH)
SB20□	SB20□-G1M(-EW/EH)	SB20□-G1F(-EW/EH)
SB30□	SB30□-G1M(-EW/EH)	SB30□-G1F(-EW/EH)
SB40□	SB40□-G1M(-EW/EH)	SB40□-G1F(-EW/EH)
SB50□	SB50□-G2M(-EW/EH) SB50□-G3M(-EW/EH)	SB50□-G2F(-EW/EH) SB50□-G3F(-EW/EH)
SB75□	-	SB75□-G2F
SB110□	-	SB110□-G4F
SB150□	-	SB150□-G4F

SB Series

Universal Bellows Suction Cup

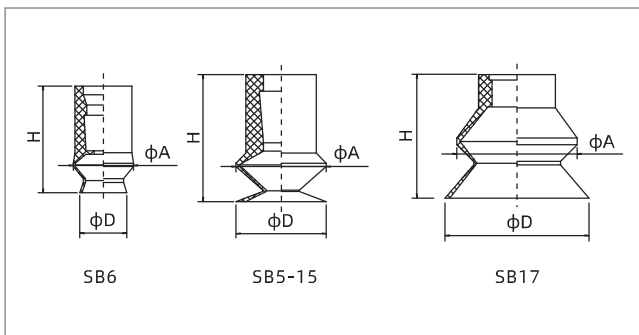


Technical parameters

Model	Pull-out force N	Inner volume cm ³	Min.curve radius of workpiece mm	Weight g	Recommended hose dia. mm	MPQ pcs
SB5	0.8	<0.1	8	0.3	4	10
SB6	1.2	<0.1	8	0.5	4	10
SB8	2.1	<0.1	10	0.4	4	10
SB10	3.2	0.4	12	0.9	4	10
SB12	4.7	0.5	15	1.5	6	10
SB15	7.4	0.8	20	1.5	6	10
SB17	9.5	1.1	25	1	6	10
SB20	18	1.2	30	3	6	5
SB30	33	14	35	7.5	6	5
SB40	60	18	50	13	6	5
SB50	92	26	80	24	8	1
SB75	210	96	60	68	8	1
SB110	412	314	120	178	12	1
SB150	740	798	160	439.5	12	1

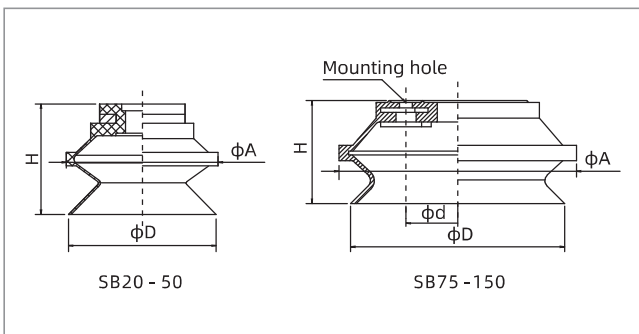
◇ Note: Testing vacuum level -60kPa, workpiece with smooth and clean surface. The data of pull-out force as above are figured out without considering safety factor. The data may be different according to different workpiece surfaces. Recommend the length of vacuum hose to be as short as possible, max 2m.

Dimensions(mm) - Suction cup only



Model/Size	D	A	H
SB5□	5.8	6.2	9.2
SB6□	7	9	13.5
SB8□	8.8	9.6	11.9
SB10□	11	12	16
SB12□	12	14	16.5
SB15□	17.5	17.5	19.5
SB17□	18.5	16.6	15.6

SB



Model/Size	D	A	H	d	Mounting hole
SB20□	22	24	19	-	-
SB30□	34	36	26	-	-
SB40□	43	46	28	-	-
SB50□	53	58	35	-	-
SB75□	78	83	37	35	4-φ6
SB110□	115	124	54	55	8-φ6
SB150□	155	166	71	70.5	8-φ6

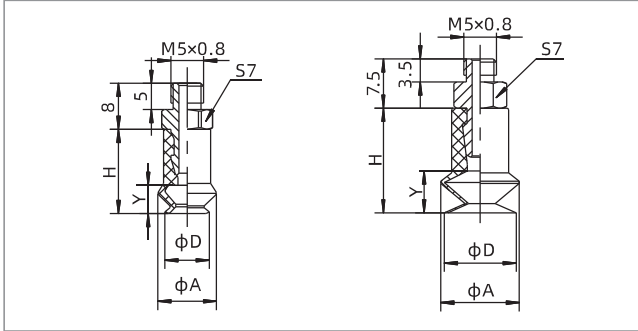
SB

SB Series

Universal Bellows Suction Cup

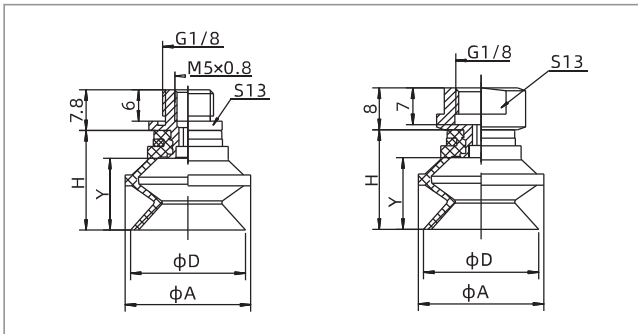


Dimensions(mm) - Suction cup with fitting



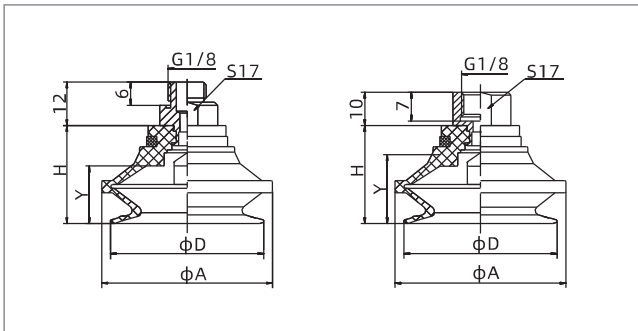
SB6-M5M

SB-M5M



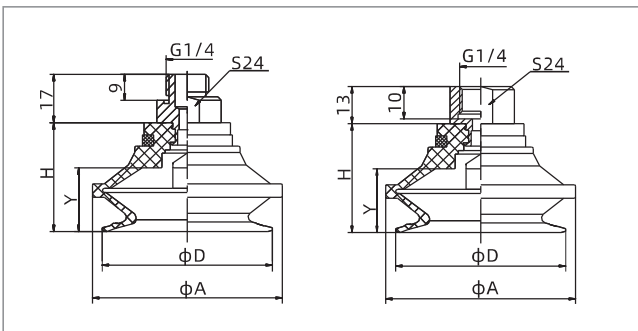
SB-M-G1M

SB-M-G1F



SB-M-G1M

SB-M-G1F



SB50-G2M

SB50-G2F

Model/Size	D	A	H	Y
SB5-M5M	5.8	6.2	9.2	3.6
SB6-M5M	7	9	13.5	4.5
SB8-M5M	8.8	9.6	11.9	6.5
SB10-M5M	11	12	16	7
SB12-M5M	12	14	16.5	5.5
SB15-M5M	15.5	17.5	19.5	10

Model/Size	D	A	H	Y
SB17-G1M	18.5	16.6	15.6	10.5
SB17-G1F	18.5	16.6	15.6	10.5
SB20-G1M	22	24	19	9
SB20-G1F	22	24	19	9

Model/Size	D	A	H	Y
SB30-G1M	34	36	26	19
SB30-G1F	34	36	26	19
SB40-G1M	43	46	28	20
SB40-G1F	43	46	28	20

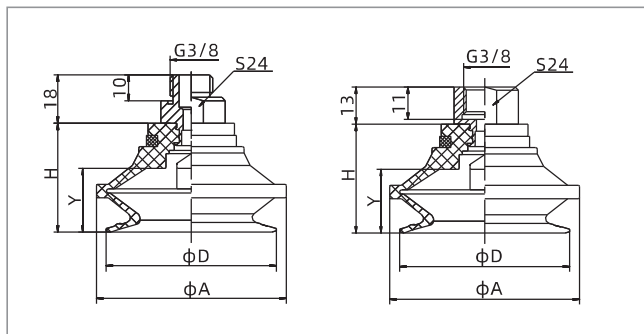
Model/Size	D	A	H	Y
SB50-G2M	53	58	35	20
SB50-G2F	53	58	35	20

SB Series

Universal Bellows Suction Cup

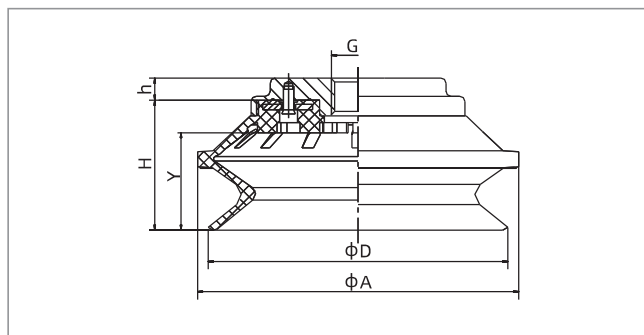


Dimensions(mm) - Suction cup with fitting



SB50□-G3M

SB50□-G3F



SB75-150

◇ Note: The dimensional tolerance conforms to GBT3672.1-2002-1 M3 rubber product dimensional tolerance standard

Model/Size	D	A	H	Y
SB50□-G3M	53	58	35	20
SB50□-G3F	53	58	35	20

Model/Size	D	A	H	h	G	Y
SB75□-G2F	78	83	37	13	G1/4	27
SB110□-G4F	115	124	54	9	G1/2	38.5
SB150□-G4F	155	166	71	10	G1/2	44.5

Mounting parts

Item	Model		Applicable suction cup
	M - Male thread	F - Female thread	
Fitting for suction cup	PJS-M5M-SC1	-	SB6
	PJS-M5M-SC2	-	SB5,8
	PJS-M5M-SC3	-	SB10,12,15
	PJS-G1M-SF1	PJS-G1F-SF1	SB17,20
	PJS-G1M-SF2	PJS-G1F-SF2	SB30,40
	PJS-G2M-SF3	PJS-G2F-SF3	SB50
	PJS-G3M-SF3	PJS-G3F-SF3	SB50
	-	PJS-G2F-SF75	SB75
	-	PJS-G4F-SF110	SB110
-	PJS-G4F-SF150	SB150	

- SZ
- SP3
- SUF
- SAN
- SAO
- SOFA
- STP
- SFT
- SFA
- SBT
- SBL
- SBLP
- SBS
- SFP
- SBP
- SXP
- SGP
- SBOF
- STC
- SFF
- SOB
- SOF
- SOG
- SFM
- SOM
- SBF
- SDM
- SFU
- SFK
- SHT
- SDL
- SFG
- SFGT
- SFD
- SB**
- SBA
- SF
- SU
- SPA
- SPD
- SPF
- SPC
- SPJ
- SPU
- SH
- SHB
- SBB
- SOP
- SNP