

SBL Series

4.5 Bellows Suction Cup



FOOD
PACKAGING



PLASTIC BAG



FDA



Features

- ◇ 4.5 Bellows
- ◇ Thin sealing lip
- ◇ Food grade silicone

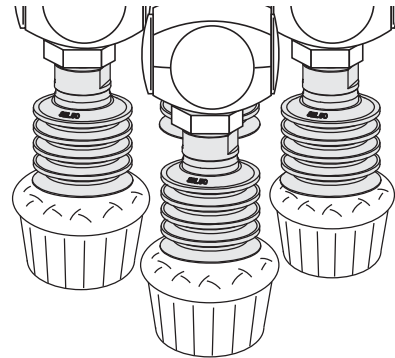
Advantages

- ◇ Suitable for handling workpieces with irregular shape
- ◇ Grabbing soft package with good airtightness
- ◇ Direct contact with food



Applications

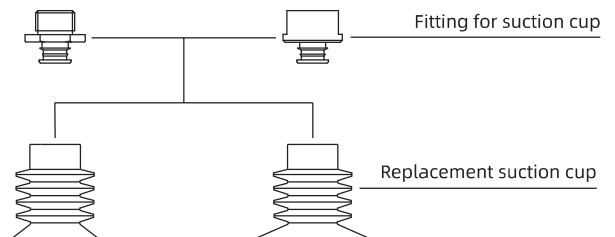
- ◇ Handling very soft products, such as plastic bags, aluminum foil bags, etc
- ◇ Handling fragile products, such as glass, egg, etc
- ◇ Handling food, such as bread, biscuits, etc
- ◇ Grabbing package bags containing solid products, powder or liquid safely



Structure

- ◇ Multiple bellows, large compressed stroke
- ◇ Suction cup and fitting are split structure design, wearing parts can be replaced separately

In same series, replacement suction cup and fitting can be combined on request.



SZ
SP3
SUF
SAN
SAO
SOFA
STP
SFT
SFA
SBL
SBLP
SBS
SFP
SBP
SXP
SGP
SBOF
STC
SFF
SOB
SOF
SOG
SFM
SOM
SBF
SDM
SFU
SFK
SHT
SDL
SFG
SFGT
SFD
SB
SBA
SF
SU
SPA
SPD
SPF
SPC
SPJ
SPU
SH
SHB
SBB
SOP
SNP

SBL Series

4.5 Bellows Suction Cup

How to order

SBL 15 S - M5M

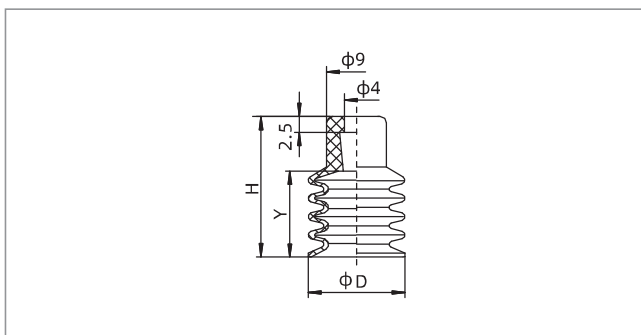
① ② ③ ④

① Series	② Diameter	③ Material & Hardness	④ Connection thread
SBL	15 - ϕ 15mm	N - NBR 55	Nil - Suction cup only
	20 - ϕ 20mm	S - Silicone 50	G1F - G1/8 female thread
	30 - ϕ 30mm	WS - White silicone 50	G2F - G1/4 female thread
	40 - ϕ 40mm		G3F - G3/8 female thread
	50 - ϕ 50mm		

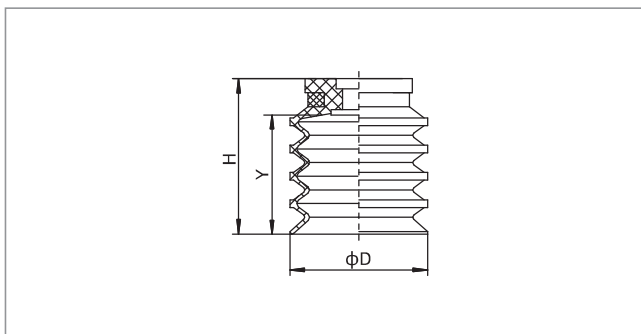
Selection

Model	Connection thread M - Male thread	F - Female thread	MPQ pcs
SBL15□	SBL15□-M5M	-	5
SBL20□	SBL20□-G1M	SBL20□-G1F	5
SBL30□	SBL30□-G1M	SBL30□-G1F	1
SBL40□	SBL40□-G1M	SBL40□-G1F	1
SBL50□	SBL50□-G2M	SBL50□-G2F	1
	SBL50□-G3M	SBL50□-G3F	1

Dimensions(mm) - Suction cup only



SBL15



SBL20-50

Model/Size	D	H	Y	Weight g
SBL15□	15.5	21.5	13.5	12

Model/Size	D	H	Y	Weight g
SBL20□	20	23	17.5	2.3
SBL30□	30	32	25.5	5.8
SBL40□	40	42	34.5	12.4
SBL50□	50	52	40	20.9

SZ

SP3

SUF

SAN

SAO

SOFA

STP

SFT

SFA

SBT

SBL

SBLP

SBS

SFP

SBP

XSP

SGP

SBOF

STC

SFF

SOB

SOF

SOG

SFM

SOM

SBF

SDM

SFU

SFK

SHT

SDL

SFG

SFGT

SFD

SB

SBA

SF

SU

SPA

SPD

SPF

SPC

SPJ

SPU

SH

SHB

SBB

SOP

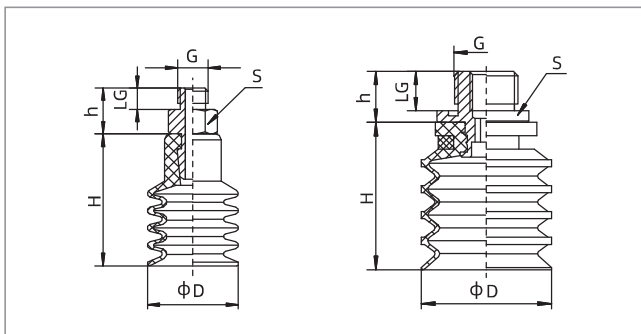
SNP

SBL Series

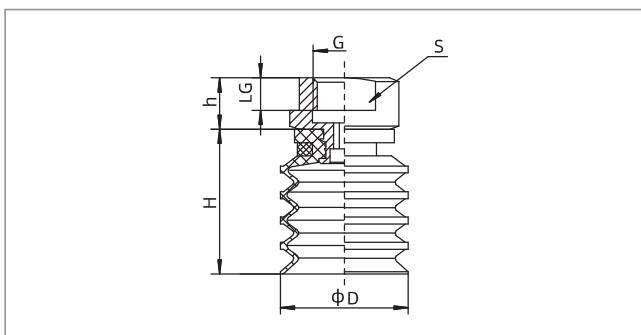
4.5 Bellows Suction Cup



Dimensions(mm) - Suction cup with fitting



SBL - Male thread connection



SBL - Female thread connection

◇ Note: The dimensional tolerance conforms to GBT3672.1-2002-1 M3 rubber product dimensional tolerance standard

Model/Size	D	H	h	G	LG	S
SBL15□-M5M	15.5	21.5	7.5	M5×0.8	3.5	7
SBL20□-G1M	20	23	7.8	G1/8	6	13
SBL30□-G1M	30	32	12	G1/8	6	17
SBL40□-G1M	40	42	12	G1/8	6	17
SBL50□-G2M	50	52	17	G1/4	9	24
SBL50□-G3M	50	52	18	G3/8	10	24

Model/Size	D	H	h	G	LG	S
SBL20□-G1F	20	23	8	G1/8	7	13
SBL30□-G1F	30	32	10	G1/8	7	17
SBL40□-G1F	40	42	10	G1/8	7	17
SBL50□-G2F	50	52	13	G1/4	10	24
SBL50□-G3F	50	52	13	G3/8	11	24

Mounting parts

Item	Model		Applicable suction cup
	M - Male thread	F - Female thread	
Fitting for suction cup	PJS-M5M-SC3	-	SBL15
	PJS-G1M-SF1	PJS-G1F-SF1	SBL20
	PJS-G1M-SF2	PJS-G1F-SF2	SBL30,40
	PJS-G2M-SF3	PJS-G2F-SF3	SBL50
	PJS-G3M-SF3	PJS-G3F-SF3	SBL50