

SBP Series

PU Bellows Suction Cup

AIRBEST



PACKAGING



LONG LIFETIME



Features

- ◇ 1.5 Bellows
- ◇ Internal support structure at bottom
- ◇ PU material
- ◇ Various sizes are available

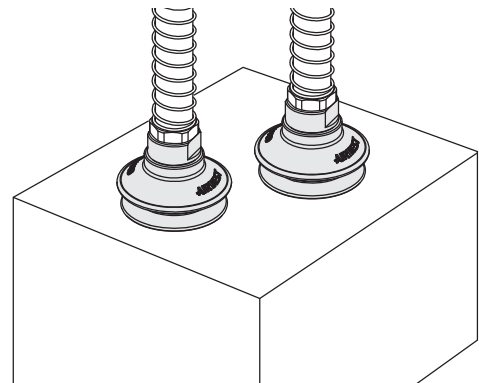
Advantages

- ◇ Easy to fit the uneven surface of workpiece, and has buffer effect
- ◇ Prevent thin workpieces from permanent deformation
- ◇ Good wear resistance, long lifetime
- ◇ Suitable for workpieces with different sizes and shapes



Applications

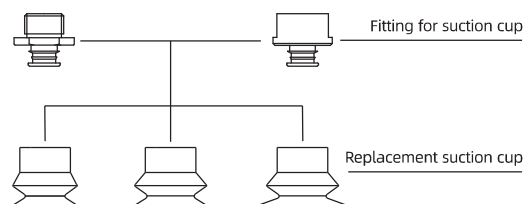
- ◇ Suitable for handling cardboard box or cardboard
- ◇ Suitable for handling carton or handling in packaging machinery
- ◇ Suitable for stacking and unstacking
- ◇ PU material has good wear resistance, suitable for heavy load occasions



Structure

- ◇ For suction cup with diameter $\phi 10\text{-}\phi 50\text{mm}$, suction cup and fitting are split structure design
- ◇ For suction cup with diameter $\phi 70\text{mm}$, suction cup and fitting are one-piece structure design
- ◇ Fitting for suction cup is with filter mesh

In same series, replacement suction cup and fitting can be combined on request



SBP Series

PU Bellows Suction Cup

How to order

SBP 30 U - G1F

① ② ③ ④

① Series	② Diameter	③ Material & Hardness	④ Connection thread
SBP	10 - ϕ 10mm	U - PU 60	Nil - Suction cup only
	15 - ϕ 15mm	UY - PU 40	M5M - M5x0.8 male thread
	20 - ϕ 20mm	UD - PU 30 60	G1M - G1/8 male thread
	30 - ϕ 30mm		G2M - G1/4 male thread
	40 - ϕ 40mm		G3M - G3/8 male thread
	50 - ϕ 50mm		G1F - G1/8 female thread
	70 - ϕ 70mm		G2F - G1/4 female thread G3F - G3/8 female thread

Selection

Model	Connection thread	
	M - Male thread	F - Female thread
SBP10□	SBP10□-M5M	-
SBP15□	SBP15□-M5M	-
SBP20□	SBP20□-G1M	SBP20□-G1F
SBP30□	SBP30□-G1M	SBP30□-G1F
SBP40□	SBP40□-G1M	SBP40□-G1F
SBP50□	SBP50□-G2M SBP50□-G3M	SBP50□-G2F SBP50□-G3F
SBP70□	SBP70□-G3M	SBP70□-G3F

Technical parameters

Model	Pull-out force N	Inner volume cm ³	Min.curve radius of workpiece mm	Weight g	Recommended hose dia. mm	MPQ pcs
SBP10	3.5	0.2	10	0.8	6	5
SBP15	7.9	0.5	25	1.4	6	5
SBP20	14	2	31	2.1	6	5
SBP30	31	4	47	4.8	6	5
SBP40	56.5	9	59	11.5	6	1
SBP50	88	17	68	20.7	8	1
SBP70	173	55	91	68.3	10	1

◇ Note: Testing vacuum level -60kPa, workpiece with smooth and clean surface. The data of pull-out force as above are figured out without considering safety factor. The data may be different according to different workpiece surfaces. Recommend the length of vacuum hose to be as short as possible, max 2m.

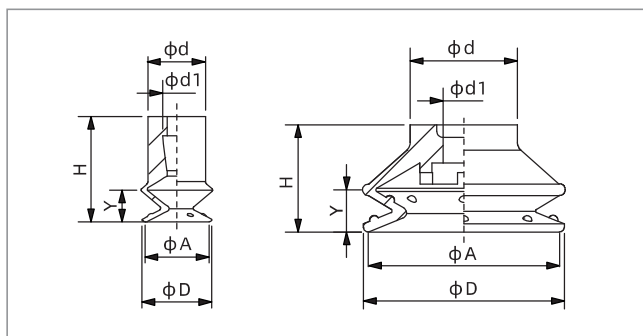
- SZ
- SP3
- SUF
- SAN
- SAO
- SOFA
- STP
- SFT
- SFA
- SBT
- SBL
- SBLP
- SBS
- SFP
- SBP**
- SXP
- SGP
- SBOF
- STC
- SFF
- SOB
- SOE
- SOG
- SFM
- SOM
- SBF
- SDM
- SFU
- SFK
- SHT
- SDL
- SFG
- SFGT
- SFD
- SB
- SBA
- SF
- SU
- SPA
- SPD
- SPF
- SPC
- SPJ
- SPU
- SH
- SHB
- SBB
- SOP
- SNP

SBP Series

PU Bellows Suction Cup



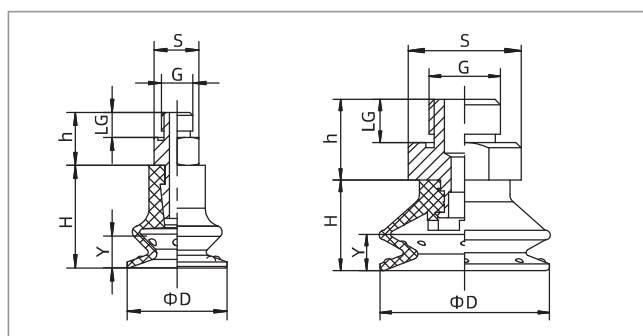
Dimensions(mm)



SBP10-15

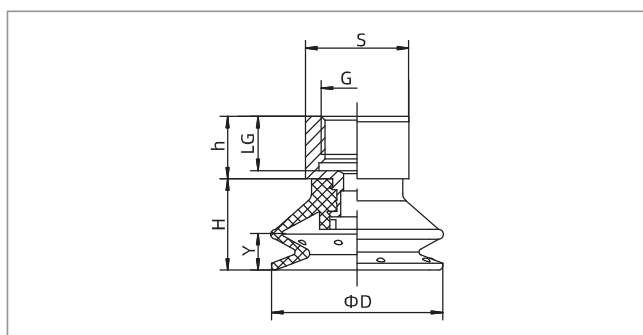
SBP20-50

Model/Size	D	H	A	d	d1	Y
SBP10□	10.9	16.5	10	9	5	5
SBP15□	16	19	15	9	5.5	5.8
SBP20□	21	18	20	12	5	7.5
SBP30□	31.5	16.8	30	16.8	6.5	6.6
SBP40□	42	22.4	40	22.4	6.5	8.8
SBP50□	52.5	29.3	50	28	10.5	12.3



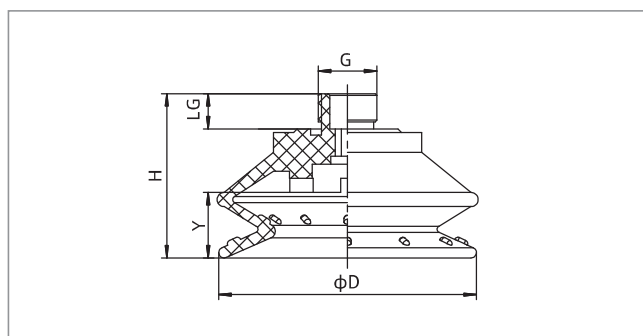
SBP10-50 Male thread connection

Model/Size	D	H	G	h	LG	S	Y
SBP10□-M5M	10.9	16.5	M5×0.8	7.5	3.5	7	5
SBP15□-M5M	16	19	M5×0.8	7.5	3.5	7	5.8
SBP20□-G1M	21	18	G1/8	7.8	6	13	7.5
SBP30□-G1M	31.5	16.8	G1/8	12	6	17	6.6
SBP40□-G1M	42	22.4	G1/8	12	6	17	8.8
SBP50□-G2M	52.5	29.3	G1/4	17	9	24	12.3
SBP50□-G3M	52.5	29.3	G3/8	18	10	24	12.3



SBP20-50 Female thread connection

Model/Size	D	H	G	h	LG	S	Y
SBP20□-G1F	21	18	G1/8	8	7	13	7.5
SBP30□-G1F	31.5	16.8	G1/8	10	7	17	6.6
SBP40□-G1F	42	22.4	G1/8	10	7	17	8.8
SBP50□-G2F	52.5	29.3	G1/4	13	10	24	12.3
SBP50□-G3F	52.5	29.3	G3/8	13	11	24	12.3



SBP70 Male thread connection

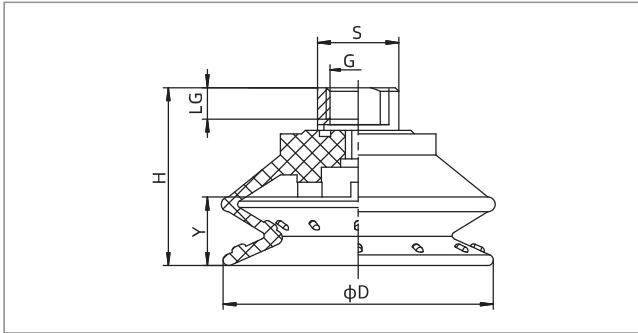
Model/Size	D	H	G	LG	Y
SBP70□-G3M	73	46.5	G3/8	10	16.5

SBP Series

PU Bellows Suction Cup



Dimensions(mm)



Model/Size	D	H	G	LG	S	Y
SBP70□-G3F	73	48	G3/8	11.5	22	16.5

SBP70 Female thread connection

◇ Note: The dimensional tolerance conforms to GBT3672.1-2002-1 M3 rubber product dimensional tolerance standard

Mounting parts

Item	Model		Applicable suction cup
	M - Male thread	F - Female thread	
Fitting for suction cup	PJS-M5M-SC3	-	SBP10, 15
	PJS-G1M-SF1-EW	PJS-G1F-SF1-EW	SBP20
	PJS-G1M-SF2-EW	PJS-G1F-SF2-EW	SBP30, 40
	PJS-G2M-SF3-EW	PJS-G2F-SF3-EW	SBP50
	PJS-G3M-SF3-EW	PJS-G3F-SF3-EW	SBP50

- SZ
- SP3
- SUF
- SAN
- SAO
- SOFA
- STP
- SFT
- SFA
- SBT
- SBL
- SBLP
- SBS
- SFP
- SBP**
- SXP
- SGP
- SBOF
- STC
- SFF
- SOB
- SOF
- SOG
- SFM
- SOM
- SBF
- SDM
- SFU
- SFK
- SHT
- SDL
- SFG
- SFGT
- SFD
- SB
- SBA
- SF
- SU
- SPA
- SPD
- SPF
- SPC
- SPJ
- SPU
- SH
- SHB
- SBB
- SOP
- SNP