

SBS Series

Bellows Suction Cup Special for Spherical Objects

AIRBEST



SPHERICAL OBJECT



FDA



Suction Cup

Features

- ◇ Ultra-soft and tapered sealing lip
- ◇ Special inner structure
- ◇ Food grade silicone

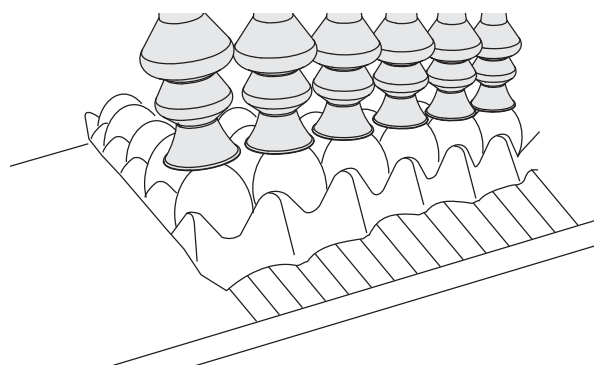
Advantages

- ◇ Effectively fit surface of spherical workpiece
- ◇ The corresponding suction cup can be accurately selected according to the shape of the adsorbed food
- ◇ Direct contact with food



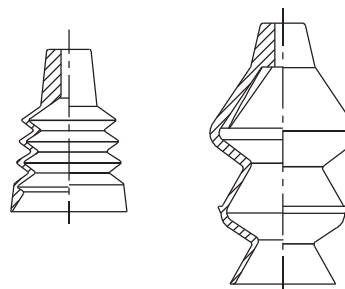
Applications

- ◇ Directly contact and handle candy and food, which are round, oval, and with irregular shapes
- ◇ Handling food with irregular surfaces or decorative shapes
- ◇ Multiple bellows suction cups are suitable for handling soft-contact food, such as eggs



Structure

- ◇ Special sealing lip, suitable for handling irregular products
- ◇ Ultra-thin, soft and tapered sealing lip, suitable for handling fragile objects



- SZ
- SP3
- SUF
- SAN
- SAO
- SOFA
- STP
- SFT
- SFA
- SBT
- SBL
- SBLP**
- SBS**
- SFP
- SBP
- SXP
- SGP
- SBOF
- STC
- SFF
- SOB
- SOE
- SOG
- SFM
- SOM
- SBF
- SDM
- SFU
- SFK
- SHT
- SDL
- SFG
- SFGT
- SFD
- SB
- SBA
- SF
- SU
- SPA
- SPD
- SPF
- SPC
- SPJ
- SPU
- SH
- SHB
- SBB
- SOP
- SNP

SBS Series



Bellows Suction Cup Special for Spherical Objects

How to order

SBS 30 S

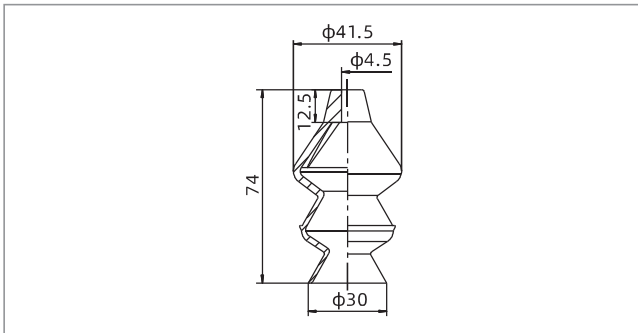
① ② ③

① Series	② Diameter	③ Material & Hardness
SBS	30 - ϕ 30mm	S - Silicone 35
	33 - ϕ 33mm	WS - White silicone 50
	34 - ϕ 34mm	WSA - White silicone 30
	35 - ϕ 35mm	

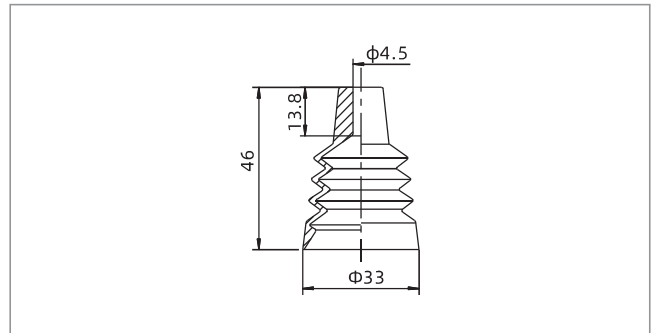
Selection

Model	Material S	WS	WSA	MPQ pcs	Weight g
SBS30	SBS30S	-	-	1	17
SBS33	-	SBS33WS	SBS33WSA	1	8
SBS34	-	SBS34WS	SBS34WSA	1	19.3
SBS35	-	SBS35WS	SBS35WSA	1	9.7

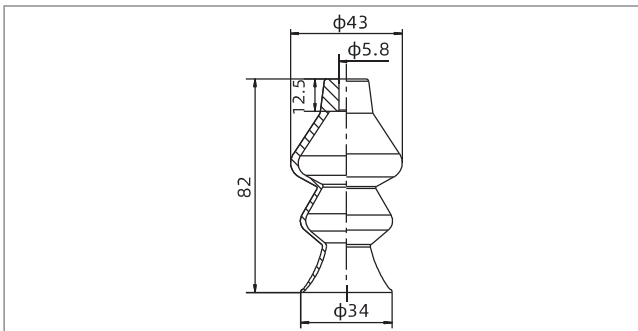
Dimensions(mm)



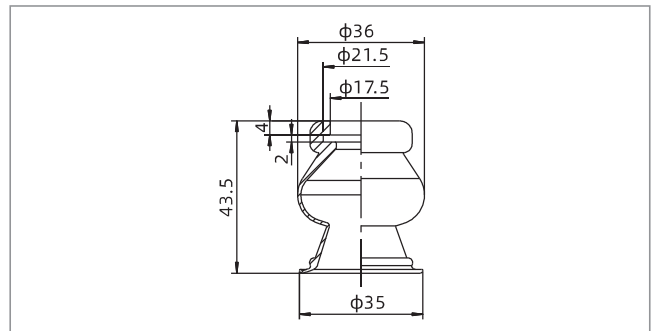
SBS30



SBS33



SBS34



SBS35

◇ Note: The dimensional tolerance conforms to GBT3672.1-2002-1 M3 rubber product dimensional tolerance standard