

SDM Series



Flat Suction Cup Special for Metal Sheet



METAL SHEET



SLIPPING RESISTANCE



OILY SURFACE



Features

- ◇ PU material
- ◇ Thicken the wall thickness, internal reinforced rib structure design

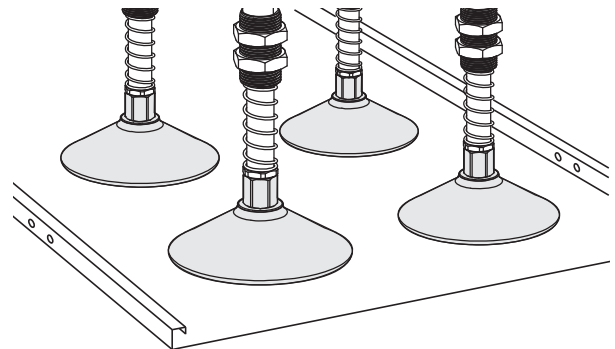
Advantages

- ◇ Long lifetime, excellent wear resistance, ozone resistance, oil resistance
- ◇ Effectively prevent deformation of metal sheet during handling



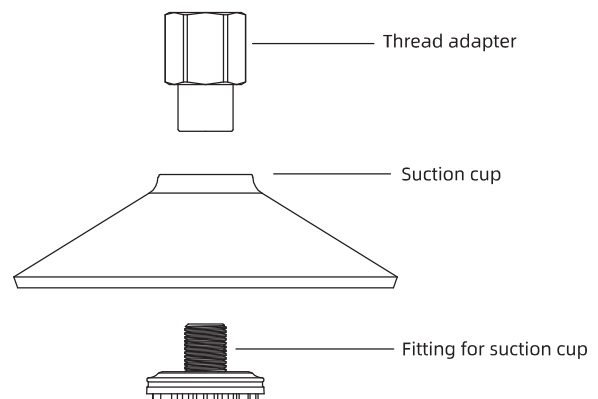
Applications

- ◇ Handling metal sheet and aluminum plate without deformation



Structure

- ◇ Split structure design, wearing parts can be replaced separately



SDM Series

Flat Suction Cup Special for Metal Sheet



How to order

SDM 100 U - G3F

① ② ③ ④

① Series	② Diameter	③ Material & Hardness	④ Connection thread
SDM	100 - ϕ 100mm	U - PU 70	Nil - Suction cup only G2F - G1/4 female thread G3F - G3/8 female thread

Selection

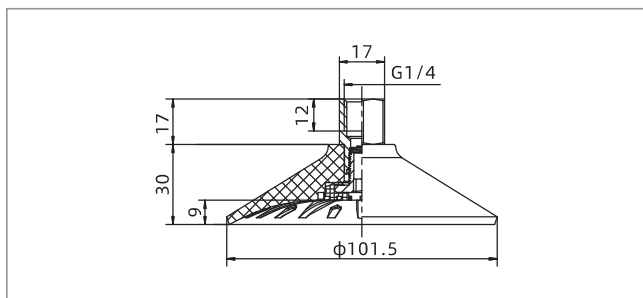
Model	Connection thread G2F	G3F
SDM100U	SDM100U-G2F	SDM100U-G3F

Technical parameters

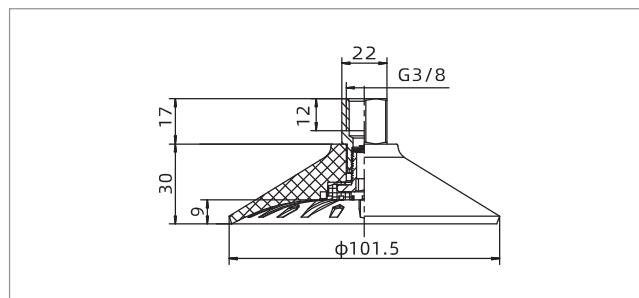
Model	Pull-out force N	Inner volume cm ³	Min.curve radius of workpiece mm	Weight g	Recommended hose dia. mm	MPQ pcs
SDM100	375	56	160	62	8	1

◇ Note: Testing vacuum level -60kPa, workpiece with smooth and clean surface. The data of pull-out force as above are figured out without considering safety factor. The data may be different according to different workpiece surfaces.

Dimensions(mm)



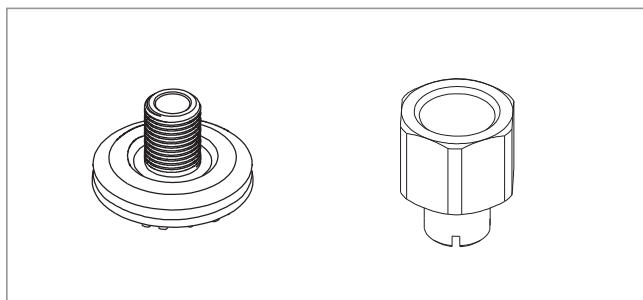
SDM100U-G2F



SDM100U-G3F

◇ Note: The dimensional tolerance conforms to GBT3672.1-2002-1 M3 rubber product dimensional tolerance standard

Mounting parts



PJS - Fitting for suction cup

PJT - Thread adapter

Item	Model	Applicable suction cup
Fitting for suction cup	PJS-G1M-SFM80	SDM100
Thread adapter	PJT-G1F-G2F	SDM100
	PJT-G1F-G3F	SDM100