

SFD Series

Flat Suction Cup Special for Wood Industry

AIRBEST



Suction Cup

Features

- ◇ Double sealing lip
- ◇ With large area support structure at the bottom

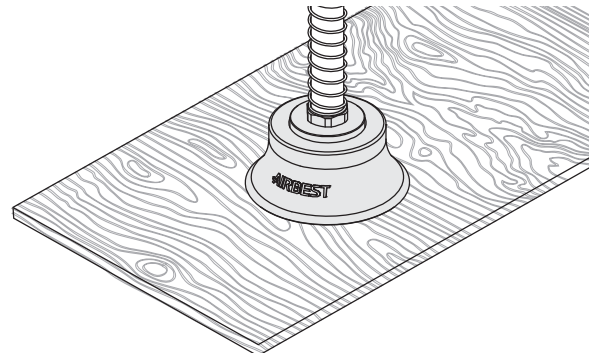
Advantages

- ◇ Excellent airtightness for workpieces with rough or smooth surfaces
- ◇ Prevent thin workpiece from permanent deformation



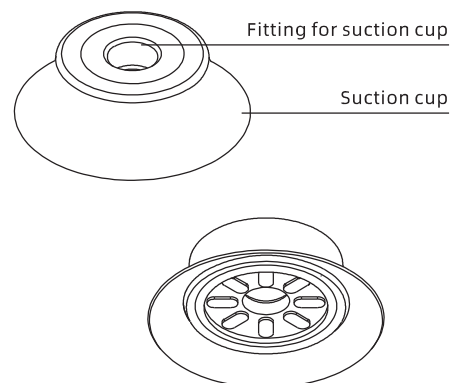
Applications

- ◇ Suitable for even workpiece with slightly rough surface, such as wooden plate, wooden floor, wooden doors, etc



Structure

- ◇ Double sealing lip
- ◇ Suction cup and fitting are split structure design, wearing parts can be replaced separately



SZ
SP3
SUF
SAN
SAO
SOFA
STP
SFT
SFA
SBT
SBL
SBLP
SBS
SFP
SBP
SXP
SGP
SBOF
STC
SFF
SOB
SOF
SOG
SFM
SOM
SBF
SDM
SFU
SFK
SHT
SDL
SFG
SFGT
SFD
SB
SBA
SF
SU
SPA
SPD
SPF
SPC
SPJ
SPU
SH
SHB
SBB
SOP
SNP

SFD Series

Flat Suction Cup Special for Wood Industry



How to order

SFD 40 NR - G1F

① ② ③ ④

① Series	② Diameter	③ Material & Hardness	④ Connection thread
SFD	40 - ϕ 40mm	N - NBR 55	Nil - Suction cup only
	70 - ϕ 70mm	WS - White silicone 50	G1F - G1/8 female thread
		NR - Natural rubber 40	G2F - G1/4 female thread

Selection

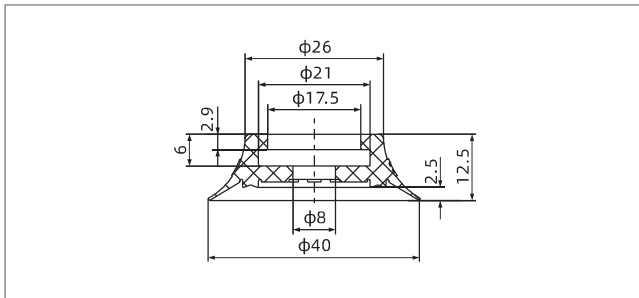
Model	Connection thread F - Female thread
SFD40□	SFD40□-G1F
SFD70□	SFD70□-G2F

Technical parameters

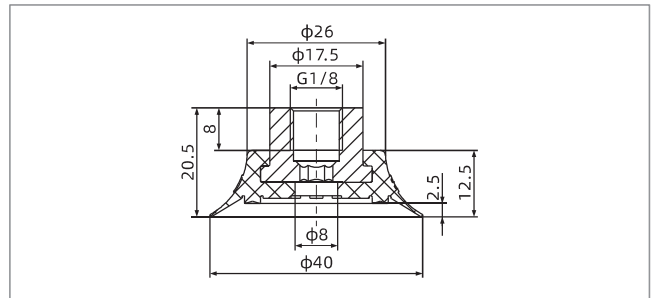
Model	Pull-out force N	Inner volume cm ³	Min.curve radius of workpiece mm	Weight g	Recommended hose dia. mm	MPQ pcs
SFD40	60	3.8	48	4.8	8	1
SFD70	185	25	85	32.2	8	1

◇ Note: Testing vacuum level -60kPa, workpiece with smooth and clean surface. The data of pull-out force as above are figured out without considering safety factor. The data may be different according to different workpiece surfaces. Recommend the length of vacuum hose to be as short as possible, max 2m.

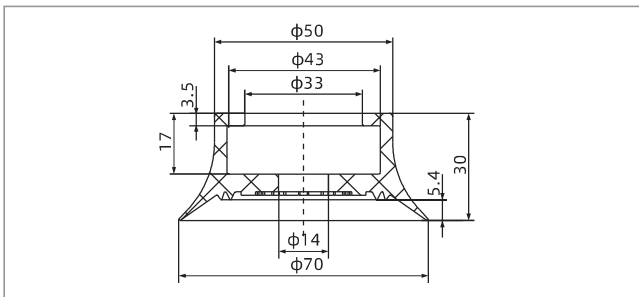
Dimensions(mm)



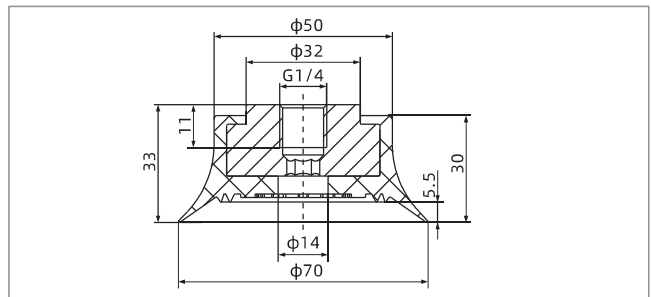
SFD40



SFD40□-G1F



SFD70



SFD70□-G2F

◇ Note: The dimensional tolerance conforms to GBT3672.1-2002-1 M3 rubber product dimensional tolerance standard