

SFG Series

Flat Suction Cup Special for Glass Industry

AIRBEST



GLASS



SLIPPING
RESISTANCE



HIGH SEALING



Features

- ◇ Double flat sealing lips
- ◇ Inner large area pattern support structure at the bottom
- ◇ Small inner volume, two compressed stroke
- ◇ Some specifications are split structure
- ◇ Various sizes are available

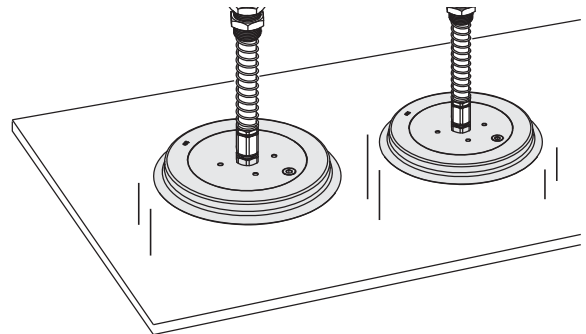
Advantages

- ◇ Excellent airtightness
- ◇ Large friction coefficients, prevent deformation of workpiece
- ◇ Short work cycle, with high stroke, it can suck glass with a certain curvature
- ◇ Metal parts can be used repeatedly, reducing customer's cost greatly
- ◇ Suitable for workpieces with different sizes and shapes



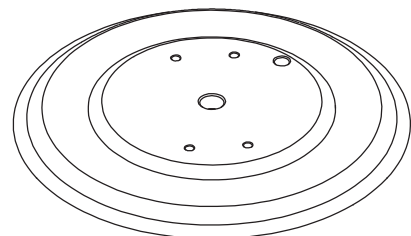
Applications

- ◇ Handling workpieces with smooth surface such as glass, plastic plate, ect. Realizing long time pressure holding
- ◇ Handling big workpieces with a certain curvature on surface, such as car windshields
- ◇ Handling thin workpieces, such as flat glass or coated glass
- ◇ Handling glass plate surfaced with separation powder or stripping powder



Structure

- ◇ Double sealing lip, special pattern structure
- ◇ For SFG200 and diameter less than 200mm, they are split structure, wearing parts can be replaced separately. For diameter more than 200mm, they are one-piece structure
- ◇ With large area aluminum fitting for suction cup, it can effectively prevent light and thin workpiece from bending when handling heavy load workpieces
- ◇ Standard stroke and high stroke are optional, with high stroke, it can suck glass with a certain curvature
- ◇ With separate functional port



SFG Series

Flat Suction Cup Special for Glass Industry



- SZ
- SP3
- SUF
- SAN
- SAO
- SOFA
- STP
- SFT
- SFA
- SBT
- SBL
- SBLP
- SBS
- SFP
- SBP
- SXP
- SGP
- SBOF
- STC
- SFF
- SOB
- SOE
- SOG
- SFM
- SOM
- SBF
- SDM
- SFU
- SFK
- SHT
- SDL
- SFG
- SFGT
- SFD
- SB
- SBA
- SF
- SU
- SPA
- SPD
- SPF
- SPC
- SPJ
- SPU
- SH
- SHB
- SBB
- SOP
- SNP

How to order

SFG 150 H E - G4F

① ② ③ ④ ⑤

① Series	② Diameter	③ Stroke	④ Material & Hardness	⑤ Connection thread
SFG	125 - ϕ 125mm	Nil - Standard stroke	E - EPDM	55 G2F - G1/4 female thread
	150 - ϕ 150mm	H - High stroke	HD - High temp/ Mark free material	60 G3F - G3/8 female thread
	200 - ϕ 200mm			G4F - G1/2 female thread
	250 - ϕ 250mm			
	300 - ϕ 300mm			
	350 - ϕ 350mm			
	400 - ϕ 400mm			

Selection

Model/ Stroke	H - High stroke
SFG125□-G2F SFG125□-G3F	-
SFG150□-G4F	SFG150H□-G4F
SFG200□-G4F	-
-	SFG250H□-G4F
-	SFG300H□-G4F
-	SFG350H□-G4F
SFG400□-G4F	-

Technical parameters

Model	Pull-out force N	Inner volume cm ³	Min.curve radius of workpiece mm	Weight g	Recommended hose dia. mm	MPQ pcs
SFG125	740	44	1,500	290	8	1
SFG150	1,100	65	2,000	490	8	1
SFG150H	1,100	119	370	490	8	1
SFG200	1,950	144	3,500	1,040	10	1
SFG250H	2,950	372	1,600	950	10	1
SFG300H	4,300	550	2,400	1,510	12	1
SFG350H	5,780	779	3,000	2,040	12	1
SFG400	7,600	560	13,500	2,635	12	1

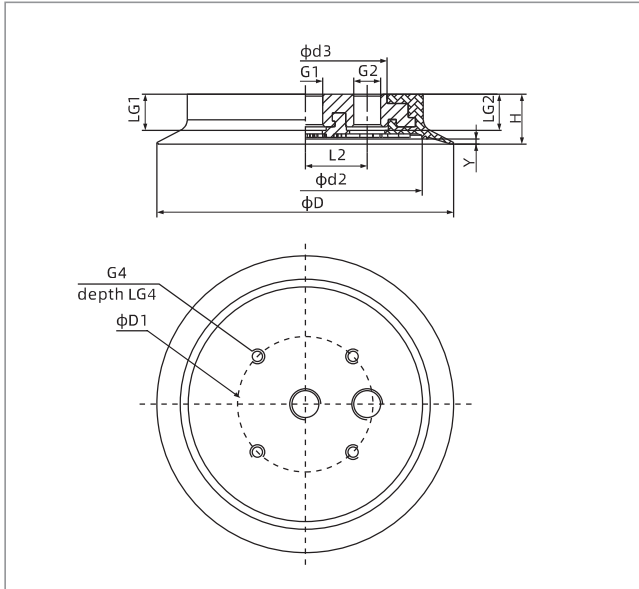
◇ Note: Testing vacuum level -60kPa, workpiece with smooth and clean surface. The data of pull-out force as above are figured out without considering safety factor. The data may be different according to different workpiece surfaces. Recommend the length of vacuum hose to be as short as possible, max 2m.

SFG Series

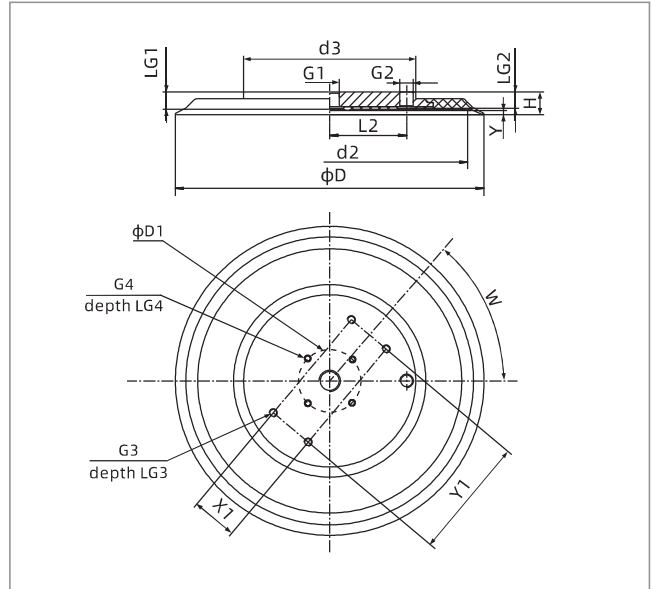
Flat Suction Cup Special for Glass Industry



Dimensions(mm)



SFG125-200



SFG250-400

Model/Size	D	d2	d3	G1	G2	G3	G4	D1	H	L2	LG1	LG2	LG3	LG4	W	X1	Y1	Y
SFG125□-G2F	125	100	70	G1/4	G1/4	-	4-M6	59	21.5	26.5	14	14	-	8	-	-	-	3
SFG125□-G3F	125	100	70	G3/8	G1/4	-	4-M6	59	21.5	26.5	14	14	-	8	-	-	-	3
SFG150□-G4F	150	125	93	G1/2	G1/4	-	4-M6	59	21.5	36.5	14	14	-	8	-	-	-	3.3
SFG150H□-G4F	150	126	70	G1/2	G1/4	-	4-M6	59	26	26.5	14	14	-	8	-	-	-	7.5
SFG200□-G4F	200	185	134	G1/2	G1/4	-	4-M6	59	22	52.8	14	14	-	8	-	-	-	3.6
SFG250H□-G4F	250	217	140	G1/2	G1/4	4-M8	4-M6	59	27	52.5	14.5	14.5	12	8	70	45	100	9
SFG300H□-G4F	300	272	170	G1/2	G1/4	4-M8	4-M8	59	27	76	14.5	14.5	12	10	50	45	120	9
SFG350H□-G4F	350	317	170	G1/2	G1/4	4-M8	4-M8	59	27	76	14.5	14.5	12	10	50	45	120	9
SFG400□-G4F	400	372	170	G1/2	G1/4	4-M8	4-M8	59	22.5	76	14.5	14.5	12	10	50	45	120	4.5

◇ Note: The dimensional tolerance conforms to GB/T3672.1-2002-1 M3 rubber product dimensional tolerance standard

Mounting parts

Item	Model	Applicable suction cup
Rubber parts for suction cup	SFG125E SFG125HD	SFG125□-G2F SFG125□-G3F
	SFG150E SFG150HD	SFG150□-G4F
	SFG150HE SFG150HHD	SFG150H□-G4F
	SFG200E SFG200HD	SFG200□-G4F

◇ Note: When you buy rubber parts only, pls ensure that the fitting for suction cup you buy is in good condition, and send it back to factory to replace the rubber parts