

SFP Series

PU Flat Suction Cup



PACKAGING



LONG LIFETIME



Features

- ◇ Support structure at bottom
- ◇ PU material
- ◇ Various sizes are available

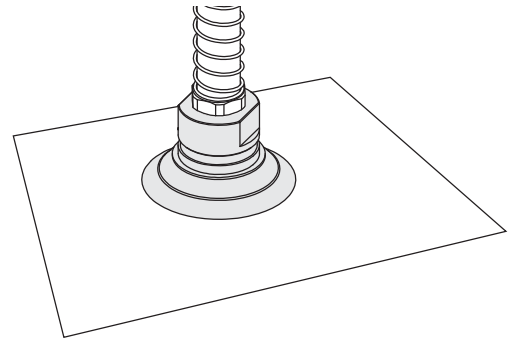
Advantages

- ◇ Preventing thin workpieces from permanent deformation
- ◇ Good wear resistance, long lifetime
- ◇ Suitable for workpieces with different sizes and shapes



Applications

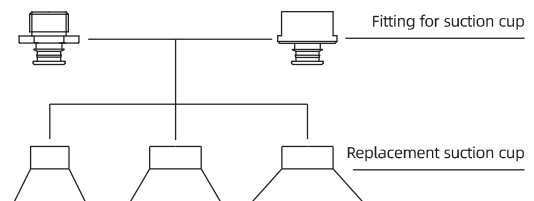
- ◇ Suitable for handling cardboard box or cardboard
- ◇ Suitable for handling carton or handling in packaging machinery
- ◇ Suitable for stacking and unstacking
- ◇ PU material has good wear resistance, suitable for heavy load occasions



Structure

- ◇ Suction cup and fitting are split structure design
- ◇ Fitting for suction cup is with mesh filter

In same series, replacement suction cup and fitting can be combined on request



- SZ
- SP3
- SUF
- SAN
- SAO
- SOFA
- STP
- SFT
- SFA
- SBT
- SBL
- SBLP
- SBS**
- SFP**
- SBP
- SXP
- SGP
- SBOF
- STC
- SFF
- SOB
- SOE
- SOG
- SFM
- SOM
- SBF
- SDM
- SFU
- SFK
- SHT
- SDL
- SFG
- SFGT
- SFD
- SB
- SBA
- SF
- SU
- SPA
- SPD
- SPF
- SPC
- SPJ
- SPU
- SH
- SHB
- SBB
- SOP
- SNP

SFP Series

PU Flat Suction Cup



How to order

SFP 20 U - G1F

① ② ③ ④

| ① Series | ② Diameter | ③ Material & Hardness | ④ Connection thread |
|----------|------------------|---|--------------------------|
| SFP | 20 - ϕ 20mm | U - PU 60 | Nil - Suction cup only |
| | 30 - ϕ 30mm | UY - PU 40 | G1M - G1/8 male thread |
| | 40 - ϕ 40mm | | G1F - G1/8 female thread |

Selection

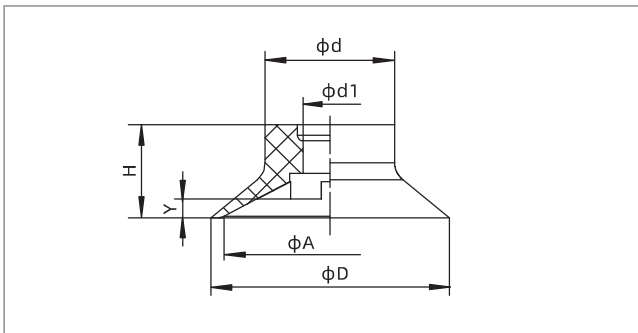
| Model | Connection thread | F - Female thread |
|--------|-------------------|-------------------|
| | M - Male thread | |
| SFP20□ | SFP20□-G1M | SFP20□-G1F |
| SFP30□ | SFP30□-G1M | SFP30□-G1F |
| SFP40□ | SFP40□-G1M | SFP40□-G1F |

Technical parameters

| Model | Pull-out force N | Inner volume cm ³ | Min.curve radius of workpiece mm | Weight g | Recommended hose dia. mm | MPQ pcs |
|-------|---------------------|---------------------------------|-------------------------------------|-------------|-----------------------------|------------|
| SFP20 | 14 | 0.36 | 24 | 1.1 | 6 | 5 |
| SFP30 | 21 | 1 | 42 | 2.5 | 6 | 5 |
| SFP40 | 56.5 | 2.7 | 52 | 6 | 6 | 5 |

◇ Note: Testing vacuum level -60kPa, workpiece with smooth and clean surface. The data of pull-out force as above are figured out without considering safety factor. The data may be different according to different workpiece surfaces. Recommend the length of vacuum hose to be as short as possible, max 2m.

Dimensions(mm) - Suction cup only



SFP20-40

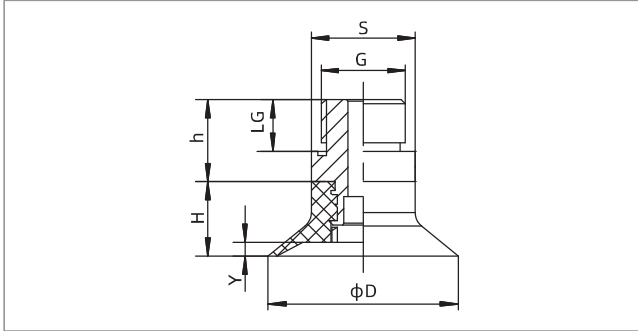
| Model/Size | D | H | A | d | d1 | y |
|------------|----|------|----|------|-----|-----|
| SFP20□ | 22 | 8.6 | 20 | 12 | 5 | 1.6 |
| SFP30□ | 31 | 10.5 | 30 | 15.8 | 5 | 2 |
| SFP40□ | 41 | 14 | 40 | 21 | 6.5 | 2.5 |

SFP Series

PU Flat Suction Cup

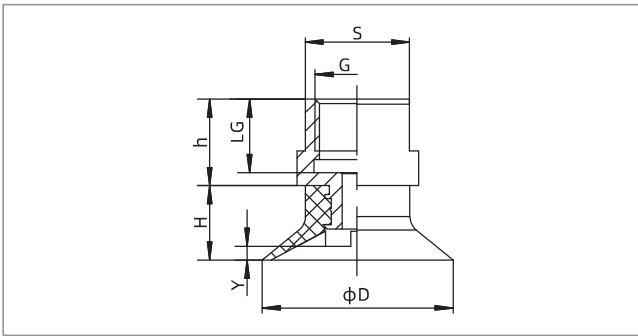


Dimensions(mm)



SFP20-40 Male thread connection

| Model/Size | D | H | G | h | LG | S | Y |
|------------|----|------|------|-----|----|----|-----|
| SFP20□-G1M | 22 | 8.6 | G1/8 | 7.8 | 6 | 13 | 1.6 |
| SFP30□-G1M | 31 | 10.5 | G1/8 | 7.8 | 6 | 13 | 2 |
| SFP40□-G1M | 41 | 14 | G1/8 | 12 | 6 | 17 | 2.5 |



SFP20-40 Female thread connection

| Model/Size | D | H | G | h | LG | S | Y |
|------------|----|------|------|----|----|----|-----|
| SFP20□-G1F | 22 | 8.6 | G1/8 | 8 | 7 | 13 | 1.6 |
| SFP30□-G1F | 31 | 10.5 | G1/8 | 8 | 7 | 13 | 2 |
| SFP40□-G1F | 41 | 14 | G1/8 | 10 | 7 | 17 | 2.5 |

◇ Note: The dimensional tolerance conforms to GB/T3672.1-2002-1 M3 rubber product dimensional tolerance standard

Mounting parts

| Item | Model | | Applicable suction cup |
|-------------------------|-----------------|-------------------|------------------------|
| | M - Male thread | F - Female thread | |
| Fitting for suction cup | PJS-G1M-SF1-EW | PJS-G1F-SF1-EW | SFP20, 30 |
| | PJS-G1M-SF2-EW | PJS-G1F-SF2-EW | SFP40 |

- SZ
- SP3
- SUF
- SAN
- SAO
- SOFA
- STP
- SFT
- SFA
- SBT
- SBL
- SBLP
- SBS
- SFP**
- SBP
- SXP
- SGP
- SBOF
- STC
- SFF
- SOB
- SOF
- SOG
- SFM
- SOM
- SBF
- SDM
- SFU
- SFK
- SHT
- SDL
- SFG
- SFGT
- SFD
- SB
- SBA
- SF
- SU
- SPA
- SPD
- SPF
- SPC
- SPJ
- SPU
- SH
- SHB
- SBB
- SOP
- SNP