

# SGP Series

## PU Bellows Suction Cup

AIRBEST



PACKAGING



LONG LIFETIME



### Features

- ◇ 2.5 Bellows
- ◇ Internal support structure at bottom
- ◇ PU material
- ◇ Various sizes are available

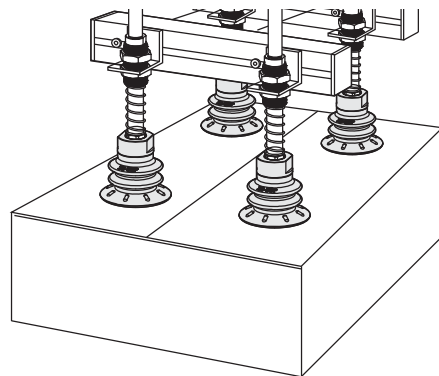
### Advantages

- ◇ Easy to fit uneven surface of workpiece, and has buffer effect
- ◇ Prevent thin workpieces from permanent deformation
- ◇ Good wear resistance, long lifetime
- ◇ Suitable for workpieces with different sizes and shapes



### Applications

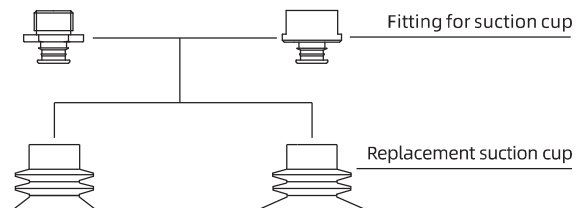
- ◇ Suitable for workpieces with every uneven surfaces, such as cartons, pipes, etc, fit surfaces perfectly
- ◇ Suitable for handling cardboard box or cardboard
- ◇ Suitable for handling carton or handling in packaging machinery
- ◇ PU material has good wear resistance, suitable for heavy load occasions



### Structure

- ◇ Suction cup and fitting are split structure design
- ◇ Fitting for suction cup is with filter mesh

In same series, replacement suction cup and fitting can be combined on request



# SGP Series

## PU Bellows Suction Cup



### How to order

## SGP 35 U - G1F

①      ②      ③      ④

① Series	② Diameter	③ Material & Hardness	④ Connection thread
SGP	25 - $\phi$ 25mm	U - PU <span style="background-color: #008000; color: white; padding: 2px;">55</span>	Nil - Suction cup only
	35 - $\phi$ 35mm	UD - PU <span style="background-color: #0000FF; color: white; padding: 2px;">30</span>	G1M - G1/8 male thread
	45 - $\phi$ 45mm		G2M - G1/4 male thread
	55 - $\phi$ 55mm		G3M - G3/8 male thread G1F - G1/8 female thread G2F - G1/4 female thread G3F - G3/8 female thread

### Selection

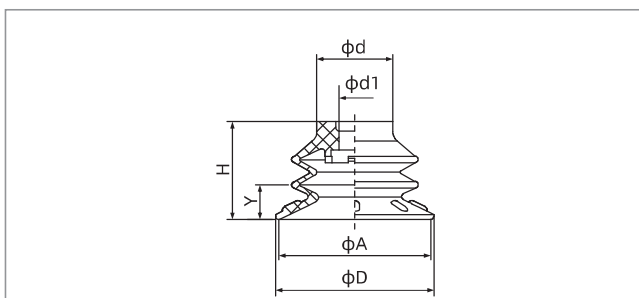
Model	Connection thread	
	M - Male thread	F - Female thread
SGP25□	SGP25□-G1M	SGP25□-G1F
SGP35□	SGP35□-G1M	SGP35□-G1F
SGP45□	SGP45□-G1M	SGP45□-G1F
SGP55□	SGP55□-G2M    SGP55□-G3M	SGP55□-G2F    SGP55□-G3F

### Technical parameters

Model	Pull-out force N	Inner volume cm <sup>3</sup>	Min.curve radius of workpiece mm	Weight g	Recommended hose dia. mm	MPQ pcs
SGP25	22	3	31	2	6	5
SGP35	43	6	42	4.8	6	5
SGP45	71	13	54	11	6	1
SGP55	106	23	64	19.9	8	1

◇ Note: Testing vacuum level -60kPa, workpiece with smooth and clean surface. The data of pull-out force as above are figured out without considering safety factor. The data may be different according to different workpiece surfaces. Recommend the length of vacuum hose to be as short as possible, max 2m.

### Dimensions(mm)



Model/Size	D	H	A	d	d1	y
SGP25□	25	15.5	24	12	5	5.5
SGP35□	35	22.3	33.4	16.5	5	8.4
SGP45□	45	29.3	42.8	16.8	6.6	11.5
SGP55□	55	36.3	52.4	27.5	10.5	12.9

SGP25-55

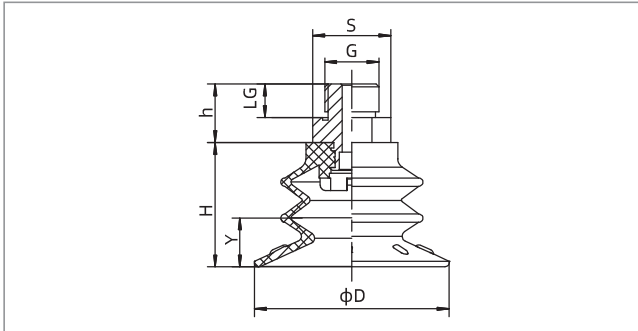
- SZ
- SP3
- SUF
- SAN
- SAO
- SOFA
- STP
- SFT
- SFA
- SBT
- SBL
- SBLP
- SBS
- SFP
- SBP
- SXP
- SGP**
- SBOF
- STC
- SFF
- SOB
- SOE
- SOG
- SFM
- SOM
- SBF
- SDM
- SFU
- SFK
- SHT
- SDL
- SFG
- SFGT
- SFD
- SB
- SBA
- SF
- SU
- SPA
- SPD
- SPF
- SPC
- SPJ
- SPU
- SH
- SHB
- SBB
- SOP
- SNP

# SGP Series

## PU Bellows Suction Cup

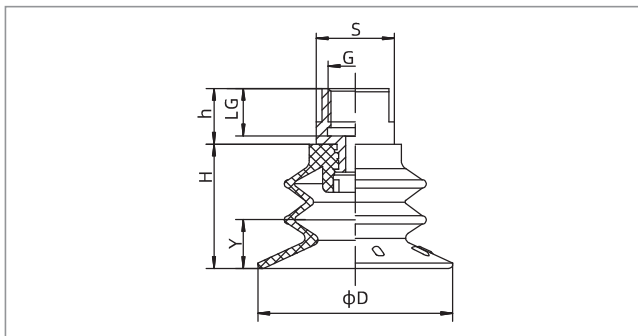


### Dimensions(mm)



SGP25-55 Male thread connection

Model/Size	D	H	G	h	LG	S	Y
SGP25□-G1M	25	15.5	G1/8	7.8	6	13	5.5
SGP35□-G1M	35	22.3	G1/8	7.8	6	13	8.4
SGP45□-G1M	45	29.3	G1/8	12	6	17	11.5
SGP55□-G2M	55	36.3	G1/4	17	9	24	12.9
SGP55□-G3M	55	36.3	G3/8	18	10	24	12.9



SGP25-55 Female thread connection

Model/Size	D	H	G	h	LG	S	Y
SGP25□-G1F	25	15.5	G1/8	8	7	13	5.5
SGP35□-G1F	35	22.3	G1/8	8	7	13	8.4
SGP45□-G1F	45	29.3	G1/8	10	7	17	11.5
SGP55□-G2F	55	36.3	G1/4	13	10	24	12.9
SGP55□-G3F	55	36.3	G3/8	13	11	24	12.9

◇ Note: The dimensional tolerance conforms to GB/T3672.1-2002-1 M3 rubber product dimensional tolerance standard

### Mounting parts

Item	Model		Applicable suction cup
	M - Male thread	F - Female thread	
Fitting for suction cup	PJS-G1M-SF1-EW	PJS-G1F-SF1-EW	SGP25, 35
	PJS-G1M-SF2-EW	PJS-G1F-SF2-EW	SGP45
	PJS-G2M-SF3-EW	PJS-G2F-SF3-EW	SGP55
	PJS-G3M-SF3-EW	PJS-G3F-SF3-EW	SGP55