

SLF Series

Matrix Gripper



ELECTRONICS



POROUS

Features

- ◇ Various types for option, built-in vacuum generator type, external blower type, external vacuum generator type
- ◇ With throttling function
- ◇ Suction cups on the adsorbing area

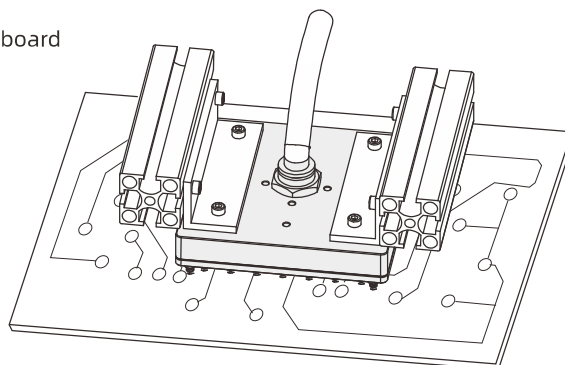


Advantages

- ◇ Easy to install and maintain
- ◇ Flexible selection according to the actual working condition
- ◇ Suitable for handling hollow or irregular workpieces, prevent the adhesion between workpieces
- ◇ Flexible gripping, prevent the deformation of the workpiece during handling

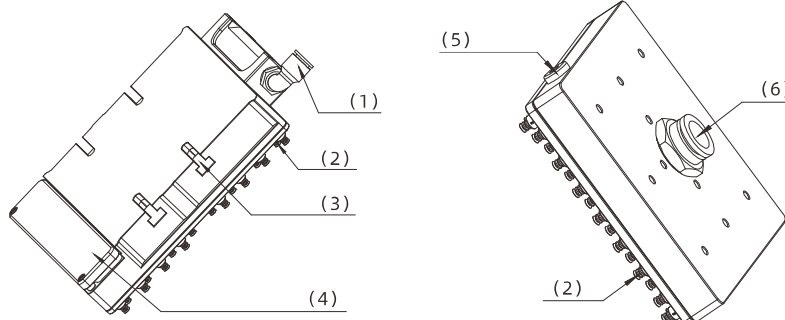
Application

- ◇ Suitable for handling porous workpieces, such as printed PCB, PVC board
- ◇ Handling irregular workpieces
- ◇ Suitable for electronic industry



Structure

- ◇ (1) Air supply port
- ◇ (2) Suction cups
- ◇ (3) T type installation slot
- ◇ (4) Exhaust port
- ◇ (5) Vacuum detecting port
- ◇ (6) Vacuum port



SLF Series

Matrix Gripper

How to order

SLF 180 S - 5 WS

① ② ③ ④ ⑤

① Series	② Size	③ Type of vacuum source	④ Dia.of suction cup	⑤ Suction cup material
SLF	140 - 140x140mm	Nil - Default, external blower	Nil - SPC7	Nil - NBR
	180 - 180x180mm	W - External vacuum generator	3 - SPC3	WS - White silicone
		S - Built-in flow type vacuum generator	5 - SPC5	E - EPDM
		X - Built-in vacuum type vacuum generator		

Selection

Model/ Type of vacuum source 140	140W	180	180W	180S	180X
SLF140	SLF140W	SLF180	SLF180W	SLF180S	SLF180X
SLF140-WS	SLF140W-WS	SLF180-WS	SLF180W-WS	SLF180S-WS	SLF180X-WS
SLF140-E	SLF140W-E	SLF180-E	SLF180W-E	SLF180S-E	SLF180X-E
SLF140-3	SLF140W-3	SLF180-3	SLF180W-3	SLF180S-3	SLF180X-3
SLF140-3WS	SLF140W-3WS	SLF180-3WS	SLF180W-3WS	SLF180S-3WS	SLF180X-3WS
SLF140-3E	SLF140W-3E	SLF180-3E	SLF180W3-E	SLF180S-3E	SLF180X-3E
SLF140-5	SLF140W-5	SLF180-5	SLF180W-5	SLF180S-5	SLF180X-5
SLF140-5WS	SLF140W-5WS	SLF180-5WS	SLF180W-5WS	SLF180S-5WS	SLF180X-5WS
SLF140-5E	SLF140W-5E	SLF180-5E	SLF180W-5E	SLF180S-5E	SLF180X-5E

Technical parameters

Model	Air supply pressure range bar	Working temperature °C	Vacuum source	QTY of suction cup pcs	Weight g
SLF140	1.0~7.0	0~60	External blower	186	890
SLF180	1.0~7.0	0~60	External blower	312	1,460
SLF140W	1.0~7.0	0~60	External large flow vacuum generator	114	1,070
SLF180W	1.0~7.0	0~60	External large flow vacuum generator	76	1,330

Technical parameters

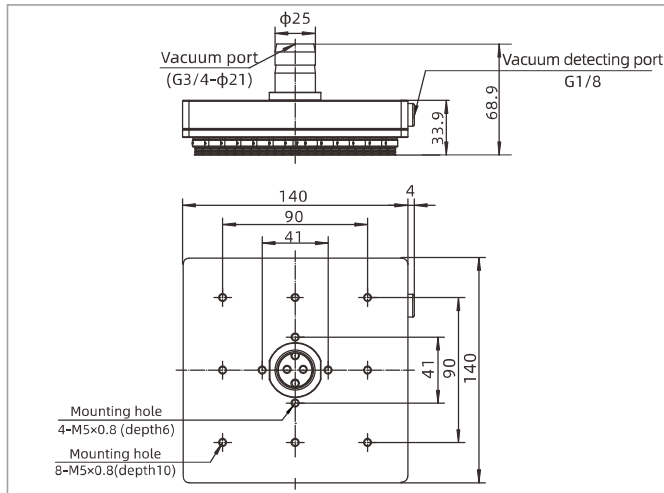
Model	Air supply pressure range bar	Rated air supply pressure bar	Max. vacuum level -kPa	Max. vacuum flow NL/min	Air consumption NL/min	Working temperature °C	QTY of suction cup pcs	Weight g
SLF180S	1.0~7.0	5.0	58	242	360	0~60	76	1,220
SLF180X	1.0~7.0	5.0	80	250	480	0~60	76	1,220

SLF Series

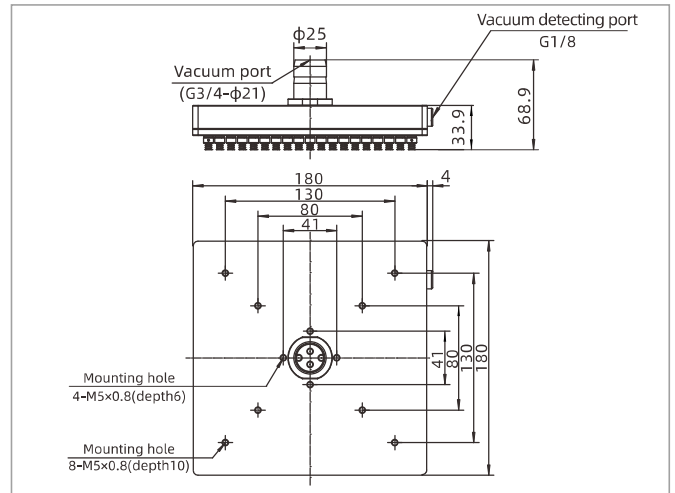
Matrix Gripper



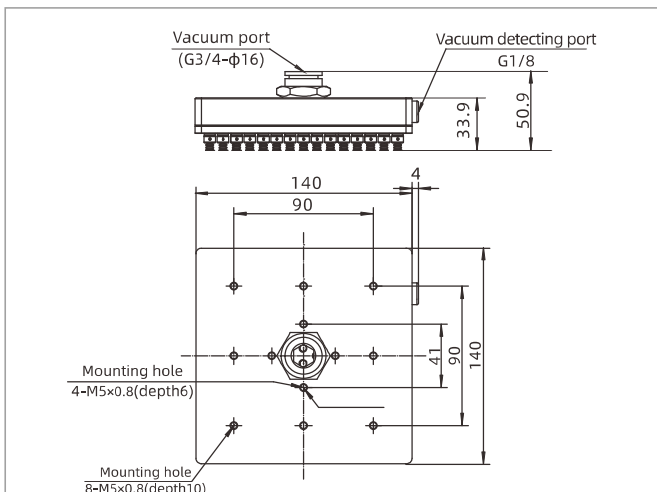
Dimensions(mm)



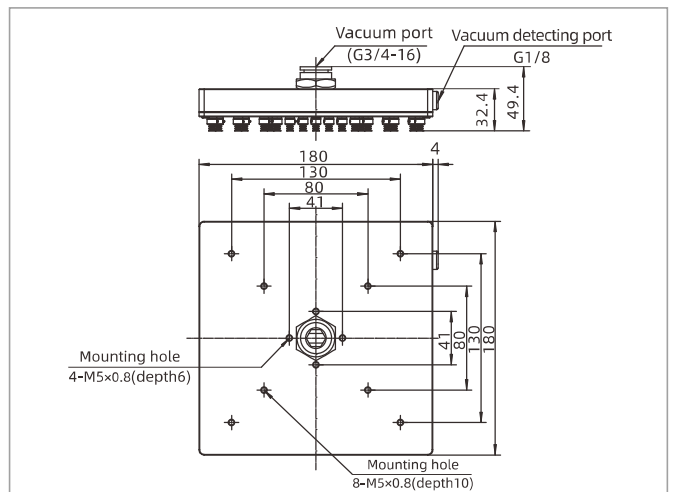
SLF140



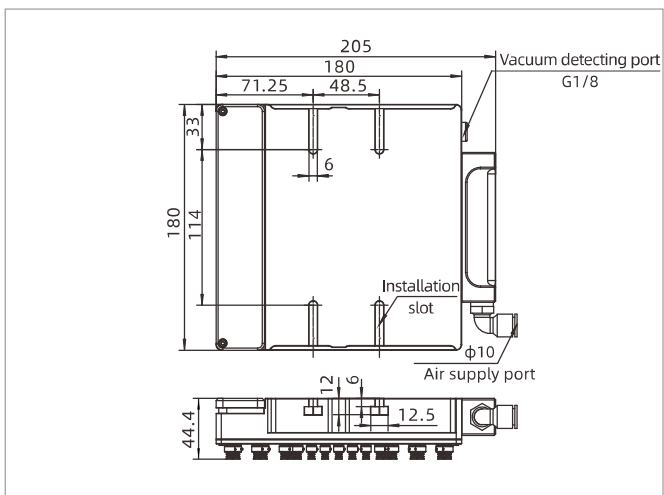
SLF180



SLF140W



SLF180W



SLF180X(S)