

SLW Series Wafer Gripper

AIRBEST



NEW ENERGY



COMPOSITE
MATERIAL



POROUS

Features

- ◇ Multihole adsorbing area, prevent the physical deformation of fragile workpiece
- ◇ Integrated with suction cup and vacuum generator
- ◇ Vertical exhaust and lateral exhaust for option
- ◇ Vertical and horizontal mounting types for option

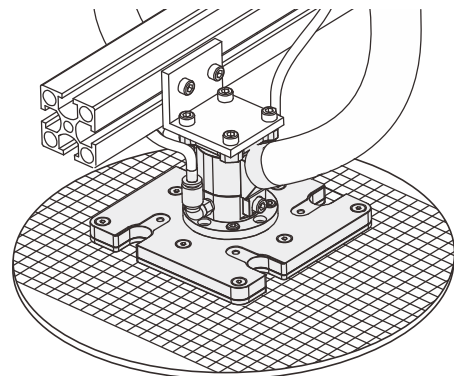
Advantages

- ◇ Reduce fragment rate
- ◇ With vacuum release port, improve efficiency
- ◇ Easy to install, different types for option
- ◇ Simple structure, integrated design, could connect to compressed air directly, no need extra vacuum generator



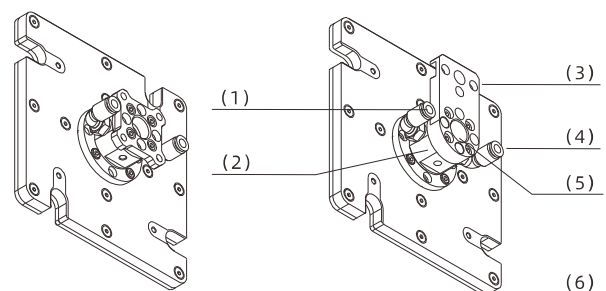
Application

- ◇ Suitable for handling fragile workpieces, such as silicon wafer, solar cell, glass, etc.



Structure

- ◇ (1) Air supply port
- ◇ (2) Vacuum generator
- ◇ (3) Mounting flange
- ◇ (4) Release/Vacuum detecting port
- ◇ (5) Exhaust port
- ◇ (6) Adsorbing area



SLW Series

Wafer Gripper

How to order

SLW 115 PK - M10 I - F1

① ② ③ ④ ⑤ ⑥

① Series	② Dimension	③ Material of suction cup	④ Specification of vacuum generator	⑤ Exhaust direction	⑥ Mounting flange
SLW	100 - 100x55mm	PK - PEEK	M10 - Diameter ϕ 10mm	I - Vertical exhaust	F1 - Vertical, 55x6mm
	115 - 115x115mm	AE - Aluminum plate+	M15 - Diameter ϕ 15mm	Y - Lateral exhaust	F3 - Horizontal, 71x9mm
	146 - 146x146mm	EPDM support cushion			F9 - Vertical, Triangular flange
	170 - 170x105mm	FT - Sponge+PTFE			
	120 - ϕ 120mm				
	150 - ϕ 150mm				
	180 - ϕ 180mm				

Selection

Model/ Specification of vacuum generator M10		M15	
SLW100PK-M10I-F1	SLW100PK-M10Y-F1	SLW120AE-M15I-F9	SLW120FT-M15I-F9
SLW100PK-M10I-F3	SLW100PK-M10Y-F3	-	-
SLW115PK-M10I-F1	SLW115PK-M10Y-F1	SLW150AE-M15I-F9	SLW150FT-M15I-F9
SLW115PK-M10I-F3	SLW115PK-M10Y-F3	-	-
SLW146PK-M10I-F1	SLW146PK-M10Y-F1	SLW180AE-M15I-F9	SLW180FT-M15I-F9
SLW146PK-M10I-F3	SLW146PK-M10Y-F3	-	-
SLW170PK-M10I-F1	SLW170PK-M10Y-F1	-	-
SLW170PK-M10I-F3	SLW170PK-M10Y-F3	-	-

Technical parameters

Model	Air supply pressure range bar	Rated air supply pressure bar	Max. vacuum level -kPa	Max. vacuum flow NL/min	Air consumption NL/min	Working temperature °C
SLW115-M10	1.0~7.0	5.0	11	400~430	150	0~60
SLW146-M10	1.0~7.0	5.0	11	410~440	150	0~60
SLW100-M10	1.0~7.0	5.0	11	330~460	150	0~60
SLW170-M10	1.0~7.0	5.0	11	350~490	150	0~60
SLW120-M15	1.0~7.0	5.0	4.5	370~460	150	0~60
SLW150-M15	1.0~7.0	5.0	4.5	370~460	160	0~60
SLW180-M15	1.0~7.0	5.0	4.5	370~460	180	0~60

SLW Series

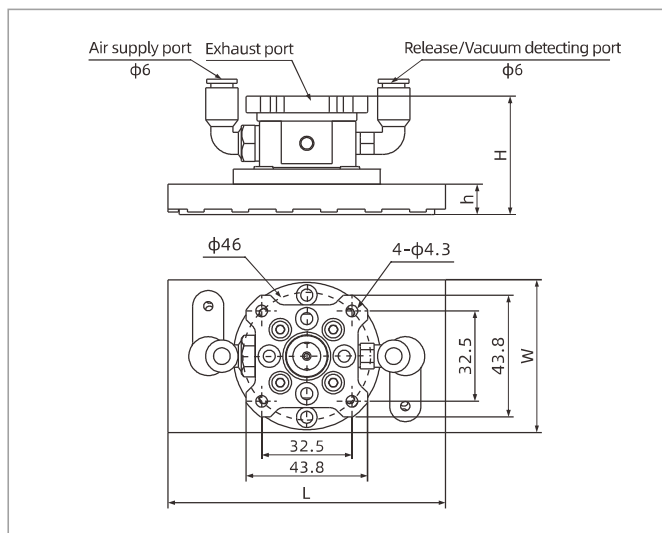
Wafer Gripper



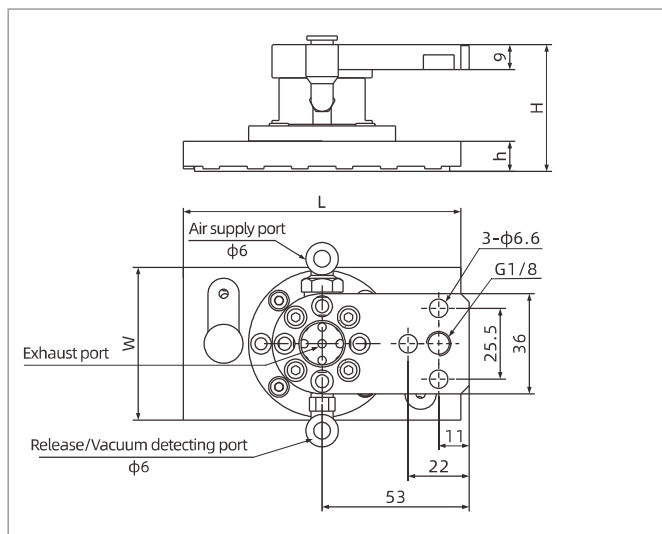
Vacuum flow (NL/min) at different vacuum levels (-kPa)

Model	Air supply pressure bar	Air consumption NL/min	0	1.5	2.5	3.5	4.5	5.5	6.5	7.5	11	Max. vacuum level -kPa
SLW115-M10	5.0	150	400	375	363	334	315	289	265	246	215	11
SLW146-M10	5.0	150	410	386	370	330	324	296	374	258	234	11
SLW100-M10	5.0	150	330	311	285	263	241	219	198	179	160	11
SLW170-M10	5.0	150	350	330	310	280	263	238	219	200	180	11
SLW120-M15	5.0	150	440	429	407	385	363	335	308	275	-	4.5
SLW150-M15	5.0	160	440	429	407	385	363	335	308	275	-	4.5
SLW180-M15	5.0	180	440	429	407	385	363	335	308	275	-	4.5

Dimensions(mm)



SLW□PK-M10I-F1



SLW□PK-M10I-F3

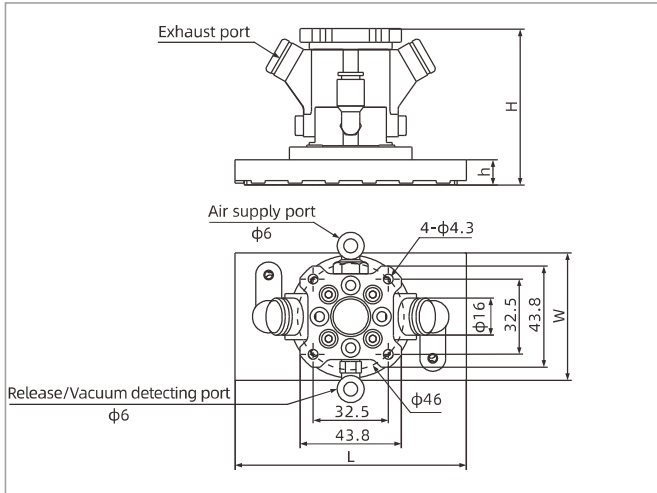
Model/Size	L	W	H	h	Weight g
SLW100PK-M10I-F1	100	55	43	11	220
SLW115PK-M10I-F1	115	115	43	11	350
SLW146PK-M10I-F1	146	146	43	11	458
SLW170PK-M10I-F1	170	105	43	11	354

Model/Size	L	W	H	h	Weight g
SLW100PK-M10I-F3	100	55	46	11	135
SLW115PK-M10I-F3	115	115	46	11	376
SLW146PK-M10I-F3	146	146	46	11	484
SLW170PK-M10I-F3	170	105	46	11	386

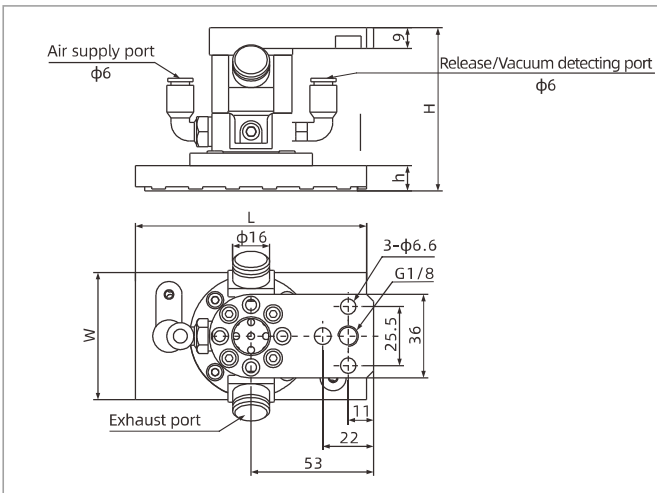
SLW Series Wafer Gripper



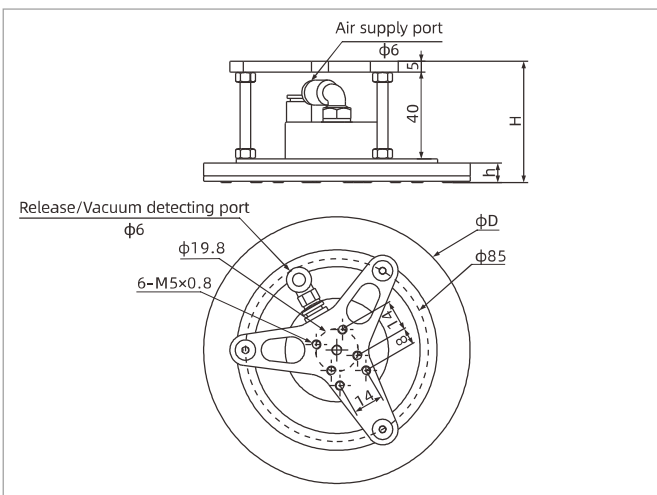
Dimensions(mm)



SLW□PK-M10Y-F1



SLW□PK-M10Y-F3



SLW□AE-M15I-F9

Model/Size	L	W	H	h	Weight g
SLW100PK-M10Y-F1	100	55	68	11	284
SLW115PK-M10Y-F1	115	115	68	11	415
SLW146PK-M10Y-F1	146	146	68	11	523
SLW170PK-M10Y-F1	170	105	68	11	420

Model/Size	L	W	H	h	Weight g
SLW100PK-M10Y-F3	100	55	71	11	310
SLW115PK-M10Y-F3	115	115	71	11	441
SLW146PK-M10Y-F3	146	146	71	11	549
SLW170PK-M10Y-F3	170	105	71	11	445

Model/Size	D	H	h	Weight g
SLW120AE-M15I-F9	124	53.5~57	9.5	343
SLW120FT-M15I-F9	124	56~59	12	375
SLW150AE-M15I-F9	149	53.5~57	9.5	418
SLW150FT-M15I-F9	149	56~59	12	472
SLW180AE-M15I-F9	179	53.5~57	9.5	632
SLW180FT-M15I-F9	179	56~59	12	630

Special Vacuum Grippers

SLG

SNC

SNT

SLP

SLB

SLW

SLF