

# SNC Series

## Needle Gripper



COMPOSITE MATERIAL



FABRIC

### Features

- ◇ Handling the workpieces by needles
- ◇ Needles controlled by spring or double-acting pneumatic cylinder
- ◇ Designed with intersecting needles
- ◇ Adjustable needle stroke
- ◇ Reduce the effective contact area

### Advantages

- ◇ Suitable for handling small size workpieces
- ◇ Simple pneumatic valve, easy to control
- ◇ Short work cycle, speed up the process
- ◇ For handling narrow and long or irregular workpieces
- ◇ The workpiece can be prevented from falling even in the case of power failure
- ◇ Preset separately according to the thickness, size and shape of workpieces
- ◇ Reliable handling of high porous workpieces

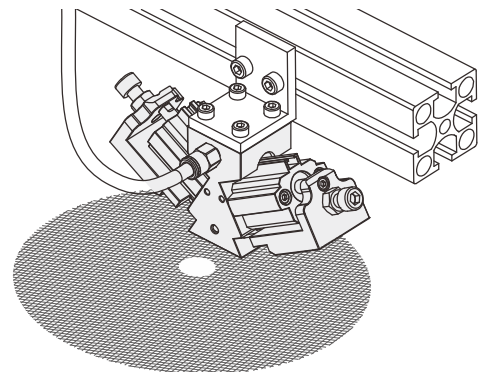


### Application

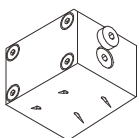
- ◇ Needles with different dimensions, fixed or adjustable needle stroke is optional, to handle non-rigid or high porous material, which is hardly gripped by vacuum, such as composite material, fluffy fabric, filter material, woven FRP, carbon fiber, insulation and foam material, etc.

### Notice

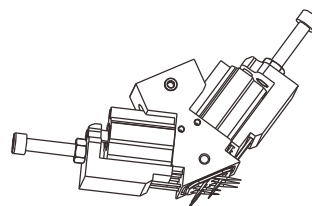
- ◇ Be careful when taking the needle gripper, there are needles at the bottom
- ◇ The exhaust function must be reserved when the solenoid valve controls the air circuit in order to prevent abnormal temperature during high frequency action



### Structure



- ◇ Solid aluminum housing
- ◇ 4pcs needles, insertion angle 30°
- ◇ Needles are controlled by compressed air



- ◇ Solid aluminum housing
- ◇ 10pcs needles, insertion angle 30°
- ◇ Double-acting pneumatic cylinder drive
- ◇ Continuous variable stroke adjustment

# SNC Series

## Needle Gripper

### How to order

## SNC 10

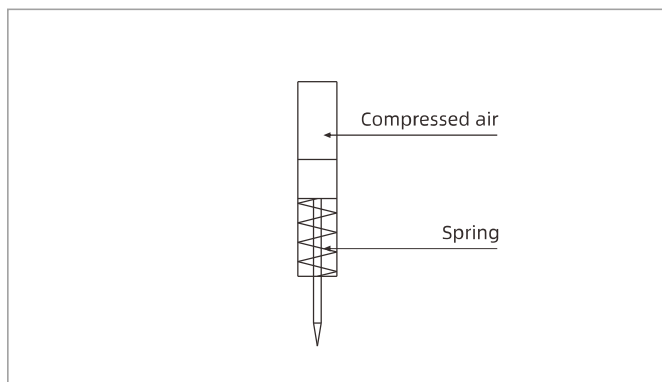
① ②

① Series	② Needle specification
SNC	4 - 4×φ0.8mm 10 - 10×φ1.2mm

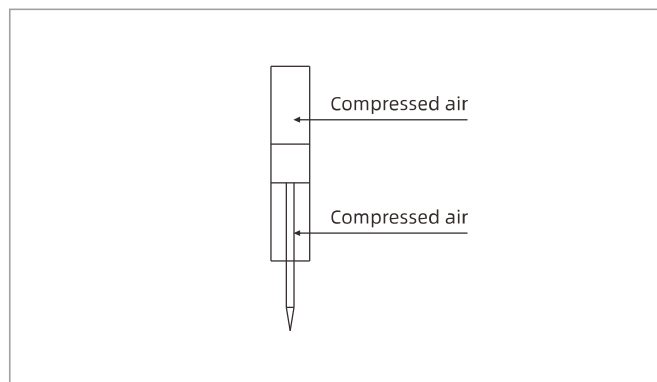
### Technical parameters

Model	QTY of Needle PCS	Needle dia. mm	Air supply pressure range bar	Rated air supply pressure bar	Air consumption NL/min	Stroke mm	Working temperature °C	Weight g
SNC4	4	φ0.8	4.0~6.0	4.0	55	3	5~60	85
SNC10	10	φ1.2	3.0~7.0	4.0	65	7	5~60	310

### Air circuit schematic diagram

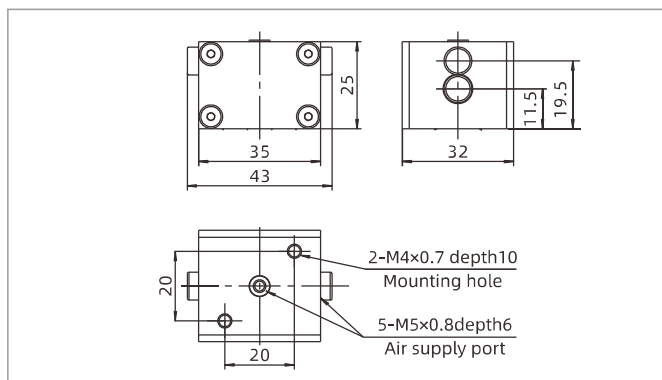


SNC4

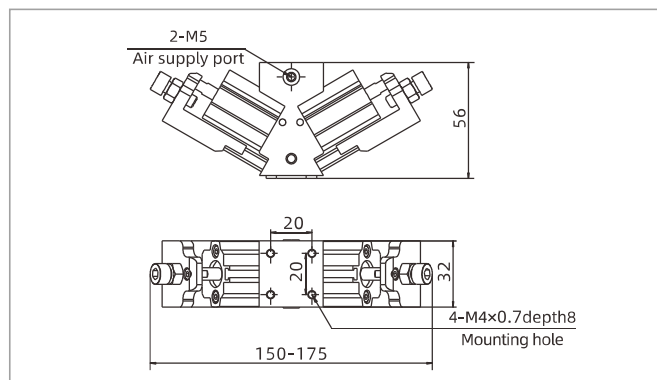


SNC10

### Dimensions(mm)



SNC4



SNC10