

SNT Series

Non-contact Suction Cup



COMPOSITE MATERIAL



POROUS

Features

- ◇ The suction cup "floats" on the air cushion during the gripping
- ◇ Low vacuum level, large vacuum flow
- ◇ Vacuum created based on Bernoulli principle
- ◇ No air go through the workpiece

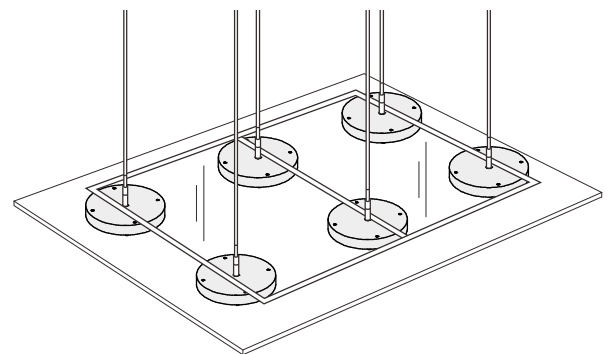
Advantages

- ◇ To achieve non-contact handling of workpiece
- ◇ Good compensation of air leakage
- ◇ Safely separates thin and porous workpiece
- ◇ Connect to compressed air directly, no need extra vacuum generator



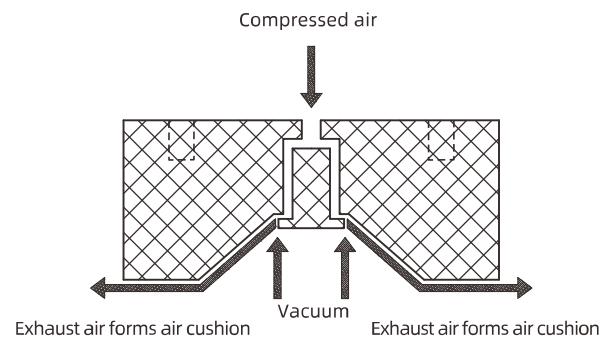
Application

- ◇ Fragile workpieces, such as silicon wafer, solar cell
- ◇ Porous workpieces, such as printed PCB, PVC board, textile
- ◇ Thin and light workpieces, such as plastic film, paper



Structure

- ◇ There are 4 threaded holes on the top
- ◇ Air supply ports on both vertical and horizontal side



SNT Series

Non-contact Suction Cup



How to order

SNT 30 - S N

① ② ③ ④

① Series	② Diameter		③ Flow type	④ Cushion material
SNT	20 - ϕ 20mm	60 - ϕ 60mm	S - Standard flow	N - NBR
	30 - ϕ 30mm	100 - ϕ 100mm		PK - PEEK (Mark free)
	40 - ϕ 40mm	120 - ϕ 120mm		

Selection

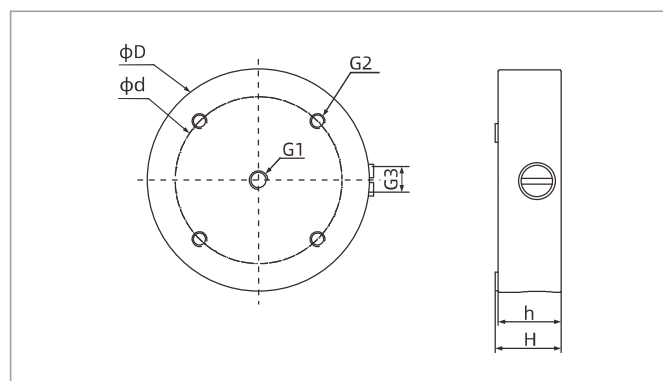
Model/Diameter 20	30	40	60	100	120
-	SNT30-SN	SNT40-SN	SNT60-SN	SNT100-SN	SNT120-SN
SNT20-SPK	SNT30-SPK	SNT40-SPK	SNT60-SPK	SNT100-SPK	SNT120-SPK

Technical parameters

Model	Pull-out force N	Air supply pressure bar	Max. air consumption NL/min	Working temperature °C	Weight g	Recommended hose dia. mm
SNT20	2	5.0	80	0~60	9.5	6
SNT30	4	5.0	100	0~60	32	8
SNT40	6.5	5.0	130	0~60	51	8
SNT60	13	5.0	200	0~60	116	8
SNT100	46	5.0	350	0~60	252	8
SNT120	89	5.0	420	0~60	365	8

◇ Note: The tested workpiece is rigid and airtight, air supply pressure range is 1.0 - 6.0bar, vertical action. The specified pull-out force does not include the safety factor

Dimensions(mm)



SNT

Model/Size	D	d	H	h	G1	G2	G3
SNT20	20	15	12.8	12	M5×0.8	4-M3×0.5depth5	-
SNT30	32	22	17.8	17	M5×0.8	4-M4×0.7depth6	M5×0.8
SNT40	40	32	17.8	17	G1/8	4-M4×0.7depth6	G1/8
SNT60	60	45	17.8	17	G1/8	4-M4×0.7depth6	G1/8
SNT100	100	75	17.8	17	G1/8	4-M4×0.7depth6	G1/8
SNT120	120	105	17.8	17	G1/8	4-M4×0.7depth6	G1/8