

SOB Series

AIRBEST

Oval Suction Cup Special for Metal Sheet



METAL SHEET



LONG AND NARROW OBJECT



SLIPPING RESISTANCE



OILY SURFACE

RoHS

Features

- ◇ 1.5 Bellows oval structure
- ◇ Internal large area pattern support structure
- ◇ Various sizes and specifications are available

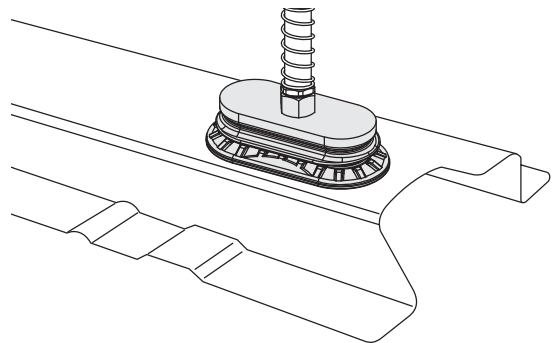
Advantages

- ◇ Handling long and narrow workpieces with even surface or curvature
- ◇ Suitable for workpieces with different sizes and shapes



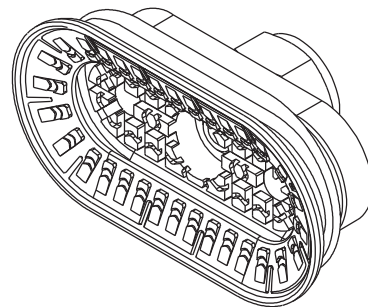
Applications

- ◇ Handling narrow and long metal parts in fast speed, short cycle time
- ◇ Handling metal sheet and aluminum plates without deformation
- ◇ Handling automotive stamping metal parts



Structure

- ◇ 1.5 Bellows structure
- ◇ Suction cup and fitting are one-piece structure



SOB Series

Oval Suction Cup Special for Metal Sheet



- SZ
- SP3
- SUF
- SAN
- SAO
- SOFA
- STP
- SFT
- SFA
- SBT
- SBL
- SBLP
- SBS
- SFP
- SBP
- SXP
- SGP
- SBOF
- STC
- SFF
- SOB**
- SOE
- SOG
- SFM
- SOM
- SBF
- SDM
- SFU
- SFK
- SHT
- SDL
- SFG
- SFGT
- SFD
- SB
- SBA
- SF
- SU
- SPA
- SPD
- SPF
- SPC
- SPJ
- SPU
- SH
- SHB
- SBB
- SOP
- SNP

How to order

SOB 30×60 N - G3F

① ② ③ ④

① Series	② Size	③ Material & Hardness	④ Connection thread
SOB	30×60	N - NBR 60	G2F - G1/4 female thread
	40×80		G3F - G3/8 female thread
	55×110		G2M - G1/4 male thread
	70×140		M10M - M10×1.5 male thread M14M - M14×1.5 male thread RA - Rectangular adapter

Selection

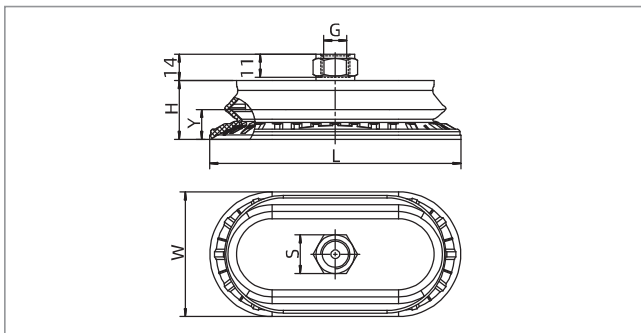
Model	Connection thread					
	G2M	M10M	M14M	G2F	G3F	RA
SOB30×60N-□	SOB30×60N-G2M	SOB30×60N-M10M	SOB30×60N-M14M	SOB30×60N-G2F	SOB30×60N-G3F	SOB30×60N-RA
SOB40×80N-□	SOB40×80N-G2M	SOB40×80N-M10M	SOB40×80N-M14M	SOB40×80N-G2F	SOB40×80N-G3F	SOB40×80N-RA
SOB55×110N-□	SOB55×110N-G2M	SOB55×110N-M10M	SOB55×110N-M14M	SOB55×110N-G2F	SOB55×110N-G3F	SOB55×110N-RA
SOB70×140N-□	SOB70×140N-G2M	SOB70×140N-M10M	SOB70×140N-M14M	SOB70×140N-G2F	SOB70×140N-G3F	SOB70×140N-RA

Technical parameters

Model	Vertical pull-out force N	Lateral pull-out force N	Lateral pull-out force (Oily surface)N	Inner volume cm ³	Min.curve radius of workpiece mm	Weight g	Recommended hose dia. mm	MPQ pcs
SOB30×60	53	60	50	8.7	25	26	6	1
SOB40×80	110	118	101	20	32	33	8	1
SOB55×110	197	200	183	50	50	75	8	1
SOB70×140	275	295	267	100	70	117	8	1

◇ Note: Testing vacuum level -60kPa, workpiece with smooth and clean surface. The data of pull-out force as above are figured out without considering safety factor. The data may be different according to different workpiece surfaces

Dimensions(mm)



Model/Size	L	W	H	G	S	Y
SOB30×60N-G2F	62	31	20	G1/4	17	6
SOB30×60N-G3F	62	31	20	G3/8	22	6
SOB40×80N-G2F	82	41	22.7	G1/4	17	8.8
SOB40×80N-G3F	82	41	22.7	G3/8	22	8.8
SOB55×110N-G2F	112	57	29	G1/4	17	12.5
SOB55×110N-G3F	112	57	29	G3/8	22	12.5
SOB70×140N-G2F	143	70.5	33	G1/4	17	17
SOB70×140N-G3F	143	70.5	33	G3/8	22	17

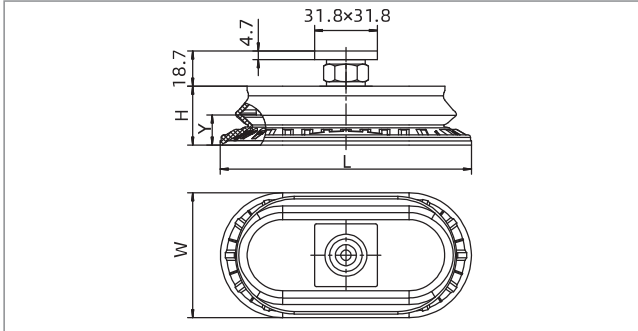
F - Female thread connection

SOB Series

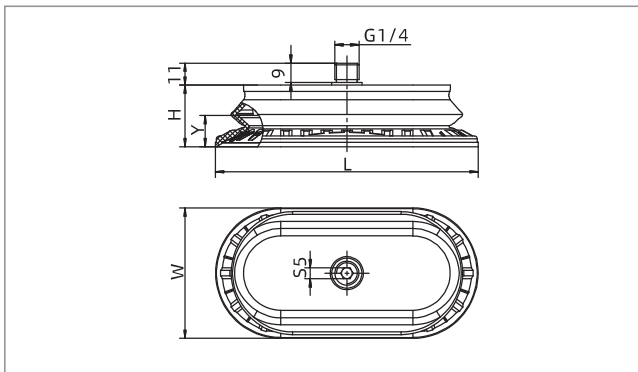
Oval Suction Cup Special for Metal Sheet



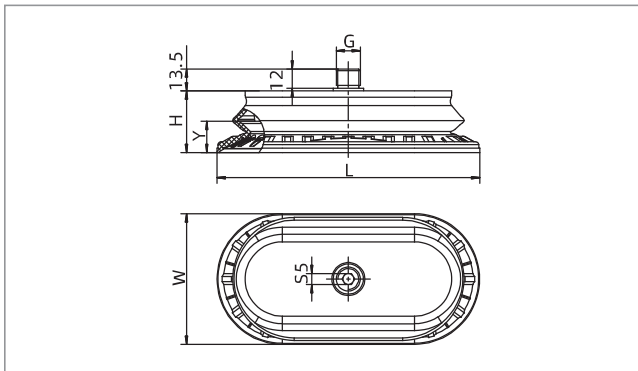
Dimensions(mm)



RA - Rectangular adapter



M - Male thread connection



M - Male thread connection

◇ Note: The dimensional tolerance conforms to GBT3672.1-2002-1 M3 rubber product dimensional tolerance standard

Model/Size	L	W	H	Y
SOB30×60N-RA	62	31	20	6
SOB40×80N-RA	82	41	22.7	8.8
SOB55×110N-RA	112	57	29	12.5
SOB70×140N-RA	143	70.5	33	17

Model/Size	L	W	H	Y
SOB30×60N-G2M	62	31	20	6
SOB40×80N-G2M	82	41	22.7	8.8
SOB55×110N-G2M	112	57	29	12.5
SOB70×140N-G2M	143	70.5	33	17

Model/Size	L	W	H	G	Y
SOB30×60N-M10M	62	31	20	M10×1.5	6
SOB30×60N-M14M	62	31	20	M14×1.5	6
SOB40×80N-M10M	82	41	22.7	M10×1.5	8.8
SOB40×80N-M14M	82	41	22.7	M14×1.5	8.8
SOB55×110N-M10M	112	57	29	M10×1.5	12.5
SOB55×110N-M14M	112	57	29	M14×1.5	12.5
SOB70×140N-M10M	143	70.5	33	M10×1.5	17
SOB70×140N-M14M	143	70.5	33	M14×1.5	17