

SOG Series

Oval Concave Suction Cup Special for Cylindrical Objects



CYLINDRICAL OBJECT



BATTERY



SLIPPING RESISTANCE



Features

- ◇ Concave sealing lip structure
- ◇ Internal groove structure

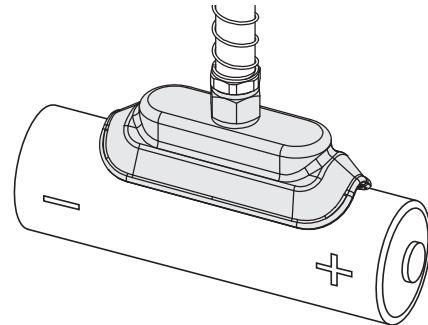
Advantages

- ◇ Suitable for handling cylindrical workpiece
- ◇ Effectively increase the friction force between suction cup and workpiece surface



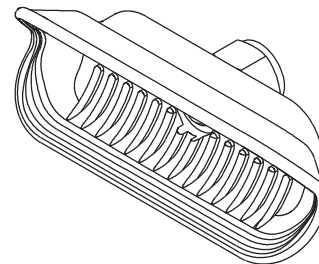
Applications

- ◇ Suitable for cylindrical workpieces, such as steel pipes, plastic round pipes, lithium batteries, etc
- ◇ Handling oily round metal pipes



Structure

- ◇ Concave oval flat structure design



SZ
SP3
SUF
SAN
SAO
SOFA
STP
SFT
SFA
SBT
SBL
SBLP
SBS
SFP
SBP
SXP
SGP
SBOF
STC
SFF
SOB
SOF
SOG
SFM
SOM
SBF
SDM
SFU
SFK
SHT
SDL
SFG
SFGT
SFD
SB
SBA
SF
SU
SPA
SPD
SPF
SPC
SPJ
SPU
SH
SHB
SBB
SOP
SNP

SOG Series



Oval Concave Suction Cup Special for Cylindrical Objects

How to order

SOG 35×100 N - G2F

① ② ③ ④

① Series	② Size	③ Material & Hardness	④ Connection thread
SOG	15×40 35×100	N - NBR 45	M5F - M5×0.8 female thread M5M - M5×0.8 male thread G2F - G1/4 female thread G3F - G3/8 female thread G2M - G1/4 male thread M10M - M10×1.5 male thread M14M - M14×1.5 male thread RA - Rectangular adapter

Selection

Model	Connection thread			
	M5M	G2M	M10M	M14M
SOG15×40N-□	SOG15×40N-M5M	-	-	-
SOG35×100N-□	-	SOG35×100N-G2M	SOG35×100N-M10M	SOG35×100N-M14M

Model	Connection thread			
	M5F	G2F	G3F	RA
SOG15×40N-□	SOG15×40N-M5F	-	-	-
SOG35×100N-□	-	SOG35×100N-G2F	SOG35×100N-G3F	SOG35×100N-RA

Technical parameters

Model	Vertical pull-out force N	Inner volume cm ³	Min. curve radius of workpiece mm	Weight g	Recommended hose dia. mm	MPQ pcs
SOG15×40	22	1.3	8	17	6	5
SOG35×100	122	11	25	23	8	1

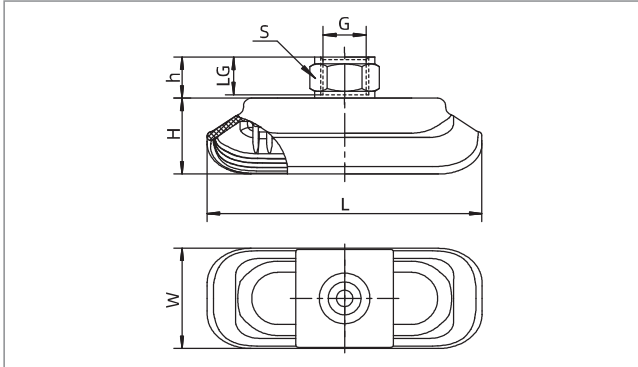
◇ Note: Testing vacuum level -60kPa, workpiece with smooth and clean surface. The data of pull-out force as above are figured out without considering safety factor. The data may be different according to different workpiece surfaces.

SOG Series

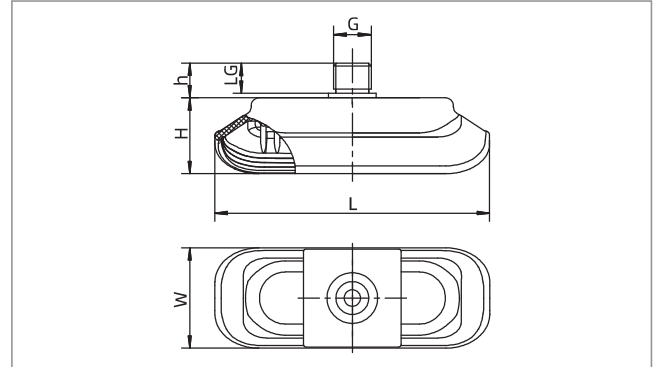


Oval Concave Suction Cup Special for Cylindrical Objects

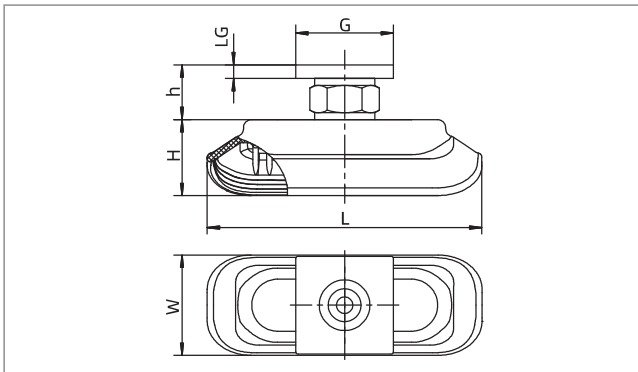
Dimensions(mm)



F - Female thread connection



M - Male thread connection



RA - Rectangular adapter

Model/Size	L	W	H	G	LG	h	S
SOG15×40N-M5F	42	15.5	14	M5×0.8	-	-	-
SOG15×40N-M5M	42	15.5	14	M5×0.8	5	6.5	8
SOG35×100N-G2F	100.5	36.5	28	G1/4	11	14	17
SOG35×100N-G3F	100.5	36.5	28	G3/8	11	14	22
SOG35×100N-G2M	100.5	36.5	28	G1/4	9	11	5
SOG35×100N-M10M	100.5	36.5	28	M10×1.5	12	13.5	5
SOG35×100N-M14M	100.5	36.5	28	M14×1.5	12	13.5	5
SOG35×100N-RA	100.5	36.5	28	31.8×31.8	4.7	18.7	-

◇ Note: The dimensional tolerance conforms to GBT3672.1-2002-1 M3 rubber product dimensional tolerance standard