

SOP Series

Circular Foam Rubber Suction Cup



Features

- ◇ Annular foam rubber
- ◇ Metal support plate
- ◇ NF(black) for Neoprene foam rubber, OF(orange) for Geranium foam rubber
- ◇ Available in various sizes

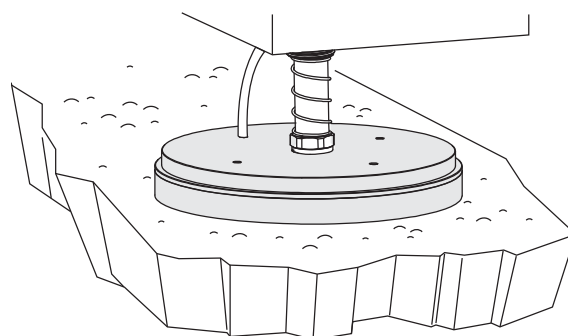
Advantages

- ◇ Long lifetime, good sealing and large suction force
- ◇ Large area support plate, light weight and high load
- ◇ NF and OF material optional for different working conditions
- ◇ Suitable for workpieces of various sizes and shapes



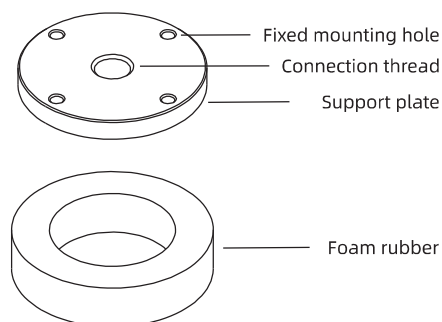
Applications

- ◇ Handling of workpieces with very rough or uneven surface such as buckle plate, embossed plate, marble, tile, cement board and grid metal plate
- ◇ NF for workpieces with rough surface and outdoor use. Good weather and ozone resistance, but poor in yield elasticity and not suitable for food industry.
- ◇ OF for workpieces with very rough surface. Good yield elasticity, wear resistance, tear resistance, high cut resistance and good ductility, but poor in oil resistance, heat resistance and aging resistance, not suitable for food industry.
- ◇ Pay attention to the use of water and oil environment
- ◇ It is recommended to use large flow vacuum generator
- ◇ For the use of the sponge suction cup, please refer to General Precautions on Page 24



Structure

- ◇ Consisting of metal support plate and foam rubber. Foam rubber is with gum, which can stick to the support plate directly. Foam rubber is consumable, which can be ordered separately for replacement



SOP Series

Circular Foam Rubber Suction Cup



How to order

SOP 64 NF - G2F

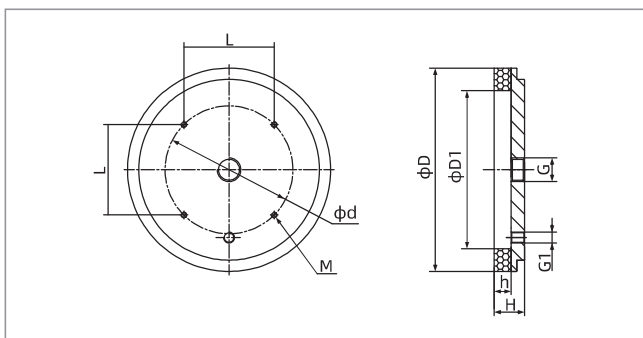
① ② ③ ④

① Series	② Diameter	③ Material	④ Connection thread
SOP	40 - ϕ 40mm	127 - ϕ 127mm	NF - Neoprene foam rubber
	64 - ϕ 64mm	180 - ϕ 180mm	OF - Geranium foam rubber
	92 - ϕ 92mm	220 - ϕ 220mm	
			Nil - Foam rubber only G2F - G1/4 female thread G3F - G3/8 female thread G4F - G1/2 female thread

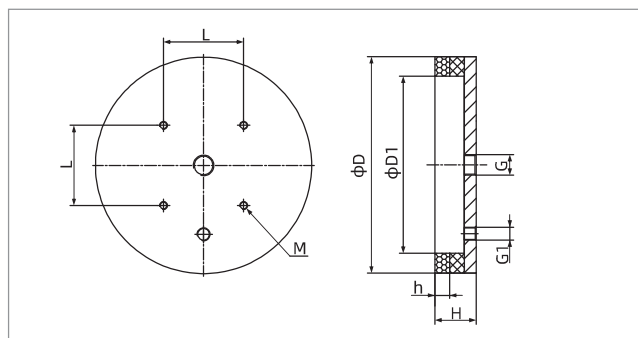
Selection

Model	Connection thread			MPQ pcs
	G2F	G3F	G4F	
SOP40□	SOP40□-G2F	-	-	1
SOP64□	SOP64□-G2F	-	-	1
SOP92□	-	SOP92□-G3F	-	1
SOP127□	-	-	SOP127□-G4F	1
SOP180□	-	-	SOP180□-G4F	1
SOP220□	-	-	SOP220□-G4F	1

Dimensions(mm)



SOP40-180



SOP220

Model/Size	D	D1	H	h	G	G1	d	L	M	Weight g	Pull-out force N
SOP40□-G2F	40	20	25	15	G1/4	-	-	-	-	34.9	7.8
SOP64□-G2F	64	40	25	15	G1/4	-	40	-	-	82.1	35
SOP92□-G3F	92	64	26	15	G3/8	-	70	-	4-M5×0.8depth6	191.1	85
SOP127□-G4F	127	92	30	15	G1/2	G1/8	-	70	4-M5×0.8depth6	482.1	175
SOP180□-G4F	180	127	27	15	G1/2	G1/8	-	80	4-M5×0.8depth6	754.1	385
SOP220□-G4F	220	180	42	15	G1/2	G1/4	-	85	4-M8×1.25depth6	1570.9	635

◇ Note: 1. Testing vacuum level -60kPa, workpiece with smooth and clean surface. The data of pull-out force as above are figured out without considering safety factor. The data may be different according to different workpiece surfaces. Recommend the length of vacuum hose to be as short as possible, max 2m.
2. The dimensional tolerance conforms to GBT 3672.1-2002-1 M3 rubber product dimensional tolerance standard

- SZ
- SP3
- SUF
- SAN
- SAO
- SOFA
- STP
- SFT
- SFA
- SBT
- SBL
- SBLP
- SBS
- SFP
- SBP
- SXP
- SGP
- SBOF
- STC
- SFF
- SOB
- SOF
- SOG
- SFM
- SOM
- SBF
- SDM
- SFU
- SFK
- SHT
- SDL
- SFG
- SFGT
- SFD
- SB
- SBA
- SF
- SU
- SPA
- SPD
- SPF
- SPC
- SPJ
- SPU
- SH
- SHB
- SBB
- SOP
- SNP