

SPC Series

Bellows Suction Cup

AIRBEST



PACKAGING



PLASTIC



ELECTRONICS



Features

- ◇ 2.5 bellows
- ◇ Soft and tapered lips
- ◇ Available in various sizes

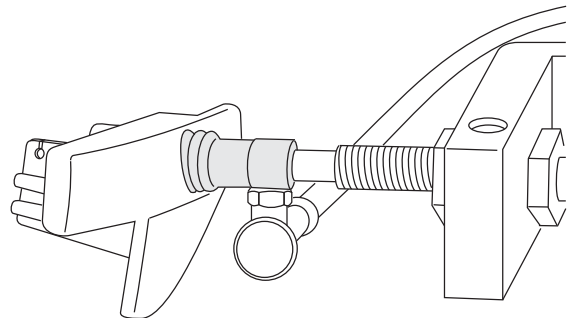
Advantages

- ◇ Large suction force, and have good buffer effect when suck workpiece with uneven surface
- ◇ Good sealing and long compressed stroke, suitable for handling workpieces with uneven surface
- ◇ Suitable for workpieces of various sizes and shapes



Applications

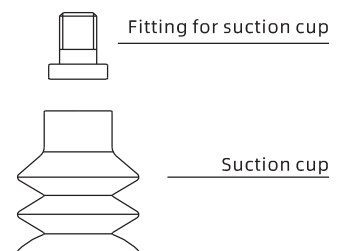
- ◇ Handling of fragile workpieces such as electronic components and injection molding parts
- ◇ Handling of workpieces with uneven surface such as paper and pipes



Structure

- ◇ 2.5 bellows, long compressed stroke
- ◇ Split structure for easy replacement of wearing parts

In the same series, suction cup and fitting can be combined as required



SPC Series

Bellows Suction Cup

Suction Cup

How to order

SPC 15 N - M5M

① ② ③ ④

① Series	② Diameter	③ Material & Hardness	④ Connection thread
SPC	3 - ϕ 3mm 20 - ϕ 20mm	N - NBR 55	Nil - Suction cup only
	5 - ϕ 5mm 25 - ϕ 25mm	WS - White silicone 50	M5M - M5×0.8 male thread
	7 - ϕ 7mm 30 - ϕ 30mm	CN - Conductive NBR 55	M8M - M8×1.25 male thread
	10 - ϕ 10mm 40 - ϕ 40mm	CS - Conductive silicone 55	G1M - G1/8 male thread
	12 - ϕ 12mm 60 - ϕ 60mm		M3M - M3×0.5 male thread
	15 - ϕ 15mm 90 - ϕ 90mm		
	18 - ϕ 18mm		

Selection

Model	Connection thread M - Male thread
SPC3□	SPC3□-M3M
SPC5□	SPC5□-M5M
SPC7□	SPC7□-M5M
SPC10□	SPC10□-M5M
SPC12□	SPC12□-M5M
SPC15□	SPC15□-M5M
SPC18□	SPC18□-M5M

Model	Connection thread M - Male thread
SPC20□	SPC20□-M5M
SPC25□	SPC25□-M5M
SPC30□	SPC30□-M8M
SPC40□	SPC40□-M8M
SPC60□	SPC60□-M8M
SPC90□	SPC90□-G1M

Technical parameters

Model	Pull-out force N	Inner volume cm ³	Min. Curve radius of workpiece mm	Weight g	Recommended hose dia. mm	MPQ pcs
SPC3	0.5	<0.1	4	0.2	4	10
SPC5	0.9	<0.1	7.5	0.2	4	10
SPC7	1.7	<0.1	12	0.3	4	10
SPC10	3.5	0.2	13	0.8	6	10
SPC12	5	0.4	13	1.3	6	10
SPC15	8	0.9	15	1.7	6	10
SPC18	11.5	1.5	20	1.8	6	10
SPC20	14	2	27	2.8	6	5
SPC25	22	5	30	4	6	5
SPC30	32	8.3	35	10.5	6	5
SPC40	56	16.5	60	22.5	8	5
SPC60	127	52	75	52.4	8	1
SPC90	286	135	85	152.8	8	1

◇ Note: Testing vacuum level -60kPa, workpiece with smooth and clean surface. The data of pull-out force as above are figured out without considering safety factor. The data may be different according to different workpiece surfaces. Recommend the length of vacuum hose to be as short as possible, max 2m.

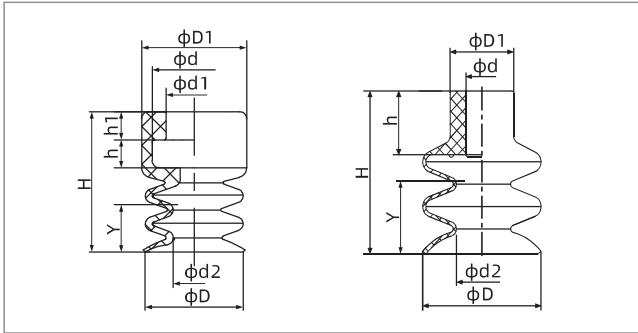
SZ
SP3
SUF
SAN
SAO
SOFA
STP
SFT
SFA
SBT
SBL
SBLP
SBS
SFP
SBP
SXP
SGP
SBOF
STC
SFF
SOB
SOF
SOG
SFM
SOM
SBF
SDM
SFU
SFK
SHT
SDL
SFG
SFGT
SFD
SB
SBA
SF
SU
SPA
SPD
SPF
SPC
SPJ
SPU
SH
SHB
SBB
SOP
SNP

SPC Series

Bellows Suction Cup

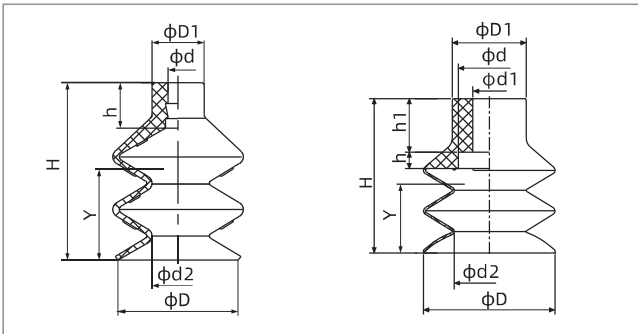


Dimensions(mm) - Suction cup only



SPC3-7

SPC10-20



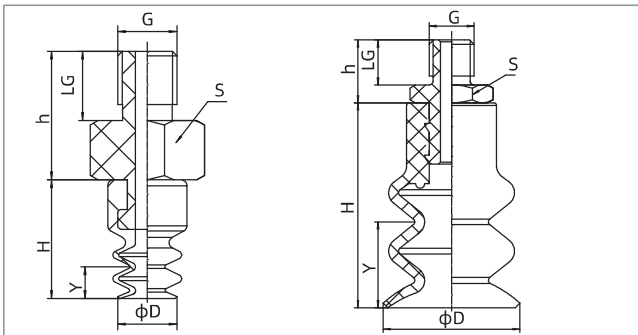
SPC12 SPC25

SPC30-90

Model/Size	D	H	D1	d	h	d1	h1	d2	Y
SPC3□	3	6	4	3	1	2	1.5	1.2	2.5
SPC5□	5	9.5	7.5	6	2	4	2	2	4
SPC7□	7	10	7.5	6	2	4	2	3	5
SPC10□	9	15	9	5	7	-	-	4	6
SPC15□	15.2	22.8	10	5	9	-	-	6	13.8
SPC18□	18.6	23	10	5	9	-	-	8	14
SPC20□	20.6	23	10	5	9	-	-	9.5	14

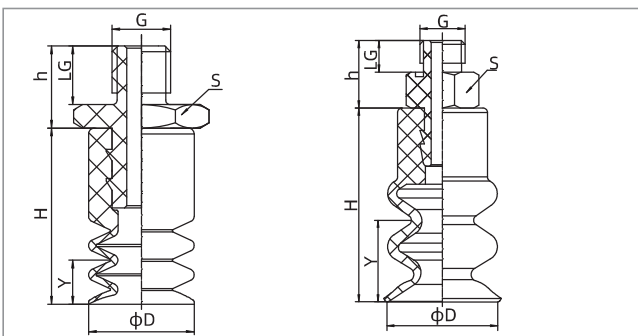
Model/Size	D	H	D1	d	h	d1	h1	d2	Y
SPC12□	13	21.6	10	3.8	8.5	-	-	5	9
SPC25□	24	34	10	3.8	8.5	-	-	10	25.5
SPC30□	32	37.5	18	15	4	8	13	17	20.5
SPC40□	42	46	20	15	4	8	13	16	29
SPC60□	62	55	21.5	15	5	8	13	29	37
SPC90□	88	87.5	25	25	6	12	20	32	61.5

Dimensions(mm) - Suction cup with fitting



SPC3

SPC15-20



SPC10

SPC12-25

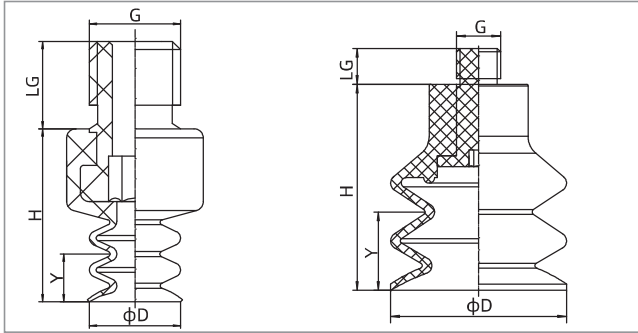
Model/Size	D	H	G	LG	h	s	Y
SPC3□-M3M	3	6	M3×0.5	3.5	6.5	5	2.5
SPC15□-M5M	15.2	22.8	M5×0.8	5	7	8	13.8
SPC18□-M5M	18.6	23	M5×0.8	5	7	8	14
SPC20□-M5M	20.6	23	M5×0.8	5	7	8	14

Model/Size	D	H	G	LG	h	S	Y
SPC10□-M5M	10	15	M5×0.8	5	7	10	6
SPC12□-M5M	13	21.6	M5×0.8	3.5	7.5	7	9
SPC25□-M5M	24	34	M5×0.8	3.5	7.5	7	25.5

SPC Series

Bellows Suction Cup

Dimensions(mm) - Suction cup with fitting



SPC5-7

SPC30-60

◇ Note: The dimensional tolerance conforms to GBT 3672.1-2002-1 M3 rubber product dimensional tolerance standard

Model/Size	D	H	G	LG	Y
SPC5□-M5M	5	9.5	M5×0.8	5	4
SPC7□-M5M	7	10	M5×0.8	5	5
SPC30□-M8M	32	37.5	M8×1.25	6.5	20.5
SPC40□-M8M	42	46	M8×1.25	6.5	29
SPC60□-M8M	62	55	M8×1.25	6.5	37
SPC90□-G1M	88	87.5	G1/8	7	61.5

Mounting parts

Item	Model M - Male thread	Applicable suction cup
Fitting for suction cup	PJS-M3M-ST1	SPC3
	PJS-M5M-ST2	SPC5, 7
	PJS-M5M-SPC10	SPC10
	PJS-M5M-SPC15	SPC15, 18, 20
	PJS-M5M-SC3	SPC12, 25
	PJS-M8M-ST5	SPC30, 40, 60
	PJS-G1M-ST8	SPC90

- SZ
- SP3
- SUF
- SAN
- SAO
- SOFA
- STP
- SFT
- SFA
- SBT
- SBL
- SBLP
- SBS
- SFP
- SBP
- SXP
- SGP
- SBOF
- STC
- SFF
- SOB
- SOF
- SOG
- SFM
- SOM
- SBF
- SDM
- SFU
- SFK
- SHT
- SDL
- SFG
- SFGT
- SFD
- SB
- SBA
- SF
- SU
- SPA
- SPD
- SPF
- SPC**
- SPJ
- SPU
- SH
- SHB
- SBB
- SOP
- SNP

SPC Series

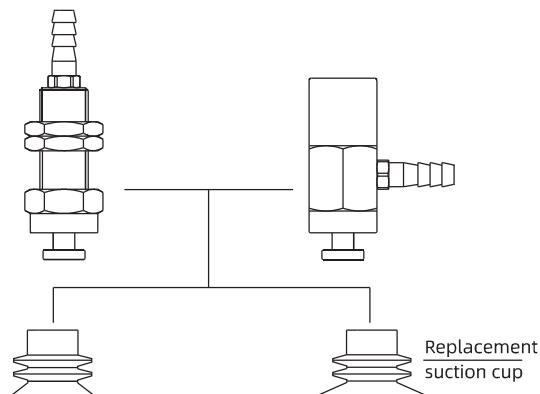
Suction Cup with Locking Fitting



Structure

- ◇ Consisting of replacement suction cup and locking fitting
- ◇ Plug-in fitting for suction cups of diameter 5mm-25mm
- ◇ Fitting with hexagon socket mounting hole for suction cups of diameter 30mm-60mm
- ◇ Vertical vacuum port, pagoda fitting for connection, male thread for mounting
- ◇ Lateral vacuum port, pagoda fitting for connection, female thread for mounting

In the same series, replacement suction cup and locking fitting can be combined as required



How to order

SPC10N - L B6 - M4F
① ② ③ ④

① Model	② Vacuum port direction	③ Vacuum port connection	④ Mounting thread
SPC10N	Nil - Vertical direction L - Lateral direction	B6 - Pagoda fitting ϕ 6 hose	M4F - M4x0.7 female thread M6F - M6x1 female thread M8M - M8x1 male thread M10M - M10x1 male thread

◇ Please refer to page 302 for suction cup selection

Selection

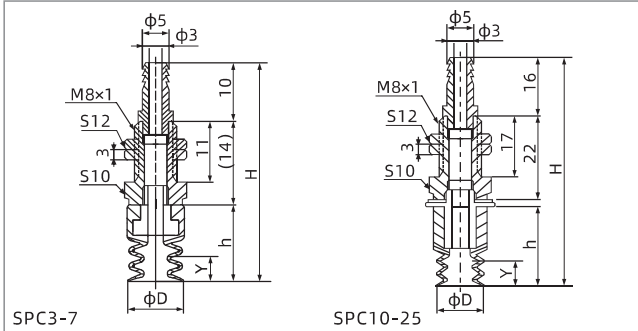
Model	Vacuum port direction Vertical-Pagoda fitting	Lateral-Pagoda fitting
SPC3□	SPC3□-B6-M8M	SPC3□-LB6-M4F
SPC5□	SPC5□-B6-M8M	SPC5□-LB6-M4F
SPC7□	SPC7□-B6-M8M	SPC7□-LB6-M4F
SPC10□	SPC10□-B6-M8M	SPC10□-LB6-M4F
SPC12□	SPC12□-B6-M8M	SPC12□-LB6-M4F
SPC15□	SPC15□-B6-M8M	SPC15□-LB6-M4F
SPC18□	SPC18□-B6-M8M	SPC18□-LB6-M4F
SPC20□	SPC20□-B6-M8M	SPC20□-LB6-M4F
SPC25□	SPC25□-B6-M8M	SPC25□-LB6-M4F
SPC30□	SPC30□-B6-M10M	SPC30□-LB6-M6F
SPC40□	SPC40□-B6-M10M	SPC40□-LB6-M6F
SPC60□	SPC60□-B6-M10M	SPC60□-LB6-M6F

SPC Series

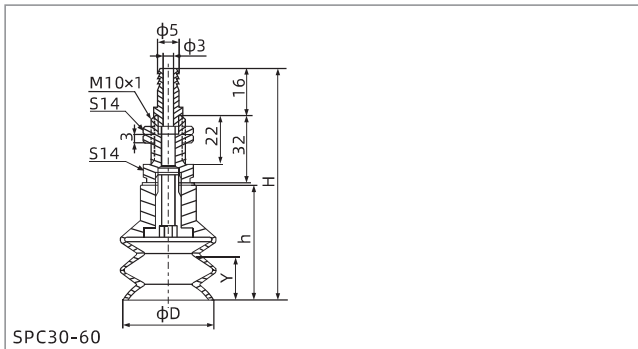
Suction Cup with Locking Fitting



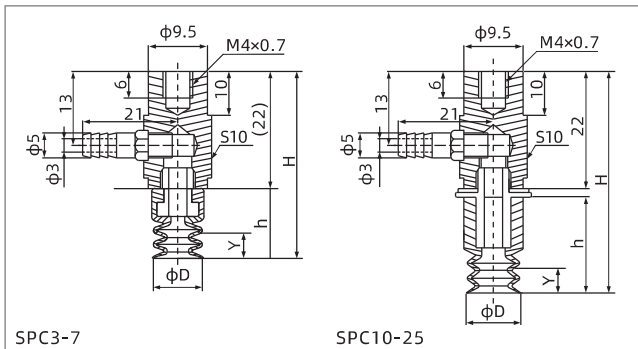
Dimensions(mm)



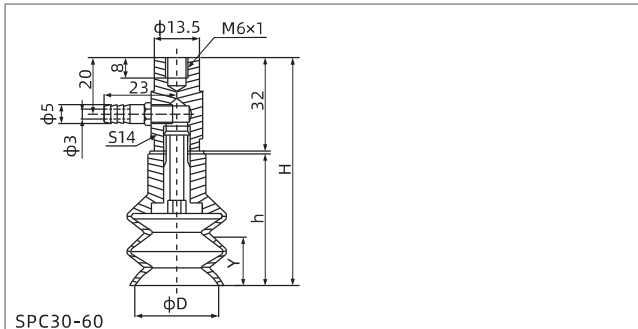
Vertical-Pagoda fitting



Vertical-Pagoda fitting



Lateral-Pagoda fitting



Lateral-Pagoda fitting

Model/Size	D	H	h	Y
SPC3□-B6-M8M	3	30	6	2.5
SPC5□-B6-M8M	5	33.5	9.5	4
SPC7□-B6-M8M	7	34	10	5
SPC10□-B6-M8M	10	55	15	6
SPC12□-B6-M8M	13	63.6	21.6	9
SPC15□-B6-M8M	15.2	62.8	22.8	13.8
SPC18□-B6-M8M	18.6	63	23	14
SPC20□-B6-M8M	20.6	63	23	14
SPC25□-B6-M8M	24	76	34	25.5

Model/Size	D	H	h	Y
SPC30□-B6-M10M	32	85.5	37.5	30.5
SPC40□-B6-M10M	42	94	46	29
SPC60□-B6-M10M	62	103	55	37

Model/Size	D	H	h	Y
SPC3□-LB6-M4F	3	28	6	2.5
SPC5□-LB6-M4F	5	31.5	9.5	4
SPC7□-LB6-M4F	7	32	10	5
SPC10□-LB6-M4F	10	39	15	6
SPC12□-LB6-M4F	13	47.6	21.6	9
SPC15□-LB6-M4F	15.2	46.8	22.8	13.8
SPC18□-LB6-M4F	18.6	47	23	14
SPC20□-LB6-M4F	20.6	47	23	14
SPC25□-LB6-M4F	24	60	34	25.5

Model/Size	D	H	h	Y
SPC30□-LB6-M6F	32	69.5	37.5	20.5
SPC40□-LB6-M6F	42	78	46	29
SPC60□-LB6-M6F	62	87	55	37

◇ Note: The dimensional tolerance conforms to GBT 3672.1-2002-1 M3 rubber product dimensional tolerance standard

- SZ
- SP3
- SUF
- SAN
- SAO
- SOFA
- STP
- SFT
- SFA
- SBT
- SBL
- SBLP
- SBS
- SFP
- SBP
- SXP
- SGP
- SBOF
- STC
- SFF
- SOB
- SOF
- SOG
- SFM
- SOM
- SBF
- SDM
- SFU
- SFK
- SHT
- SDL
- SFG
- SFGT
- SFD
- SB
- SBA
- SF
- SU
- SPA
- SPD
- SPF
- SPC**
- SPJ
- SPU
- SH
- SHB
- SBB
- SOP
- SNP