

SPU Series

Swivel Flat Suction Cup

AIRBEST



WOOD



METAL SHEET



CURVED SURFACE



Suction Cup

Features

- ◇ With support structure at the bottom
- ◇ Small inner volume
- ◇ Available in various sizes

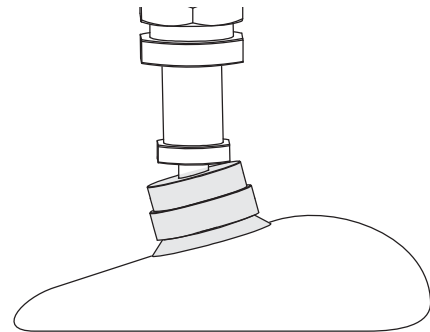
Advantages

- ◇ Be able to prevent thin walled workpieces from permanent deformation
- ◇ Suitable for workpieces of various sizes and shapes



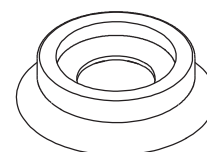
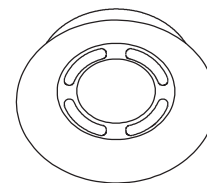
Applications

- ◇ Suitable for handling of workpieces with inclined surface. Its mounting inner cavity is large and it can be connected with swivel joint
- ◇ Suitable for handling sheet metal or wood plate. During handling process, when it is depressed in the middle or dooping at both ends, suction cup with swivel joint can have good contact with workpiece and prevent workpiece from falling off



Structure

- ◇ Split structure design for easy replacement of wearing parts



SZ
SP3
SUF
SAN
SAO
SOFA
STP
SFT
SFA
SBT
SBL
SBLP
SBS
SFP
SBP
SXP
SGP
SBOF
STC
SFF
SOB
SOF
SOG
SFM
SOM
SBF
SDM
SFU
SFK
SHT
SDL
SFG
SFGT
SFD
SB
SBA
SF
SU
SPA
SPD
SPF
SPC
SPJ
SPU
SH
SHB
SBB
SOP
SNP

SPU Series

Swivel Flat Suction Cup



How to order

SPU 30 N

① ② ③

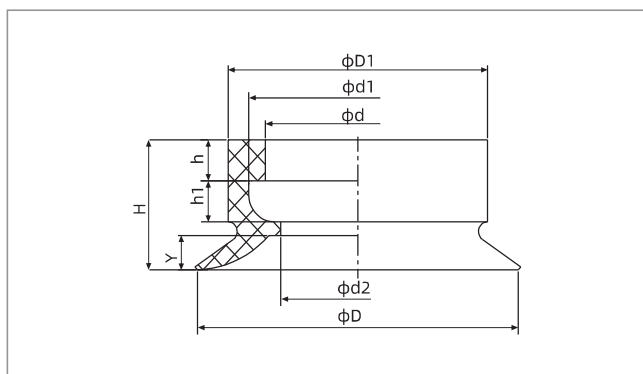
① Series	② Diameter	③ Material & Hardness
SPU	10 - ϕ 10mm	40 - ϕ 40mm
	15 - ϕ 15mm	50 - ϕ 50mm
	20 - ϕ 20mm	60 - ϕ 60mm
	25 - ϕ 25mm	80 - ϕ 80mm
	30 - ϕ 30mm	100 - ϕ 100mm
	35 - ϕ 35mm	
		N - NBR 55
		WS - White silicone 50

Technical parameters

Model	Pull-out force N	Inner volume cm ³	Weight g	Recommended hose dia. mm	MPQ pcs
SPU10	3.5	< 0.1	0.2	4	10
SPU15	8	0.2	0.3	6	10
SPU20	15	0.5	1.3	6	5
SPU25	24	1.1	1.5	6	5
SPU30	32	1	1.9	6	5
SPU35	43	2.4	2.5	6	5
SPU40	60	3.4	3.8	6	1
SPU50	92	5.7	5.1	8	1
SPU60	127	11	12.4	8	1
SPU80	226	25.3	24.2	8	1
SPU100	355	38	40.2	10	1

◇ Note: Testing vacuum level -60kPa, workpiece with smooth and clean surface. The data of pull-out force as above are figured out without considering safety factor. The data may be different according to different workpiece surfaces. Recommend the length of vacuum hose to be as short as possible, max 2m.

Dimensions(mm)



Model/Size	D	H	D1	d	h	d1	h1	d2	γ
SPU10□	10	3.5	10.5	6.5	1.5	8	0.5	4	1
SPU15□	15	4.5	10.5	6.5	1.5	8	0.5	4	1.4
SPU20□	20	9	20.2	14.4	3	17	3	12	2
SPU25□	25	9.5	20.2	14.4	3	17	3	12	2.5

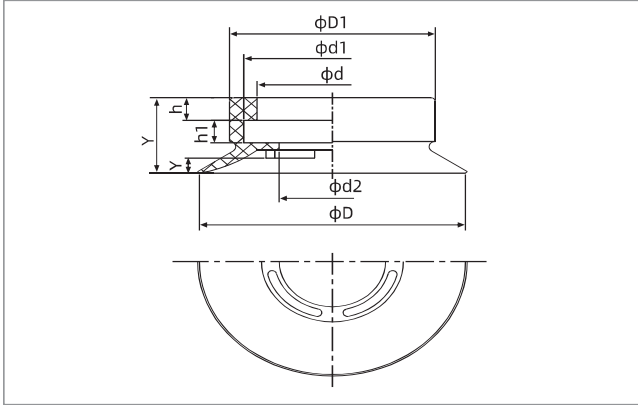
SPU10-25

SPU Series

Swivel Flat Suction Cup



Dimensions(mm)



Model/Size	D	H	D1	d	h	d1	h1	d2	Y
SPU30□	30	10	23.2	17	3	20	3	12	2
SPU35□	35	11	23.2	17	3	20	3	12	3
SPU40□	40	10.5	32.2	24.5	3.5	28	2	16	3
SPU50□	50	11.5	32.2	24.5	3.5	28	2	16	4
SPU60□	60	16.2	46.2	38.5	5.2	42	3	10	5
SPU80□	80	18.2	60.2	49	5.2	54	3	10	6
SPU100□	100	18.2	78.2	66	5.2	72	3	10	6

SPU30-100

◇ Note: The dimensional tolerance conforms to GBT 3672.1-2002-1 M3 rubber product dimensional tolerance standard

- SZ
- SP3
- SUF
- SAN
- SAO
- SOFA
- STP
- SFT
- SFA
- SBT
- SBL
- SBLP
- SBS
- SFP
- SBP
- SXP
- SGP
- SBOF
- STC
- SFF
- SOB
- SOF
- SOG
- SFM
- SOM
- SBF
- SDM
- SFU
- SFK
- SHT
- SDL
- SFG
- SFGT
- SFD
- SB
- SBA
- SF
- SU
- SPA
- SPD
- SPF
- SPC
- SPJ
- SPU**
- SH
- SHB
- SBB
- SOP
- SNP