

# SU Series

## Universal Flat Suction Cup



### Features

- ◇ Standard flat lip
- ◇ Small inner volume
- ◇ Various sizes are available

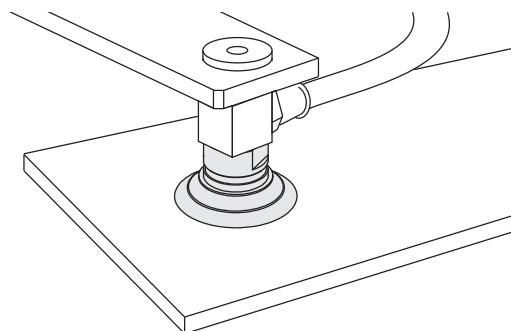
### Advantages

- ◇ Suitable for handling most of workpieces with smooth and flat surface or slightly curved surface
- ◇ Short work cycle
- ◇ Suitable for workpieces with different sizes and shapes



### Applications

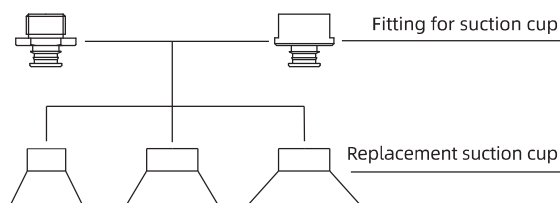
- ◇ Suitable for handling workpiece with smooth and flat surface or slightly curved surface, such as glass, wood plate, metal sheet, plastic plate, etc
- ◇ Suitable for handling automotive body parts



### Structure

- ◇ Suction cup with diameter  $\phi 6$ - $\phi 50$ mm and fitting are split structure design, wearing parts can be replaced separately
- ◇ For SU80, suction cup and fitting are one-piece structure

In same series, replacement suction cup and fitting can be combined on request



- SZ
- SP3
- SUF
- SAN
- SAO
- SOFA
- STP
- SFT
- SFA
- SBT
- SBL
- SBLP
- SBS
- SFP
- SBP
- SXP
- SGP
- SBOF
- STC
- SFF
- SOB
- SOE
- SOG
- SFM
- SOM
- SBF
- SDM
- SFU
- SFK
- SHT
- SDL
- SFG
- SFGT
- SFD
- SB
- SBA
- SF**
- SU**
- SPA
- SPD
- SPF
- SPC
- SPJ
- SPU
- SH
- SHB
- SBB
- SOP
- SNP

# SU Series

## Universal Flat Suction Cup



### How to order

## SU 20 N - G1F - EW

① ② ③ ④ ⑤

① Series	② Diameter	③ Material & Hardness	④ Connection thread	⑤ Special specification
SU	6 - φ6mm	25 - φ25mm	N - NBR	55 Nil - Suctoin cup only M5M - M5×0.8 male thread Nil - Standard
	8 - φ8mm	30 - φ30mm	S - Silicone	50 G1F - G1/8 female thread G1M - G1/8 male thread EW - With mesh filter
	10 - φ10mm	40 - φ40mm	WS - White silicone	50 G2F - G1/4 female thread G2M - G1/4 male thread EH - With throttle valve
	15 - φ15mm	50 - φ50mm	CS - Conductive silicone	55 G3F - G3/8 female thread G3M - G3/8 male thread
	20 - φ20mm	80 - φ80mm		

### Selection

Model	Connection thread	
	M - Male thread	F - Female thread
SU6□	SU6□-M5M	-
SU8□	SU8□-M5M	-
SU10□	SU10□-M5M	-
SU15□	SU15□-M5M	-
SU20□	SU20□-G1M(-EW/EH)	SU20□-G1F(-EW/EH)
SU25□	SU25□-G1M(-EW/EH)	SU25□-G1F(-EW/EH)
SU30□	SU30□-G1M(-EW/EH)	SU30□-G1F(-EW/EH)
SU40□	SU40□-G1M(-EW/EH)	SU40□-G1F(-EW/EH)
SU50□	SU50□-G2M(-EW/EH) SU50□-G3M(-EW/EH)	SU50□-G2F(-EW/EH) SU50□-G3F(-EW/EH)
SU80□	-	SU80□-G1F

### Technical parameters

Model	Pull-out force N	Inner volume cm <sup>3</sup>	Min.curve radius of workpiece mm	Weight g	Recommended hose dia. mm	MPQ pcs
SU6	2.1	<0.1	7.5	0.1	4	10
SU8	3.2	<0.1	10	0.2	4	10
SU10	4.7	<0.1	12	0.6	6	10
SU15	7.4	0.5	20	0.6	6	10
SU20	9.5	0.8	30	1.2	6	5
SU25	18	1.2	45	1.5	6	5
SU30	33	1.5	45	2.4	6	5
SU40	60	3	65	5.2	6	5
SU50	92	7	80	10.6	6	1
SU80	210	24	120	31	8	1

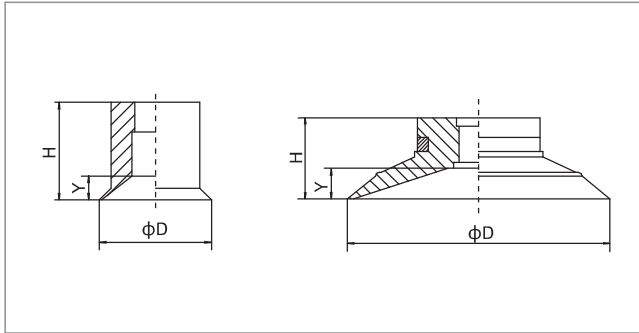
◇ Note: Testing vacuum level -60kPa, workpiece with smooth and clean surface. The data of pull-out force as above are figured out without considering safety factor. The data may be different according to different workpiece surfaces. Recommend the length of vacuum hose to be as short as possible, max 2m.

# SU Series

## Universal Flat Suction Cup



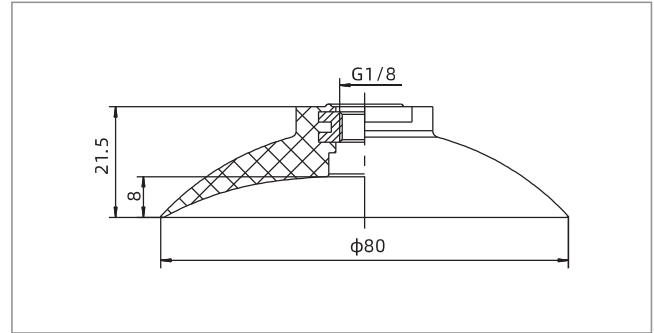
### Dimensions(mm) - Suction cup only



SU6-15

SU20-50

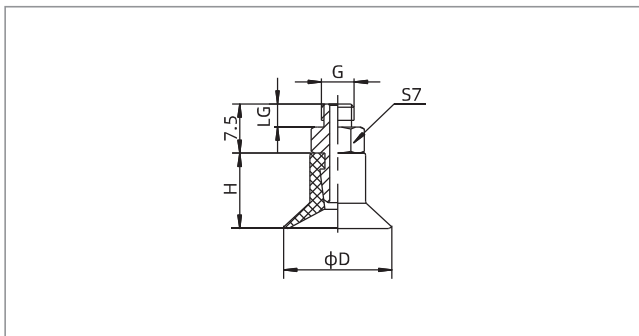
Model/Size	D	H	Y (Stroke)
SU6□	7	6.5	1.5
SU8□	9	7	2
SU10□	11	10.5	2
SF15□	16.5	11	3



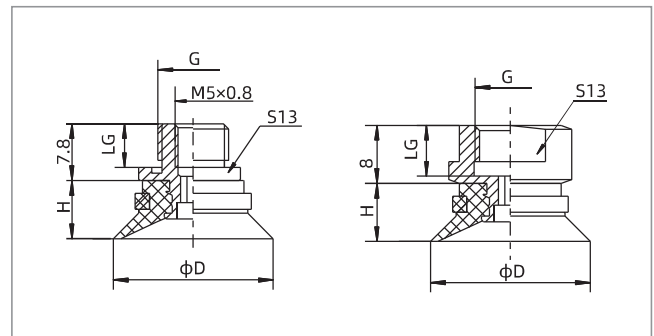
SU80

Model/Size	D	H	Y (Stroke)
SU20□	22	8	2.2
SU25□	27	9	2.9
SU30□	32	9.5	4.5
SU40□	42	13	5.2
SU50□	53	17.5	7

### Dimensions(mm) - Suction cup with fitting



SU6-15 Male thread connection



SU20-30 Male thread connection

SU20-30 Female thread connection

Model/Size	D	H	G	LG	h	S
SU6□-M5M	7	6.5	M5×0.8	3.5	7.5	7
SU8□-M5M	9	7	M5×0.8	3.5	7.5	7
SU10□-M5M	11	10.5	M5×0.8	3.5	7.5	7
SU15□-M5M	16.5	11	M5×0.8	3.5	7.5	7
SU20□-G1M	22	8	G1/8	6	7.8	13
SU20□-G1F	22	8	G1/8	7	8	13
SU25□-G1M	27	9	G1/8	6	7.8	13
SU25□-G1F	27	9	G1/8	7	8	13
SU30□-G1M	32	9.5	G1/8	6	7.8	13
SU30□-G1F	32	9.5	G1/8	7	8	13

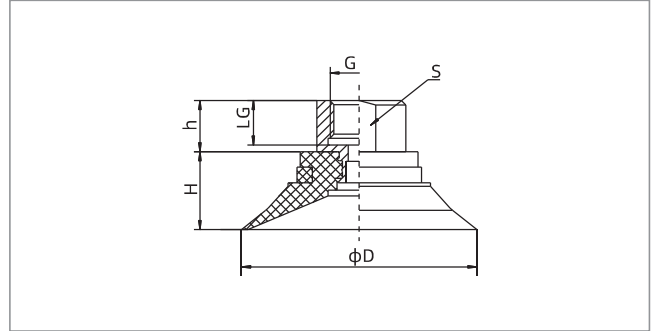
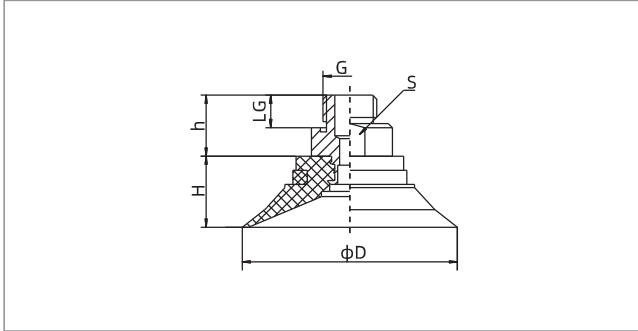
- SZ
- SP3
- SUF
- SAN
- SAO
- SOFA
- STP
- SFT
- SFA
- SBT
- SBL
- SBLP
- SBS
- SFP
- SBP
- SXP
- SGP
- SBOF
- STC
- SFF
- SOB
- SOF
- SOG
- SFM
- SOM
- SBF
- SDM
- SFU
- SFK
- SHT
- SDL
- SFG
- SFGT
- SFD
- SB
- SBA
- SF
- SU**
- SPA
- SPD
- SPF
- SPC
- SPJ
- SPU
- SH
- SHB
- SBB
- SOP
- SNP

# SU Series

## Universal Flat Suction Cup



### Dimensions(mm) - Suction cup with fitting



SU40-50 Male thread connection

SU40-50 Female thread connection

Model/Size	D	H	G	LG	h	S
SU40□-G1M	42	13	G1/8	6	12	17
SU40□-G1F	42	13	G1/8	7	10	17
SU50□-G2M	53	17.5	G1/4	9	17	24
SU50□-G2F	53	17.5	G1/4	10	13	24
SU50□-G3M	53	17.5	G3/8	10	18	24
SU50□-G3F	53	17.5	G3/8	11	13	24

◇ Note: The dimensional tolerance conforms to GBT3672.1-2002-1 M3 rubber product dimensional tolerance standard

### Mounting parts

Item	Model M - Male thread	F - Female thread	Applicable suction cup
Fitting for suction cup	PJS-M5M-SC2	-	SU6,8
	PJS-M5M-SC3	-	SU10,15
	PJS-G1M-SF1	PJS-G1F-SF1	SU20,25,30
	PJS-G1M-SF2	PJS-G1F-SF2	SU40
	PJS-G2M-SF3	PJS-G2F-SF3	SU50
	PJS-G3M-SF3	PJS-G3F-SF3	SU50