

# TXC Series



## Vacuum Gripper -Vacuum Generator Standard Type



UNIVERSAL

### Features

- ◇ The housing is made of high quality aluminum alloy
- ◇ With built-in large flow vacuum generator
- ◇ Suction cup type and sponge type are optional for adsorption surface
- ◇ Built-in non-return valve can be selected

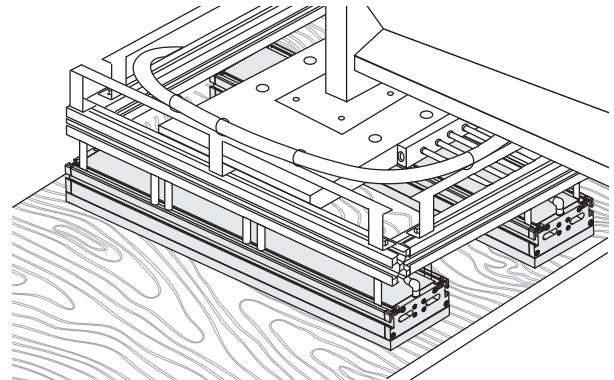
### Advantages

- ◇ High strength and light weight
- ◇ Fast reaction time
- ◇ Suitable for the handling of various industries
- ◇ It can meet the handling of different dimension workpieces



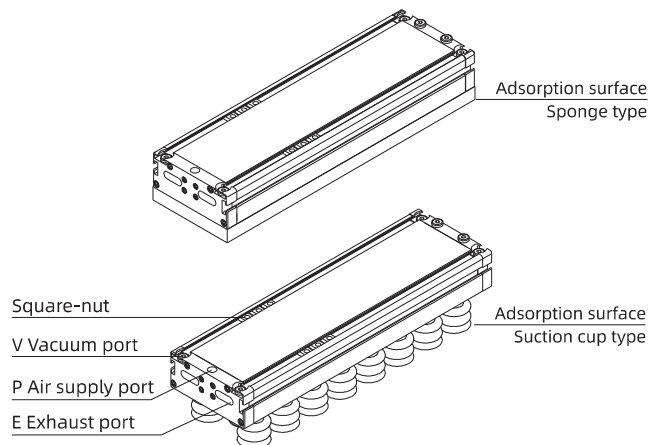
### Applications

- ◇ Mainly used in the packaging industry, such as intelligent warehousing, intelligent logistics, stacking and unstacking, unmanned sorting, etc.
- ◇ With built-in non-return valve, it can be used to adsorb the workpieces with certain leakage, different sizes and different shapes
- ◇ Because of its light weight, it is very suitable for robots



### Structure

- ◇ The main body is made of aluminum alloy, with T-shaped slots on the front and side respectively, which can be used for installation or mounting of the inductive switch
- ◇ It is equipped with Square-nut (M8 × 18 × 14 × 5.5)
- ◇ TXC130 × 400-800 has one air supply port (G1 / 4F) and six vacuum ports (6-G1 / 8F), direct exhaust from the side of the air supply end cover
- ◇ TXC130 × 1000-1200 has one air supply port (G1 / 4F) and four vacuum ports (4-G1 / 8F) at both end covers, direct exhaust from the side of the air supply end covers
- ◇ With built-in large flow vacuum generator, non-return valve is optional
- ◇ For sponge type, A1, A3, A5 sponge can be selected
- ◇ For suction cup type, B30, B40 can be selected



### How to order

## TXC 130×400 - A3 - V

①                      ②                      ③                      ④

① Series	② Dimension	③ Adsorption surface type	④ Non-return valve
TXC	130×400	A1 - Single row sponge holes	Nil - Default, Without non-return valve (Throttling hole structure)
	130×600	A3 - Three rows sponge holes	
	130×800	A5 - Five rows sponge holes	V - With non-return valve (Ball valve structure)
	130×1000	B30 - Suction cup type(suction cup dia.30mm)	
	130×1200	B40 - Suction cup type(suction cup dia.40mm)	
	130×1400		

### Selection-Standard type

Model/ Adsorption surface type	A1 - Single row sponge holes	A3 - Three rows sponge holes	A5 - Five rows sponge holes	B30 - Suction cup type	B40 - Suction cup type
TXC130×400-□	TXC130×400-A1	TXC130×400-A3	TXC130×400-A5	TXC130×400-B30	TXC130×400-B40
TXC130×600-□	TXC130×600-A1	TXC130×600-A3	TXC130×600-A5	TXC130×600-B30	TXC130×600-B40
TXC130×800-□	TXC130×800-A1	TXC130×800-A3	TXC130×800-A5	TXC130×800-B30	TXC130×800-B40
TXC130×1000-□	TXC130×1000-A1	TXC130×1000-A3	TXC130×1000-A5	TXC130×1000-B30	TXC130×1000-B40
TXC130×1200-□	TXC130×1200-A1	TXC130×1200-A3	TXC130×1200-A5	TXC130×1200-B30	TXC130×1200-B40
TXC130×1400-□	TXC130×1400-A1	TXC130×1400-A3	TXC130×1400-A5	TXC130×1400-B30	TXC130×1400-B40

### Selection-With non-return valve

Model/ Adsorption surface type	A1 - Single row sponge holes	A3 - Three rows sponge holes	A5 - Five rows sponge holes	B30 - Suction cup type	B40 - Suction cup type
TXC130×400-□-V	TXC130×400-A1-V	TXC130×400-A3-V	TXC130×400-A5-V	TXC130×400-B30-V	TXC130×400-B40-V
TXC130×600-□-V	TXC130×600-A1-V	TXC130×600-A3-V	TXC130×600-A5-V	TXC130×600-B30-V	TXC130×600-B40-V
TXC130×800-□-V	TXC130×800-A1-V	TXC130×800-A3-V	TXC130×800-A5-V	TXC130×800-B30-V	TXC130×800-B40-V
TXC130×1000-□-V	TXC130×1000-A1-V	TXC130×1000-A3-V	TXC130×1000-A5-V	TXC130×1000-B30-V	TXC130×1000-B40-V
TXC130×1200-□-V	TXC130×1200-A1-V	TXC130×1200-A3-V	TXC130×1200-A5-V	TXC130×1200-B30-V	TXC130×1200-B40-V
TXC130×1400-□-V	TXC130×1400-A1-V	TXC130×1400-A3-V	TXC130×1400-A5-V	TXC130×1400-B30-V	TXC130×1400-B40-V

### Technical parameters

Model	Rated air supply pressure bar	Max.vacuum flow NL/min	Air consumption NL/min	Max.theoretical suction force N (-60kPa)	Weight kg V-with non- return valve	Recommended hose dia. mm	QTY of suction hole PCS
TXC130×400-A1	6.0	710	230	559	2.6	1×φ10	15
TXC130×600-A1	6.0	1,050	345	820	3.4	1×φ10	22
TXC130×800-A1	6.0	1,410	460	1,180	4.2	1×φ10	30
TXC130×1000-A1	6.0	1,760	575	1,379	5.4	2×φ10	37
TXC130×1200-A1	6.0	2,100	690	1,640	6.2	2×φ10	44
TXC130×1400-A1	6.0	2,460	805	1,901	7.4	2×φ10	52

# TXC Series



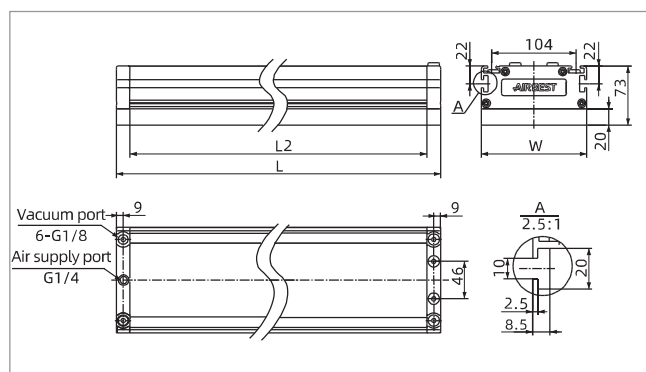
## Vacuum Gripper -Vacuum Generator Standard Type

### Technical parameters

Model	Rated air supply pressure bar	Max.vacuum flow NL/min	Air consumption NL/min	Max.theoretical suction force N (-60kPa)	Weight KG V-with non-return valve	Recommended hose dia. mm	QTY of suction hole PCS
TXC130×400-A3	6.0	710	230	344	2.6	1×φ10	65
TXC130×600-A3	6.0	1,050	345	519	3.4	1×φ10	98
TXC130×800-A3	6.0	1,410	460	694	4.2	1×φ10	131
TXC130×1000-A3	6.0	1,760	575	869	5.4	2×φ10	164
TXC130×1200-A3	6.0	2,100	690	1,044	6.2	2×φ10	197
TXC130×1400-A3	6.0	2,460	805	1,219	7.4	2×φ10	230
TXC130×400-A5	6.0	710	230	340	2.6	1×φ10	108
TXC130×600-A5	6.0	1,050	345	510	3.4	1×φ10	165
TXC130×800-A5	6.0	1,410	460	670	4.2	1×φ10	220
TXC130×1000-A5	6.0	1,760	575	870	5.4	2×φ10	275
TXC130×1200-A5	6.0	2,460	805	1,010	6.2	2×φ10	330
TXC130×1400-A5	6.0	2,810	920	1,180	7.4	2×φ10	385
TXC130×400-B30	6.0	710	230	588	3.3	1×φ10	28
TXC130×600-B30	6.0	1,050	345	903	4.3	1×φ10	43
TXC130×800-B30	6.0	1,410	460	1,155	5.4	1×φ10	55
TXC130×1000-B30	6.0	1,760	575	1,470	7.0	2×φ10	70
TXC130×1200-B30	6.0	2,100	690	1,785	8.1	2×φ10	85
TXC130×1400-B30	6.0	2,460	805	2,058	9.6	2×φ10	98
TXC130×400-B40	6.0	710	230	867	3.6	1×φ10	23
TXC130×600-B40	6.0	1,050	345	1,319	4.9	1×φ10	35
TXC130×800-B40	6.0	1,410	460	1,771	6.2	1×φ10	47
TXC130×1000-B40	6.0	1,760	575	2,224	7.9	2×φ10	59
TXC130×1200-B40	6.0	2,100	690	2,676	9.3	2×φ10	71
TXC130×1400-B40	6.0	2,460	805	3,129	10.9	2×φ10	83

◇ Note: The suction force in the above table is the theoretical suction force obtained under the condition that the vacuum gripper is fully covered by a rigid airtight workpiece, and without considering safety factor.

### Dimensions(mm)



TXC130×400/600/800-A Sponge type

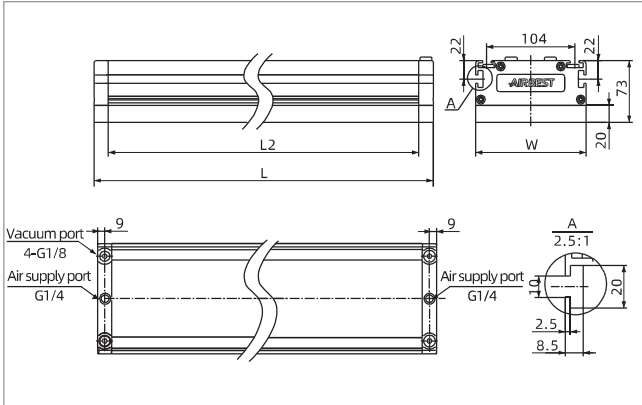
Model/Size	L	L2	W
TXC130×400-A	434	400	130
TXC130×600-A	634	600	130
TXC130×800-A	834	800	130

# TXC Series

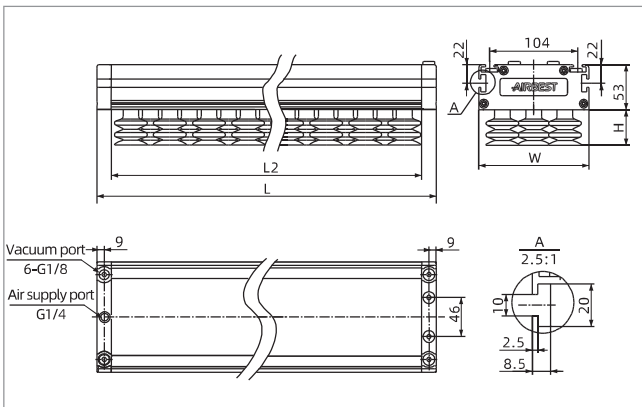


## Vacuum Gripper -Vacuum Generator Standard Type

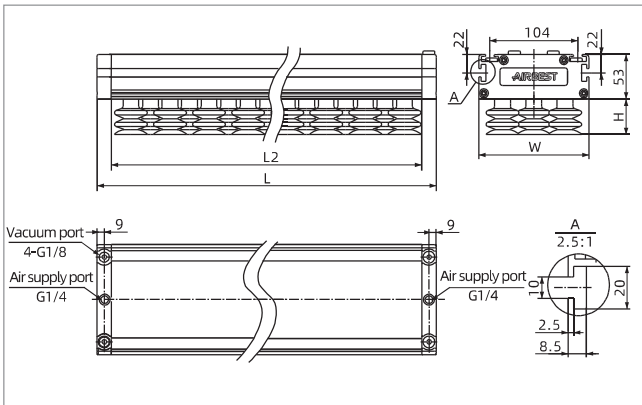
### Dimensions(mm)



TXC130x1000/1200/1400-A Sponge type



TXC130x400/600/800-B Suction cup type



TXC130x1000/1200/1400-B Suction cup type

Model/Size	L	L2	W
TXC130x1000-A	1,034	1,000	130
TXC130x1200-A	1,234	1,200	130
TXC130x1400-A	1,434	1,400	130

Model/Size	L	L2	W	B30	H B40
TXC130x400-B	434	400	130	37	45
TXC130x600-B	634	600	130	37	45
TXC130x800-B	834	800	130	37	45

Model/Size	L	L2	W	B30	H B40
TXC130x1000-B	1,034	1,000	130	37	45
TXC130x1200-B	1,234	1,200	130	37	45
TXC130x1400-B	1,434	1,400	130	37	45

Vacuum gripper

TXN

TXD

**TXC**

TXM

TXP

TXH

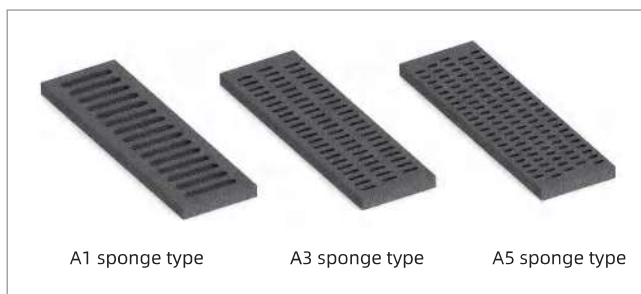
TXL

# TXC Series



## Vacuum Gripper -Vacuum Generator Standard Type

### Spare parts selection(mm)



Sponge type



Suction cup type

### Spare parts selection

Item	Model	Dimension mm
Sponge	TXC400-A1, TXC400-A3, TXC400-A5	434×130×20
	TXC600-A1, TXC600-A3, TXC600-A5	634×130×20
	TXC800-A1, TXC800-A3, TXC800-A5	834×130×20
	TXC1000-A1, TXC1000-A3, TXC1000-A5	1034×130×20
	TXC1200-A1, TXC1200-A3, TXC1200-A5	1234×130×20
Suction cup	TXC1400-A1, TXC1400-A3, TXC1400-A5	1434×130×20
	SPC30S	φ30
	SPC40S	φ40

◇ Note: Sponges are consumables in this product. Please replace it in time according to actual working conditions, otherwise, it will affect the adsorption effect.  
Operating temperature: - 10 ~ 60 °C, do not contact with strong acid, strong alkali and other corrosive gas or liquid, do not contact with sharp objects.