

TXH Series

Vacuum Gripper-Heavy Load Type



UNIVERSAL HEAVY LOAD

Features

- ◇ Large area structure design
- ◇ Vacuum source can be built-in vacuum generator or external blower
- ◇ Suction cup type and sponge type are optional for adsorption surface
- ◇ Built-in non-return valve structure

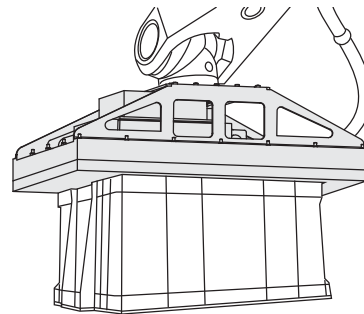
Advantages

- ◇ Large area adsorption structure, mainly used in high load working conditions
- ◇ Customers can select flexibly according to the actual working conditions
- ◇ Suitable for the handling of various industries
- ◇ It can meet the handling of different dimension workpieces



Applications

- ◇ Mainly used in heavy load sorting system, intelligent warehousing, stacking and unstacking, logistics, etc.



Vacuum gripper

- TXN
- TXD
- TXC
- TXM
- TXP
- TXH**
- TXL

How to order

①
②
③
④
⑤

TXH 500×700 - A - C - V

① Series	② Dimension	③ Adsorption surface type	④ Vacuum source	⑤ Non-return valve
TXH	500×700	A - Sponge	Nil - Without vacuum source	V-with non-return valve
	800×1000	B40 - Suction cup	C - With external vacuum generator	
	1100×1300			

Selection

Model/Adsorption surface type	A - Sponge	B40 - Suction cup
TXH500×700-□-C-V	TXH500×700-A-C-V	-
TXH800×1000-□-V	TXH800×1000-A-V	TXH800×1000-B40-V
TXH1100×1300-□-V	TXH1100×1300-A-V	TXH1100×1300-B40-V

TXH500×700-A-C-V



Vacuum Gripper-Heavy Load Type

Features

- ◇ Large area handling, heavy load application
- ◇ Built-in large flow vacuum generator, fast reaction time
- ◇ Built-in non-return valve structure, which can meet the handling of various dimension workpieces
- ◇ The adsorption surface is sponge
- ◇ Mainly used in sorting system, stacking and unstacking industry

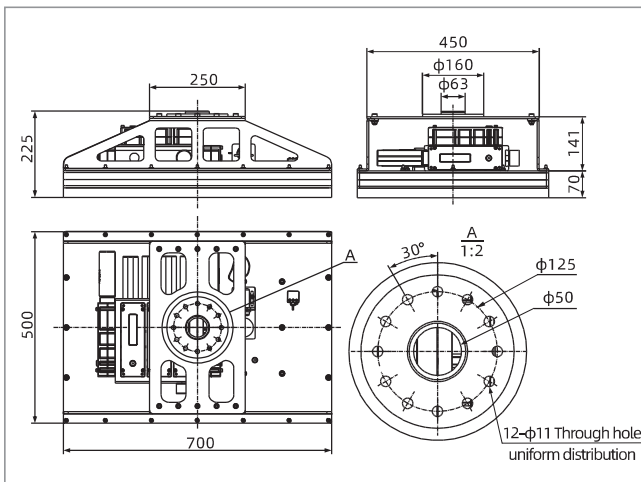


Technical parameters

Model	Rated air supply pressure bar	Max.vacuum level -kPa	Max.vacuum flow NL/min	Air consumption NL/min	Max.theoretical suction force N (-40kPa)	Mounting bracket	Weight kg	Recommended hose dia. mm Air supply port (P)
TXH500×700-A-C-V	6.0	85	3,710	2,300	1,440	with	36.5	φ16

- ◇ Note: 1. The detecting device includes 1 mechanical negative pressure gauge, 1 digital pressure gauge and 1 photoelectric inductive switch.
 2. The data of theoretical suction force as above are figured out in the condition that the gripper is fully covered by rigid airtight workpieces without considering safety factor.

Dimensions(mm)



TXH500×700-A-C-V

Spare parts selection

Item	Model	Dimension mm	Applicable vacuum gripper
Sponge	TXH500×700	500×700×25	TXH500×700-A-C-V

TXH500×700-A-V



Vacuum Gripper-Heavy Load Type

Features

- ◇ Applicable for packaging and logistics industry, such as box handling, stacking and unstacking. High quality sponge fits the uneven surface perfectly with the performance of long lifetime and good sealing. The vacuum source is external blower. It is equipped with built-in check valve and reversing valve control unit for blower. The vacuum detecting switch and approach switch are equipped as well to provide convenience for automatic control systems

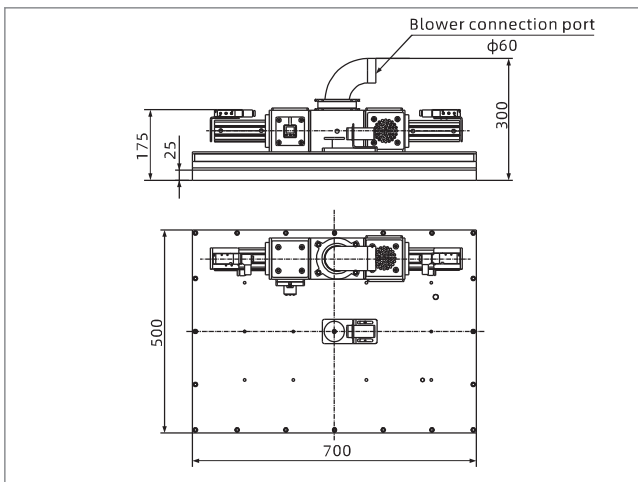


Technical parameters

Model	Max.theoretical suction force N (-40kPa)	Recommended blower flow m ³ /h	Working voltage of control unit V	Reverser for blower	Mounting bracket	Weight kg	Blower connection port dia. mm
TXH500×700-A-V	1,440	170	DC24V	with	without	36.5	φ60

- ◇ Note: 1. The detecting device includes 1 mechanical negative pressure gauge, 1 digital pressure gauge and 1 photoelectric inductive switch.
- 2. The data of theoretical suction force as above are figured out in the condition that the gripper is fully covered by rigid airtight workpieces without considering safety factor.

Dimensions(mm)



TXH500×700-A-V

Spare parts selection

Item	Model	Dimension mm	Applicable vacuum gripper
Sponge	TXH500×700	500×700×25	TXH500×700-A-V

Vacuum gripper

- TXN
- TXD
- TXC
- TXM
- TXP
- TXH**
- TXL

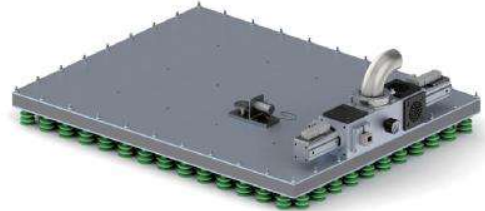
TXH800×1000-B40-V

Vacuum Gripper-Heavy Load Type



Features

- ◇ Applicable for packaging and logistics industry, such as box handling, stacking and unstacking. High quality sponge fits the uneven surface perfectly with the performance of long lifetime and good sealing. The vacuum source is external blower. It is equipped with built-in check valve and reversing valve control unit for blower. The vacuum detecting switch and approach switch are equipped as well to provide convenience for automatic control systems

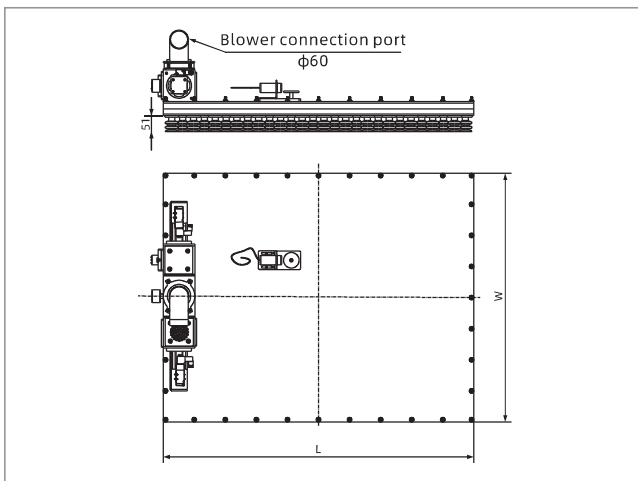


Technical parameters

Model	Max.theoretical suction force N (-40kPa)	Recommended blower flow m ³ /h	Working voltage of control unit V	Reverser for blower	Mounting bracket	Weight kg	Blower connection port dia. mm
TXH800×1000-B40-V	3,850	320	DC24V	with	without	56	φ60
TXH1100×1300-B40-V	5,200	520	DC24V	with	without	79	φ60

- ◇ Note: 1. The detecting device includes 1 mechanical negative pressure gauge, 1 digital pressure gauge and 1 photoelectric inductive switch.
- 2. The data of theoretical suction force as above are figured out in the condition that the gripper is fully covered by rigid airtight workpieces without considering safety factor.

Dimensions(mm)



Model/Size	W	L
TXH800×1000-B40-V	800	1,000
TXH1100×1300-B40-V	1,100	1,300

TXH800×1000-B40-V TXH1100×1300-B40-V

Spare parts selection

Item	Model	Dimension mm	Applicable vacuum gripper
Sponge	TXH800×1000	800×1000×25	TXH800×1000-A-V
	TXH1100×1300	1100×1300×25	TXH1100×1300-A-V
Suction cup	SPC40S	φ40	TXH800×1000-B40-V、TXH1100×1300-B40-V