

TXP Series

Vacuum Gripper-Oval Shaped



PACKAGING

Features

- ◇ The housing is made of high quality stainless steel
- ◇ External blower is used for vacuum source
- ◇ Large inside area structure

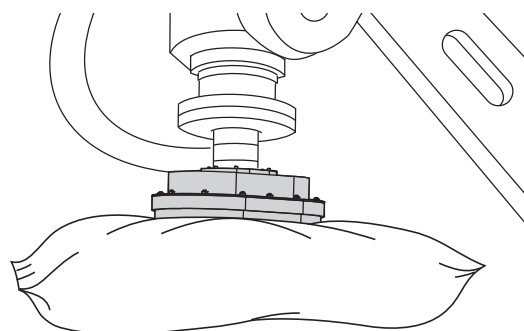
Advantages

- ◇ High strength, mainly used in high load working conditions
- ◇ Achieve stable and fast handling of products
- ◇ Maximize the suction force by increasing the adsorption area



Applications

- ◇ Mainly used for handling objects with large deformation, serious concave and convex surface and certain air permeability under high load conditions, such as flour bags, rice bags, cement bags and so on



Vacuum gripper

TXN

TXD

TXC

TXM

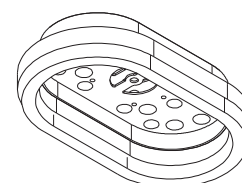
TXP

TXH

TXL

Structure

- ◇ The housing is made of stainless steel, and the flange mounting hole is reserved at the top
- ◇ Large area oval cavity structure design
- ◇ Foam rubber is used for adsorption with good sealing and long lifetime. The foam rubber can be purchased separately and replaced by users themselves



Flange mounting hole

Vacuum port

Adsorption surface

TXP Series



Vacuum Gripper-Oval Shaped

How to order

TXP 230×380 - A

① ② ③

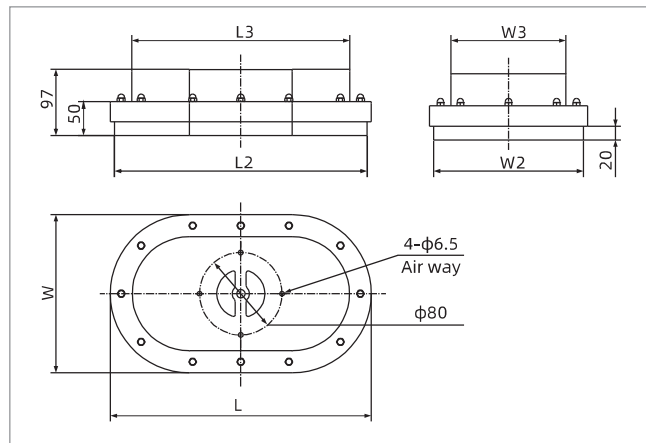
| ① Series | ② Dimension | ③ Adsorption surface type |
|----------|--------------------|---------------------------|
| TXP | 190×290 230×380 | A - Foam rubber |

Technical parameters

| Model | Recommended blower flow m ³ /h | Max.theoretical suction force N (-40kPa) | Weight kg | Recommended hose dia. of blower mm |
|--------------|---|--|-----------|------------------------------------|
| TXP190×290-A | 200 | 860 | 2.9 | φ60 |
| TXP230×380-A | 200 | 1,440 | 4.0 | φ60 |

◇ Note: The suction force in the above table is the theoretical suction force obtained under the condition that the vacuum gripper is fully covered by a rigid airtight workpiece, and without considering safety factor.

Dimensions(mm)



| Model/size | W | W2 | W3 | L | L2 | L3 |
|--------------|-----|-----|-----|-----|-----|-----|
| TXP190×290-A | 200 | 190 | 132 | 300 | 280 | 236 |
| TXP230×380-A | 228 | 220 | 164 | 378 | 360 | 314 |

TXP

Spare parts selection

| Item | Model | Applicable vacuum gripper |
|-------------|--------|---------------------------|
| Foam rubber | TXP190 | TXP190×290-A |
| | TXP230 | TXP230×380-A |