

ZPMR Series

Mechanical Pressure Gauge



UNIVERSAL

Features

- ◇ Mechanical pressure gauge, panel is made of acrylic, and ABS black plastic for housing
- ◇ Back entry type mounting, universal specifications, easy to use



How to order

ZPMR - P

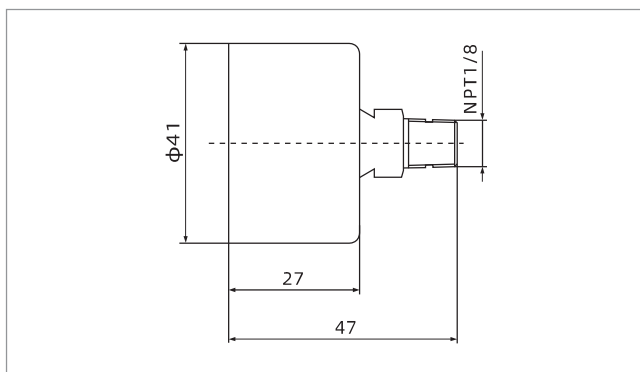
① ②

① Series	② Pressure type	Connection thread
ZPMR	P - Positive V - Negative	NPT1/8 male thread G1/8 male thread

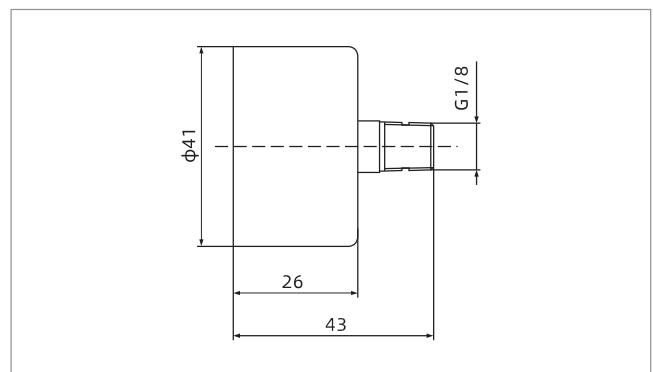
Technical parameters

Model	Pressure range	Dial size	Material of connector	Connection thread	Weight g
ZPMR-P	0~1MPa	1.5 inch	Copper alloy	NPT1/8	63.5
ZPMR-V	-100~0kPa	1.5 inch	Copper alloy	G1/8	57

Dimensions (mm)



ZPMR-P



ZPMR-V