

ZVEA Series

Electric Control Valve



UNIVERSAL

Features

- ◇ The small valve (normally closed) can realize remote control of high flow compressed air and can supply compressed air when the current is switched



How to order

ZVEA - G1F

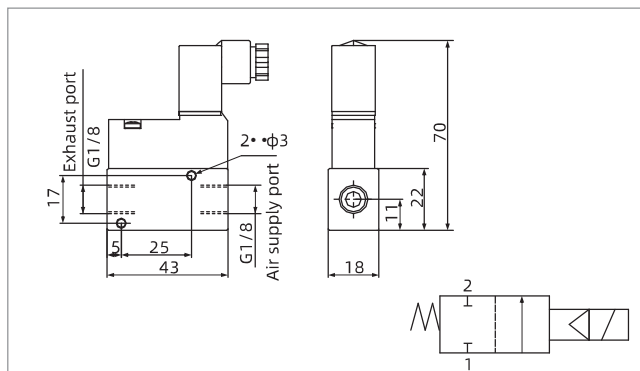
① ②

| ① Series | ② Connection thread |
|----------|--|
| ZVEA | G1F - G1/8 female thread G2F - G1/4 female thread |

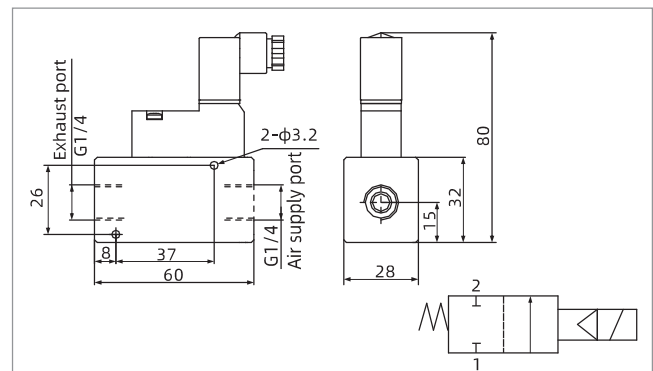
Technical parameters

| Model | Air supply pressure bar | Valve body material | Output function | Operating voltage V | Consumed power W | Working temperature °C | Weight g |
|----------|-------------------------|---------------------|-----------------|---------------------|------------------|------------------------|----------|
| ZVEA-G1F | 3.5~7.0 | Aluminum alloy | NC | DC24 | 0.85 | 0~60 | 84 |
| ZVEA-G2F | 3.5~7.0 | Aluminum alloy | NC | DC24 | 0.85 | 0~60 | 165 |

Dimensions (mm)



ZVEA-G1F



ZVEA-G2F

Vacuum Accessories

ZFA

ZFE

ZFD

ZFB

ZFL

ZFP

ZVAB

ZVAC

ZVAA

ZVEA

ZVR

ZVRM

ZVCM

ZVD

ZVT

ZVS

ZPDT

ZPDE

ZPMR

ZSA